



Low Power - Peak & Hold Low Temperature Gas Shutoff Valve (DC)

Stainless Steel Body • 1/4" to 1" NPT

2-Way Normally Closed

2/2
SERIES
HV427246
HV427371
HV298568

Features

- Peak and hold design for low power consumption
- Ambient temperature range; -40°F to 125°F (-40°C to 52°C)
- Zero minimum differential pressure
- Maximum operating pressure differential up to 50 psi
- Robust design provides consistent and reliable operation
- Meets Automatic Gas Valves Z21.21, CSA 6.5 C/I Safety Shutoff standard
- Complies with ANSI/ISA-12.27.01.2003 single seal requirements
- Meets the metallurgical requirements of NACE MR-0175
- Resilient soft seating for tight shutoff
- For on-off control of fuel gas in commercial and industrial gas burners

Fluid: Fuel Gas

Construction

Valve Parts in Contact with Fluids	
Body	304 Stainless Steel
Seals and Disc	Low Temp. NBR (1/2", 3/4") Low Temp. FKM (1/4", 3/8", 1")
Diaphragm	Low Temp. NBR (1/2", 3/4") Low Temp. HNBR (1")
Core Tube	305 Stainless Steel
Core and Plugnut	430F Stainless Steel
Springs	Inconel
Rider Ring	PTFE

Electrical

Standard Coil and Class of Insulation	Watt Rating (DC)		Hold PWM Duty Cycle (@ 500-2000 Hz)	Ambient Temp. °F (°C)	Spare Coil Family
	Peak Watts	Hold Watts			Explosionproof
H	10.6	0.85 ①	29%	-40 to 125°F (-40 to 52°C)	238514
	10.6	1.40 ①	37%		238514
	11.6	0.5 ①	21%		238914
F	23.6	0.85 ①	19%		501696

Standard Voltages: 12, 24VDC

① Peak and hold design requires full line voltage for 0.2 to 0.5 seconds to open valve; then refer to the specified Hold PWM Duty Cycle in the above table.

External PWM controller required; Consult factory for additional information.

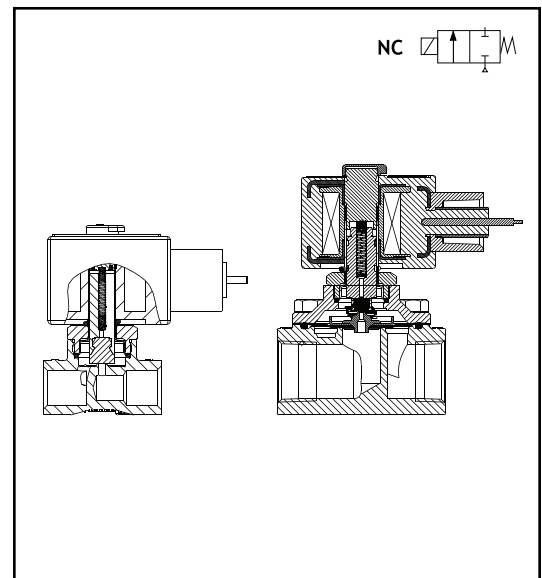
IMPORTANT: Supervisory and leakage current above .010 amp will cause improper operation. Consult your local ASCO sales office for additional assistance.

Solenoid Enclosures

Explosionproof & Watertight, Types 3, 3S, 4, 4X, 6, 6P, 7, and 9.

Leads

Standard: 72" leads



Approvals

CSA Certified:

- 1) Solenoid (for HV427246 & HV427371 Series DC Constructions), and valve (HV298568 DC Construction) for Hazardous Locations, File 013976.
- 2) Automatic Gas Valves Z21.21, CSA 6.5 C/I Safety Shutoff, File 112872.
- 3) Standard C22.2 No. 139 "Electrically Operated Valves", File 112872.
- 4) ANSI/ISA-12.27.01.2003 Single Seal.
Consult factory for Canadian Registration Numbers (CRN).
UL Listed Explosionproof Solenoid.
(for HV427246 & HV427371 Series DC Constructions)

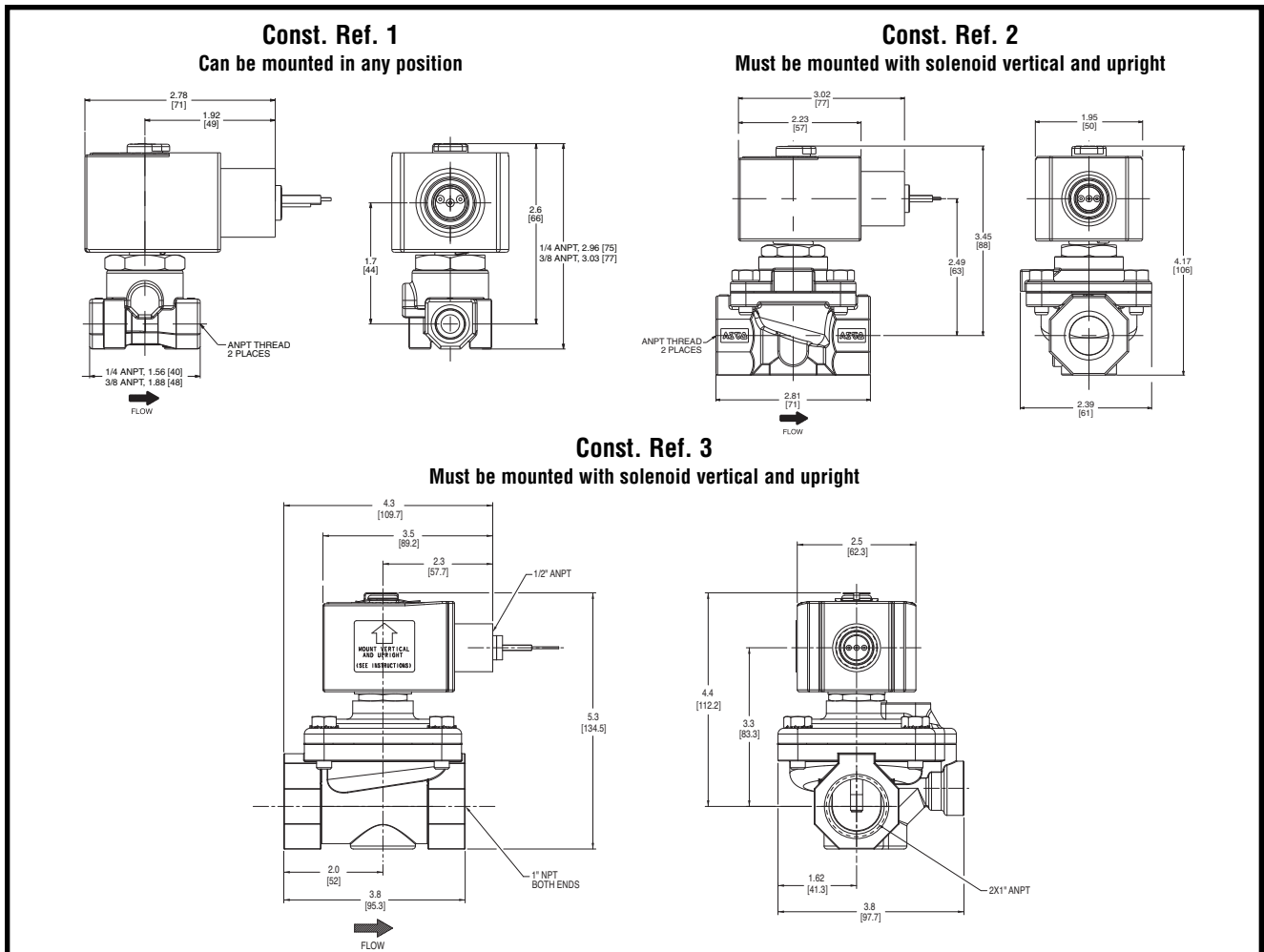
COMBUSTION

Specifications

Pipe Size (in)	Orifice Size (in)	Cv Flow	Gas Capacity		Operating Pressure Differential (psi) ④		Fluid Temp. Range °F (°C) ③	Catalog Number	Voltage	Const. Ref.	Agency		Wattage
			Btu/hr. ①	Btu/hr. ②	Min.	Max.					UL	CSA	
COMBUSTION (Fuel Gas) - Normally Closed (Closed when de-energized)													
1/4	5/32	0.52	27,000	410,000	0	50	-40 to 125°F (-40 to 52°C)	HV427246001	12 VDC	1	<input type="checkbox"/>	<input type="checkbox"/>	10.6
								HV427246002	24 VDC		<input type="checkbox"/>	<input type="checkbox"/>	
3/8	7/32	0.82	44,000	527,000	0	35	-40 to 125°F (-40 to 52°C)	HV427246101	12 VDC	2	<input type="checkbox"/>	<input type="checkbox"/>	11.6
								HV427246102	24 VDC		<input type="checkbox"/>	<input type="checkbox"/>	
1/2	5/8	4.3	231,900	3,529,000	0	50	14 to 125°F (-10 to 52°C)	HV427371001	12 VDC	2	<input type="checkbox"/>	<input type="checkbox"/>	11.6
								HV427371002	24 VDC		<input type="checkbox"/>	<input type="checkbox"/>	
3/4	5/8	4.5	242,600	3,693,000	0	50	14 to 125°F (-10 to 52°C)	HV427371101	12 VDC	2	<input type="checkbox"/>	<input type="checkbox"/>	11.6
								HV427371102	24 VDC		<input type="checkbox"/>	<input type="checkbox"/>	
1	1	13	701,000	8,268,480	0	50	14 to 125°F (-10 to 52°C)	HV298568011	12 VDC	3	<input type="checkbox"/>	<input type="checkbox"/>	23.6
								HV298568012	24 VDC		<input type="checkbox"/>	<input type="checkbox"/>	

○ = Safety Shutoff Valve. □ = UL Listed Hazardous Location, solenoid only. ① 1" W.C. Drop @ 2" W.C. Inlet Pressure, 1,000 Btu/cu.ft. or more, 0.64 Specific Gravity Gas.
 ② 10% of MOPD pressure drop @ 25% of MOPD inlet pressure, 1,000 Btu/cu.ft. or more, 0.64 Specific Gravity Gas (based on CSA 6.5).
 ③ Dewpoint - To prevent freezing of condensed water vapor in the valve, the fuel gas must have a dewpoint at least 10°C (18°F) below the minimum temperature to which any point of the system will be exposed.
 ④ Safe Working Pressure (SWP); 100 psi. is the line or system pressure to which the valve may be subjected without being damaged. To ensure proper operation, the Maximum Operating Pressure Differential (MOPD) stamped on nameplate must be adhered to.

Dimensions: inches [mm]



COMBUSTION