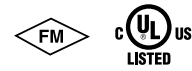


Gate Valves



- SERIES 771H OS&Y GROOVE x GROOVE
- SERIES 772H NRS GROOVE x GROOVE
- SERIES 771F OS&Y GROOVE x FLANGE
- SERIES 772F NRS GROOVE x FLANGE
- SERIES 773 WALL POST INDICATOR
- SERIES 774 UPRIGHT POST INDICATOR

The Series 771H OS&Y and Series 771F OS&Y gate valves are used when positive shut off is required and a quick visual indicator of open/closed position is required. The Series 772H NRS and Series 772F NRS gate valves are typically used for shut-off service where the valve is operated remotely, such as when the valve is behind a wall or buried. Series 772H NRS and Series 772F NRS gate valves are offered with optional wall (Series 773) or upright (Series 774) post indicators.



SERIES 771H



SERIES 772H



SERIES 774



SERIES 771F



SERIES 772F



SERIES 773

MATERIAL SPECIFICATIONS

Series 771 OS & Y and 772 NRS Gate Valves

Body: Ductile iron conforming to ASTM A-536 grade 65-45-12

Body Gasket: EPDM

Body Bolts: Plated Steel w/ Plastic Covers

Handwheel:

OS & Y Yoke (Series 771 only): Ductile iron conforming to ASTM A-536 grade 65-45-12

Bonnet: Ductile iron conforming to ASTM A536 grade 65-45-12

Bonnet/Body Coating: Fusion bonded Epoxy coating

Gate: Cast iron, EPDM coated

Gate Nut: Bronze, conforming to ASTM B62

Stem: Brass, ASTM B16

Continued on page 2.

JOB/OWNER

System No. _____

Location _____

CONTRACTOR

Submitted By _____

Date _____

ENGINEER

Spec Sect _____ Para _____

Approved _____

Date _____

Gate Valves

SERIES 771H OS&Y GROOVE x GROOVE
 SERIES 772H NRS GROOVE x GROOVE
 SERIES 771F OS&Y GROOVE x FLANGE
 SERIES 772F NRS GROOVE x FLANGE
 SERIES 773 WALL POST INDICATOR
 SERIES 774 UPRIGHT POST INDICATOR

MATERIAL SPECIFICATIONS

Continued from page 1

O-Ring Seals: EPDM

Optional:

- **Indicator Post Flange:** Ductile iron conforming to ASTM A-536 grade 65-45-12 available for NRS valves only

Series 773 & 774 Indicators

Target Frame: Bronze conforming to ASTM B62

Window: Polycarbonate

Series 773 Wall Post Indicator:

Body: Cast iron conforming to ASTM A-126-B

Operating Stem: Bronze conforming to ASTM B62

Operating Rod: Carbon steel

Series 774 Upright Indicators:

Body: Cast iron conforming to ASTM A-126-B

Extension Sleeve: Cast iron conforming to ASTM A-126-B

CERTIFICATIONS/LISTINGS

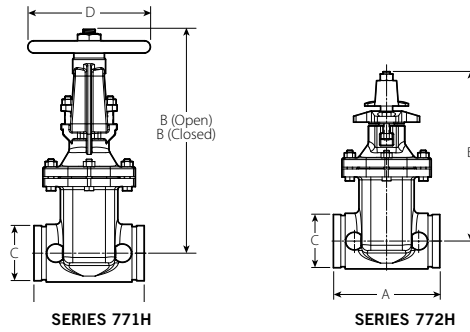
| Inches DN | Series 771H | | Series 772H | | Series 771F | | Series 772F | |
|--------------|------------------|------------------|------------------|------------------|------------------|------------------|------------------|------------------|
| | cULus | FM | cULus | FM | cULus | FM | cULus | FM |
| 2½ DN65 | 250 psi/1725 kPa | 250 psi/1725 kPa | 250 psi/1725 kPa | 250 psi/1725 kPa | 250 psi/1725 kPa | 250 psi/1725 kPa | 250 psi/1725 kPa | 250 psi/1725 kPa |
| 76.1 mm | 250 psi/1725 kPa | 250 psi/1725 kPa | 250 psi/1725 kPa | 250 psi/1725 kPa | 250 psi/1725 kPa | 250 psi/1725 kPa | 250 psi/1725 kPa | 250 psi/1725 kPa |
| 3 DN80 | 250 psi/1725 kPa | 250 psi/1725 kPa | 250 psi/1725 kPa | 250 psi/1725 kPa | 250 psi/1725 kPa | 250 psi/1725 kPa | 250 psi/1725 kPa | 250 psi/1725 kPa |
| 4 DN100 | 250 psi/1725 kPa | 250 psi/1725 kPa | 250 psi/1725 kPa | 250 psi/1725 kPa | 250 psi/1725 kPa | 250 psi/1725 kPa | 250 psi/1725 kPa | 250 psi/1725 kPa |
| 165.1 mm | 250 psi/1725 kPa | 250 psi/1725 kPa | 250 psi/1725 kPa | 250 psi/1725 kPa | 250 psi/1725 kPa | 250 psi/1725 kPa | 250 psi/1725 kPa | 250 psi/1725 kPa |
| 6 DN150 | 250 psi/1725 kPa | 250 psi/1725 kPa | 250 psi/1725 kPa | 250 psi/1725 kPa | 250 psi/1725 kPa | 250 psi/1725 kPa | 250 psi/1725 kPa | 250 psi/1725 kPa |
| 8 DN200 | 250 psi/1725 kPa | 250 psi/1725 kPa | 250 psi/1725 kPa | 250 psi/1725 kPa | 250 psi/1725 kPa | 250 psi/1725 kPa | 250 psi/1725 kPa | 250 psi/1725 kPa |
| 10 DN250 | 250 psi/1725 kPa | 250 psi/1725 kPa | 250 psi/1725 kPa | 250 psi/1725 kPa | 250 psi/1725 kPa | 250 psi/1725 kPa | 250 psi/1725 kPa | 250 psi/1725 kPa |
| 12 DN300 | 250 psi/1725 kPa | 250 psi/1725 kPa | 250 psi/1725 kPa | – | 250 psi/1725 kPa | – | 250 psi/1725 kPa | – |
| 14 DN350 | 250 psi/1725 kPa | – | 250 psi/1725 kPa | – | 250 psi/1725 kPa | – | 250 psi/1725 kPa | – |
| 16 DN400 | 250 psi/1725 kPa | – | 250 psi/1725 kPa | – | 250 psi/1725 kPa | – | 250 psi/1725 kPa | – |

Gate Valves

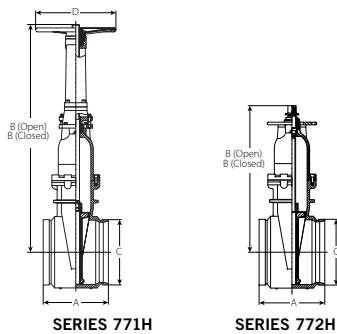
- SERIES 771H OS&Y GROOVE x GROOVE
- SERIES 772H NRS GROOVE x GROOVE
- SERIES 771F OS&Y GROOVE x FLANGE
- SERIES 772F NRS GROOVE x FLANGE
- SERIES 773 WALL POST INDICATOR
- SERIES 774 UPRIGHT POST INDICATOR

DIMENSIONS

Series 771H OS&Y and Series 772H Grooved x Grooved



| Size | | Dimensions – Inches/mm | | | | | | Approx. Weight Each Lbs./kg | |
|------------------------|-------------------------------|------------------------|----------------------|----------------|----------------------|----------------|--------------|-----------------------------|-----------------|
| Nominal Size Inches DN | Actual Outside Dia. Inches mm | A | Series 771H Height B | | Series 772H Height B | C | D | Series 771H | Series 772H |
| | | | Closed | Open | | | | | |
| 2½ DN65 | 2.88 73.0 | 7.500 190.5 | 16.18 411 | 18.74 476 | 11.02 280 | 2.88 73 | 7.87 200 | 31.5 14.3 | 22.05 10 |
| 76.1 mm | 3.00 76.1 | 7.500 190.5 | 16.18 411 | 19.18 487.1 | 11.02 280 | 3.00 76.1 | 7.87 200 | 31.5 14.3 | 22.05 10 |
| 3 DN80 | 3.50 88.9 | 7.992 203 | 17.09 434 | 20.34 514 | 12.21 310 | 3.50 88.9 | 7.87 200 | 39.3 17.8 | 29.77 13.5 |
| 4 DN100 | 4.50 114.3 | 9.016 229 | 18.11 460 | 22.05 560 | 13.58 345 | 4.50 114.3 | 10.24 260 | 55.4 25.1 | 39.69 18 |
| 165.1 mm | 6.50 165.1 | 10.512 267 | 23.90 607 | 30.40 772.1 | 17.13 435 | 6.50 165.1 | 12.40 315 | 104.8 47.5 | 81.13 36.8 |
| 6 DN150 | 6.63 168.3 | 10.512 267 | 23.90 607 | 29.80 757 | 17.13 435 | 6.63 168.3 | 12.40 250 | 104.8 47.5 | 81.13 36.8 |
| 8 DN200 | 8.63 219.1 | 11.496 292 | 28.59 726 | 36.46 926 | 20.12 511 | 8.63 219.1 | 14.76 375 | 174.0 78.9 | 134.49 61 |
| 10 DN250 | 10.75 273 | 12.992 330 | 35.04 890 | 44.88 1140 | 24.02 610 | 10.75 273 | 16.38 416 | 262.4 119 | 194.00 88 |
| 12 DN300 | 12.75 323.9 | 14.016 356 | 40.12 1019 | 51.93 1319 | 27.68 703 | 12.75 323.9 | 17.52 445 | 392.9 178.2 | 310.41 140.8 |



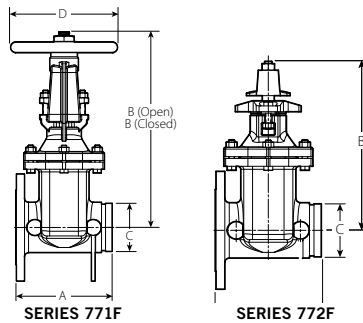
| Size | | Dimensions – Inches/mm | | | | | | Approx. Weight Each Lbs./kg | |
|------------------------|-------------------------------|------------------------|----------------------|---------------|----------------------|--------------|--------------|-----------------------------|--------------|
| Nominal Size Inches DN | Actual Outside Dia. Inches mm | A | Series 771H Height B | | Series 772H Height B | C | D | Series 771H | Series 772H |
| | | | Closed | Open | | | | | |
| 14 DN350 | 14.000 355.6 | 15.00 381 | 53.00 1346 | 66.75 1695 | 32.50 826 | 14.00 356 | 19.63 498 | 586.0 266 | 492.0 223 |
| 16 DN400 | 16.000 406.4 | 16.00 406 | 55.88 1419 | 71.63 1819 | 36.00 914 | 16.00 406 | 19.63 498 | 776.0 352 | 667.0 307 |

Gate Valves

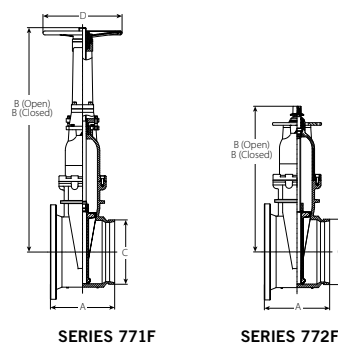
- SERIES 771H OS&Y GROOVE x GROOVE
- SERIES 772H NRS GROOVE x GROOVE
- SERIES 771F OS&Y GROOVE x FLANGE
- SERIES 772F NRS GROOVE x FLANGE
- SERIES 773 WALL POST INDICATOR
- SERIES 774 UPRIGHT POST INDICATOR

DIMENSIONS

Series 771F OS&Y and Series 772F Flanged x Grooved come standard with an ANSI Class 150 flange. Other sizes are available. Contact Victaulic for details.



| Size | | Dimensions – Inches/mm | | | | | | Approx. Weight Each Lbs./kg | |
|-----------------------|-------------------------------|------------------------|----------------------|----------------|----------------------|----------------|--------------|-----------------------------|---------------|
| Nomial Size Inches DN | Actual Outside Dia. Inches mm | A | Series 771F Height B | | Series 772F Height B | C | D | Series 771F | Series 772F |
| | | | Closed | Open | | | | | |
| 2 1/2 DN65 | 2.88 73 | 7.500 190.5 | 16.18 411 | 18.74 476 | 11.02 280 | 2.88 73 | 7.87 200 | 38.14 17.3 | 30.43 13.8 |
| 76.1 mm | 3.00 76.1 | 7.500 190.5 | 16.18 411 | 19.18 487.1 | 11.02 280 | 3.00 76.1 | 7.87 200 | 38.14 17.3 | 30.43 13.8 |
| 3 DN80 | 3.50 88.9 | 7.992 203 | 17.09 434 | 20.34 514 | 12.21 310 | 3.50 88.9 | 7.87 200 | 48.06 21.8 | 37.48 17 |
| 4 DN100 | 4.50 114.3 | 9.016 229 | 18.11 460 | 22.05 560 | 13.58 345 | 4.50 114.3 | 10.24 260 | 70.55 32 | 52.91 24 |
| 165.1 mm | 6.50 165.1 | 10.512 267 | 23.90 607 | 30.40 772.1 | 17.13 435 | 6.50 165.1 | 12.40 315 | 121.26 55 | 94.80 43 |
| 6 DN150 | 6.63 168.3 | 10.512 267 | 23.90 607 | 29.80 757 | 17.13 435 | 6.63 168.3 | 12.40 250 | 121.26 55 | 94.80 43 |
| 8 DN200 | 8.63 219.1 | 11.496 292 | 28.59 726 | 36.46 926 | 20.12 511 | 8.63 219.1 | 14.76 375 | 196.22 89 | 158.74 72 |
| 10 DN250 | 10.75 273 | 12.992 330 | 35.04 890 | 44.88 1140 | 24.02 610 | 10.75 273 | 16.38 416 | 310.86 141 | 253.54 115 |
| 12 DN300 | 12.75 323.9 | 14.016 356 | 40.12 1019 | 51.93 1319 | 27.68 703 | 12.75 323.9 | 17.52 445 | 449.75 204 | 376.99 171 |



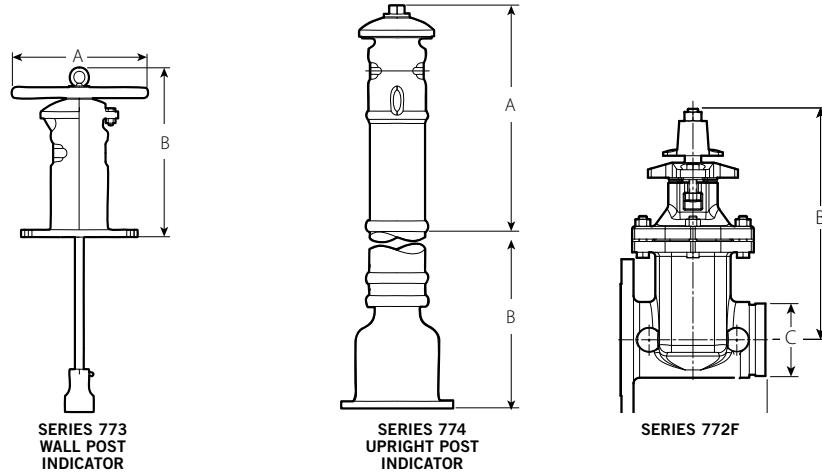
| Nomial Size Inches DN | Actual Outside Dia. Inches mm | A | Series 771F Height B | | Series 772F B | C | D | Series 771F | Series 772F |
|-----------------------|-------------------------------|--------------|----------------------|---------------|---------------|--------------|--------------|--------------|--------------|
| | | | Closed | Open | | | | | |
| 14 DN350 | 14.000 355.6 | 15.00 381 | 53.00 1346 | 66.75 1695 | 32.50 826 | 14.00 356 | 19.63 498 | 642.0 291 | 547.0 248 |
| 16 DN400 | 16.000 406.4 | 16.00 406 | 55.88 1419 | 71.63 1819 | 36.00 914 | 16.00 406 | 19.63 498 | 847.0 384 | 747.0 339 |

Gate Valves

- SERIES 771H OS&Y GROOVE x GROOVE
- SERIES 772H NRS GROOVE x GROOVE
- SERIES 771F OS&Y GROOVE x FLANGE
- SERIES 772F NRS GROOVE x FLANGE
- SERIES 773 WALL POST INDICATOR
- SERIES 774 UPRIGHT POST INDICATOR

DIMENSIONS

Series 773 Wall Post Indicator
 Series 774 Upright Post Indicator



| Post Indicator | Dimensions – Inches/millimeters | | | Approx. Weight Ea. |
|--------------------|---------------------------------|----------------|---------------|--------------------|
| | A | B-min. | B-max. | Lbs. kg |
| Series 773 Wall | 14.00 356 | 15.54 394.6 | — | 127.8 58.0 |
| Series 774 Upright | 39.92 1014 | 21.65 550 | 61.42 1560 | 163.0 74.0 |

| Post Indicator – Typical Dimensions (For Upright & Wall) Inches/mm | | |
|---|---|-------------------------------------|
| Nominal Size Inches DN | C Dimension from Centerline to Top of the Operating Nut | Approximate No. of Turns to Open |
| 2½ DN65 | 11.58 298 | 9 |
| 76.1 mm | 11.58 298 | 9 |
| 3 DN80 | 12.92 328 | 10 |
| 4 DN100 | 14.29 363 | 13 |
| 6 DN150 | 17.13 453 | 16 |
| 165.1 mm | 17.13 453 | 16 |
| 8 DN200 | 20.83 529 | 17 |
| 10 DN250 | 24.73 628 | 21 |
| 12 DN300 | 28.39 721 | 26 |

NOTE: Series 772H and Series 772F NRS Gate Valves must be equipped with a mounting plate if used with the Series 774 Upright Post Indicator. Contact Victaulic for details.

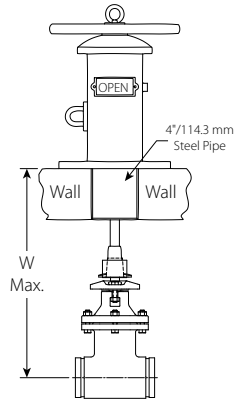
Series 773 and Series 774 Post Indicators are intended for use on NRS valves only.

Gate Valves

- SERIES 771H OS&Y GROOVE x GROOVE
- SERIES 772H NRS GROOVE x GROOVE
- SERIES 771F OS&Y GROOVE x FLANGE
- SERIES 772F NRS GROOVE x FLANGE
- SERIES 773 WALL POST INDICATOR
- SERIES 774 UPRIGHT POST INDICATOR

DIMENSIONS

Series 773 Wall Post Indicator
 Maximum Distance from Exterior Wall
 Surface



| Size | | Maximum Distance from Exterior of Wall |
|------------------------|-------------------------------|--|
| Nominal Size Inches DN | Actual Outside Dia. Inches mm | Inches mm |
| | | W Maximum |
| 2½ DN65 | 2.875 73.0 | 33.0 838 |
| 3 DN80 | 3.500 88.9 | 36.9 936 |
| 4 DN100 | 4.500 114.3 | 37.3 948 |
| 165.1 mm | 6.500 165.1 | 41.3 1048 |
| 6 DN150 | 6.625 168.3 | 41.3 1048 |
| 8 DN200 | 8.625 219.1 | 44.7 1135 |
| 10 DN250 | 10.750 273.0 | 48.6 1235 |
| 12 DN300 | 12.750 323.9 | 52.1 1324 |

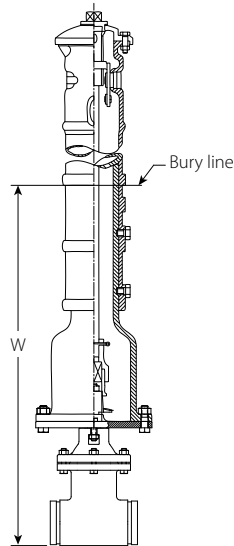
NOTE: Dimensions given are for standard rod length. Greater distances may be achieved. Contact Victaulic for details.

Gate Valves

- SERIES 771H OS&Y GROOVE x GROOVE
- SERIES 772H NRS GROOVE x GROOVE
- SERIES 771F OS&Y GROOVE x FLANGE
- SERIES 772F NRS GROOVE x FLANGE
- SERIES 773 WALL POST INDICATOR
- SERIES 774 UPRIGHT POST INDICATOR

DIMENSIONS

Series 774 Upright Post Indicator
Bury Depth



| Size | | W Bury Depth Inches mm | |
|------------------------------|-------------------------------------|------------------------------|---------------|
| Nominal Size Inches DN | Actual Outside Dia. Inches mm | Minimum | Maximum |
| 2½ DN65 | 2.875 73.0 | 31.23 793 | 71 1803 |
| 3 DN80 | 3.500 88.9 | 32.57 827 | 72.34 1837 |
| 4 DN100 | 4.500 114.3 | 33.94 862 | 73.71 1872 |
| 165.1 mm | 6.500 165.1 | 36.78 934 | 76.55 1944 |
| 6 DN150 | 6.625 168.3 | 36.78 934 | 76.55 1944 |
| 8 DN200 | 8.625 219.1 | 40.48 1028 | 80.25 2038 |
| 10 DN250 | 10.750 273.0 | 44.38 1127 | 84.15 2137 |
| 12 DN300 | 12.750 323.9 | 48.04 1220 | 87.81 2230 |

Gate Valves

SERIES 771H OS&Y GROOVE x GROOVE
 SERIES 772H NRS GROOVE x GROOVE
 SERIES 771F OS&Y GROOVE x FLANGE
 SERIES 772F NRS GROOVE x FLANGE
 SERIES 773 WALL POST INDICATOR
 SERIES 774 UPRIGHT POST INDICATOR


WARRANTY

Refer to the Warranty section of the current Price List or contact Victaulic for details.

NOTE

This product shall be manufactured by Victaulic or to Victaulic specifications. All products to be installed in accordance with current Victaulic installation/assembly instructions. Victaulic reserves the right to change product specifications, designs and standard equipment without notice and without incurring obligations.

⚠ WARNING



- Read and understand all instructions before attempting to install any Victaulic products.
- Always verify that the piping system has been completely depressurized and drained immediately prior to installation, removal, adjustment, or maintenance of any Victaulic products.
- Wear safety glasses, hardhat, and foot protection.

Failure to follow these instructions could result in death or serious personal injury and property damage.

- These products shall be used only in fire protection systems that are designed and installed in accordance with current, applicable National Fire Protection Association (NFPA 13, 13D, 13R, etc.) standards, or equivalent standards, and in accordance with applicable building and fire codes. These standards and codes contain important information regarding protection of systems from freezing temperatures, corrosion, mechanical damage, etc.
- The installer shall understand the use of this product and why it was specified for the particular application.
- The installer shall understand common industry safety standards and potential consequences of improper product installation.
- It is the system designer's responsibility to verify suitability of materials for use with the intended fluid media within the piping system and external environment.
- The material specifier shall evaluate the effect of chemical composition, pH level, operating temperature, chloride level, oxygen level, and flow rate on materials to confirm system life will be acceptable for the intended service.

Failure to follow installation requirements and local and national codes and standards could compromise system integrity or cause system failure, resulting in death or serious personal injury and property damage.

For complete contact information, visit www.victaulic.com

10.92 3003 REV G UPDATED 04/2021

VICTAULIC IS A REGISTERED TRADEMARK OF VICTAULIC COMPANY. © 2021 VICTAULIC COMPANY. ALL RIGHTS RESERVED.

10.92_8