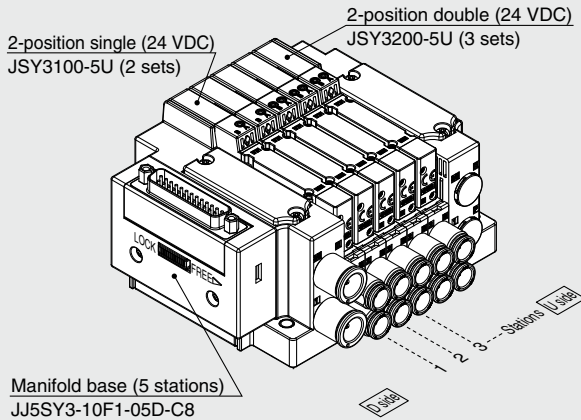


## How to Order Manifold Assembly

### Example (JJ5SY3-10F1-□)



JJ5SY3-10F1-05D-C8 ... 1 set (Type 10 5-station manifold base part no.)  
 \* JSY3100-5U ..... 2 sets (2-position single part no.)  
 \* JSY3200-5U ..... 3 sets (2-position double part no.)

→ The asterisk denotes the symbol for the assembly.  
 Prefix it to the part numbers of the valve, etc.

- The valve arrangement is numbered as the 1st station from the D side.
- Under the manifold part number, state the valves to be mounted in order from the 1st station as shown in the figure. If the arrangement becomes complicated, specify on a manifold specification sheet.

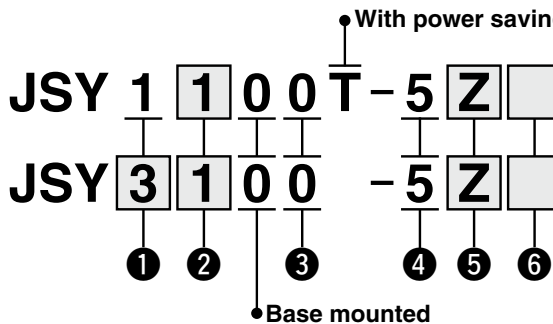
Internal Pilot

## How to Order Valves (With mounting screw)

Refer to page 11 for valve specifications.

### JSY1000 Series

### JSY3000/5000 Series



**Made to Order**  
 (Refer to page 114 for details.)

| Specification  |
|--|
| With power saving circuit<br>(Continuous duty type):<br>0.1 W (JSY3000/5000) |
| External pilot   |

#### 1 Series

|   |         |
|---|---------|
| 1 | JSY1000 |
| 3 | JSY3000 |
| 5 | JSY5000 |

#### 3 Pilot valve exhaust method

|   |                                |
|---|--------------------------------|
| 0 | Pilot valve individual exhaust |
|---|--------------------------------|

#### 4 Rated voltage

|   |        |
|---|--------|
| 5 | 24 VDC |
|---|--------|

#### 2 Type of actuation

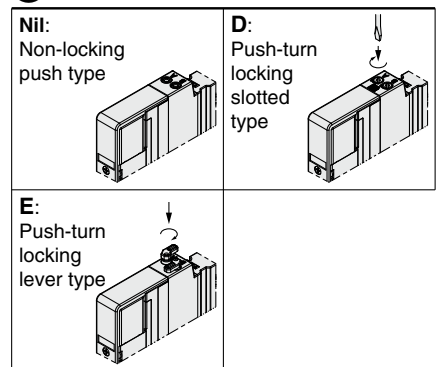
|   |             |                 |
|---|-------------|-----------------|
| 1 | 2-position  | Single          |
| 2 |             | Double          |
| 3 |             | Closed center   |
| 4 | 3-position  | Exhaust center  |
| 5 |             | Pressure center |
| A | 4-position  | N.C./N.C.       |
| B |             | N.O./N.O.       |
| C | dual 3-port | N.C./N.O.       |

#### 5 Light/surge voltage suppressor and common specification

| Symbol | With light | Surge voltage suppressor | Common specification |
|--------|------------|--------------------------|----------------------|
| U      |            |                          | Non-polar            |
| Z      | ●          | ●                        | Positive common      |
| NZ     |            |                          | Negative common      |

- \* Only "Z" and "NZ" types are available for the JSY1000 series.
- \* When non-polar common specification type is selected, take measures to prevent surge voltage. For details, refer to page 117.

#### 6 Manual override



\* Push-turn locking lever type "E" is not available for the JSY1000.

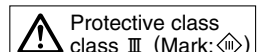
\* **When ordering a valve individually, the base gasket is not included.**

Since the base gasket is attached to the manifold, please order the base gasket separately if it is needed for maintenance service.

Refer to page 107 for base gasket and mounting screw part numbers.

### ⚠ Caution

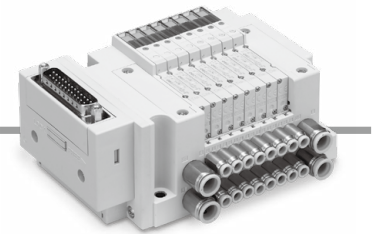
If the JSY3000/5000 series will be continuously energized, please be sure to use the power saving circuit (continuous duty type). Refer to Made to Order on page 114. Additionally, when it is used at the energizing rate over 50%, please select the product with power saving circuit. For the JSY1000 series only the power saving circuit is available.



# JSY1000/3000/5000 Series

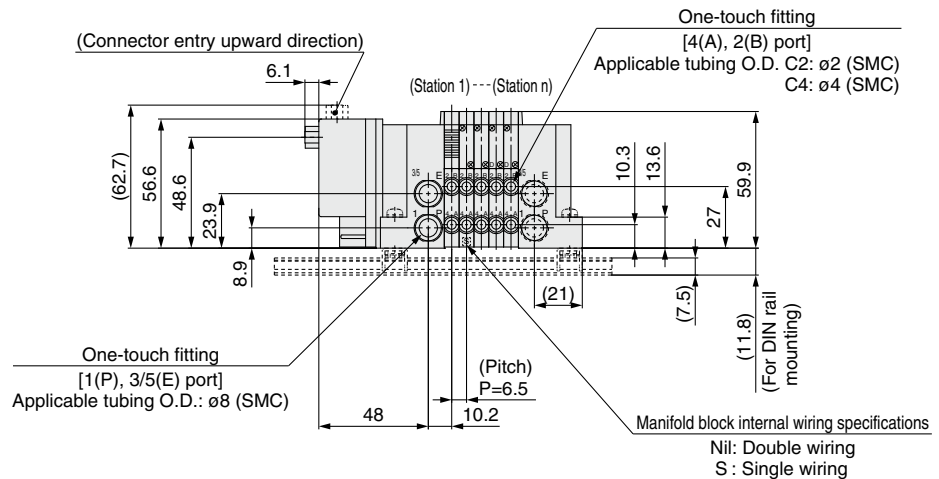
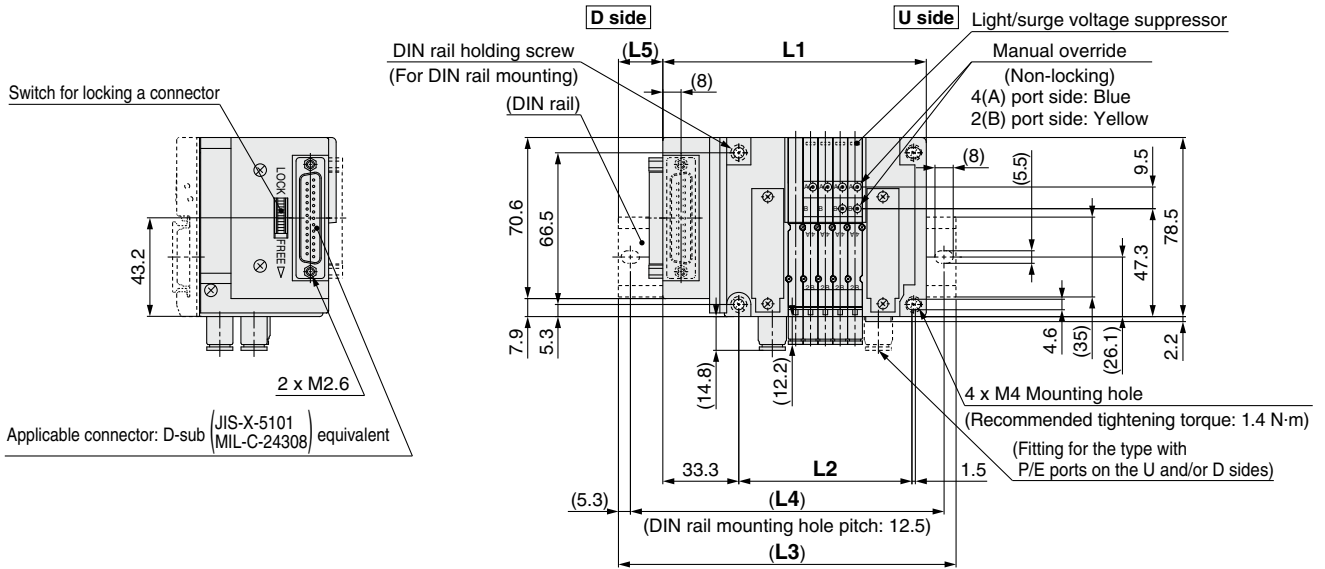
Type 10/Side Ported (Applicable to  $\phi 2$  and  $\phi 4$  fittings)

D-sub Connector (IP40/Connector Entry Direction Adjustable)



## Dimensions: JSY1000 Series

JJ5SY1-10F<sub>2</sub>- Stations  $\frac{U}{D}$ -C<sub>2</sub>(D)



- \* These figures show the "JJ5SY1-10F2-05D-C4."
- \* Refer to page 89 for dimensions of external pilot (Made to Order) and silencer.
- \* When CM is selected for mixed A, B port size and C6 (9 mm pitch) is included, refer to page 92 for dimensions.

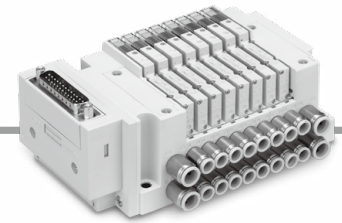
### L: Dimensions

n: Stations

| L \ n | 2     | 3     | 4     | 5     | 6     | 7     | 8     | 9     | 10    | 11    | 12    | 13    | 14    | 15    | 16    |
|-------|-------|-------|-------|-------|-------|-------|-------|-------|-------|-------|-------|-------|-------|-------|-------|
| L1    | 96    | 102.5 | 109   | 115.5 | 122   | 128.5 | 135   | 141.5 | 148   | 154.5 | 161   | 167.5 | 174   | 180.5 | 187   |
| L2    | 56.4  | 62.9  | 69.4  | 75.9  | 82.4  | 88.9  | 95.4  | 101.9 | 108.4 | 114.9 | 121.4 | 127.9 | 134.4 | 140.9 | 147.4 |
| L3    | 135.5 | 135.5 | 148   | 148   | 160.5 | 160.5 | 173   | 173   | 185.5 | 185.5 | 198   | 198   | 210.5 | 210.5 | 223   |
| L4    | 125   | 125   | 137.5 | 137.5 | 150   | 150   | 162.5 | 162.5 | 175   | 175   | 187.5 | 187.5 | 200   | 200   | 212.5 |
| L5    | 23    | 19.5  | 22.5  | 19.5  | 22.5  | 19    | 22    | 19    | 22    | 18.5  | 21.5  | 18.5  | 21.5  | 18    | 21    |

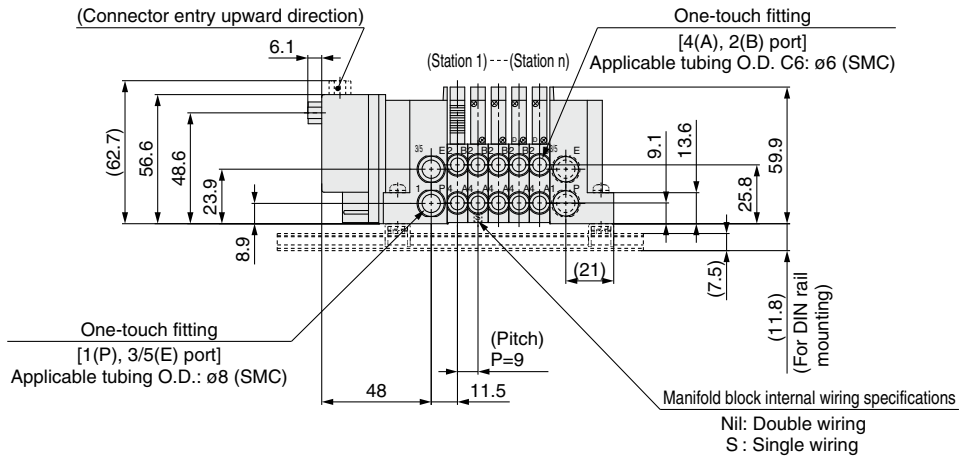
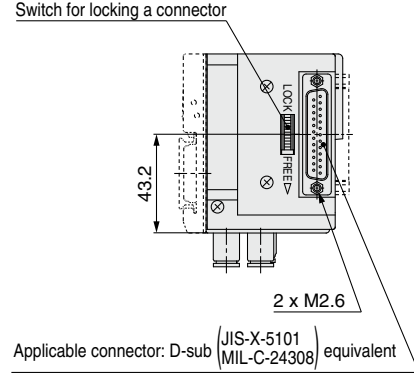
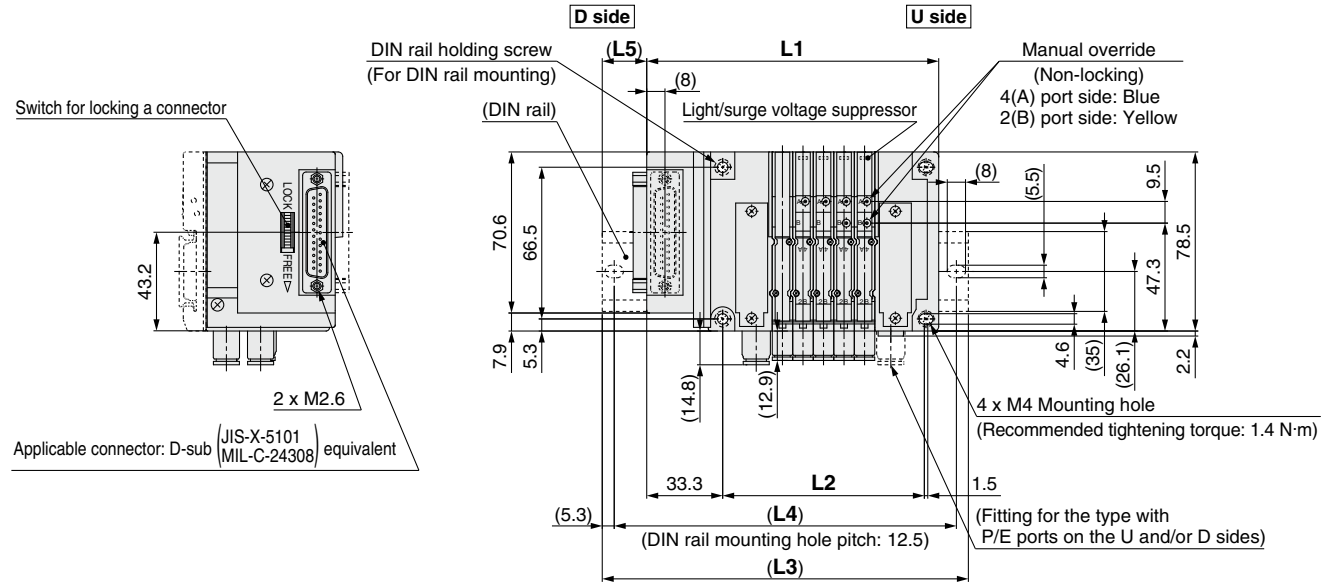
| L \ n | 17    | 18    | 19    | 20    | 21    | 22    | 23    | 24    |
|-------|-------|-------|-------|-------|-------|-------|-------|-------|
| L1    | 193.5 | 200   | 206.5 | 213   | 219.5 | 226   | 232.5 | 239   |
| L2    | 153.9 | 160.4 | 166.9 | 173.4 | 179.9 | 186.4 | 192.9 | 199.4 |
| L3    | 223   | 235.5 | 248   | 248   | 260.5 | 260.5 | 273   | 273   |
| L4    | 212.5 | 225   | 237.5 | 237.5 | 250   | 250   | 262.5 | 262.5 |
| L5    | 18    | 21    | 24    | 20.5  | 23.5  | 20.5  | 23.5  | 20    |

Type 10/Side Ported (Applicable to ø6 fittings)  
D-sub Connector (IP40/Connector Entry Direction Adjustable)



Dimensions: **JSY1000 Series**

JJ5SY1-10F<sub>2</sub><sup>1</sup>-Stations  $\frac{U}{D}$ -C6(D)



\* These figures show the "JJ5SY1-10F2-05D-C6."  
\* Refer to page 89 for dimensions of external pilot (Made to Order) and silencer.  
\* When CM is selected for mixed A, B port size, refer to page 92 for dimensions.

**L: Dimensions**

n: Stations

| L \ n | 2     | 3     | 4     | 5     | 6     | 7     | 8     | 9     | 10    | 11    | 12    | 13    | 14    | 15    | 16    |
|-------|-------|-------|-------|-------|-------|-------|-------|-------|-------|-------|-------|-------|-------|-------|-------|
| L1    | 101   | 110   | 119   | 128   | 137   | 146   | 155   | 164   | 173   | 182   | 191   | 200   | 209   | 218   | 227   |
| L2    | 61.4  | 70.4  | 79.4  | 88.4  | 97.4  | 106.4 | 115.4 | 124.4 | 133.4 | 142.4 | 151.4 | 160.4 | 169.4 | 178.4 | 187.4 |
| L3    | 135.5 | 148   | 160.5 | 160.5 | 173   | 185.5 | 185.5 | 198   | 210.5 | 223   | 223   | 235.5 | 248   | 248   | 260.5 |
| L4    | 125   | 137.5 | 150   | 150   | 162.5 | 175   | 175   | 187.5 | 200   | 212.5 | 212.5 | 225   | 237.5 | 237.5 | 250   |
| L5    | 20.5  | 22    | 24    | 19.5  | 21    | 23    | 18.5  | 20    | 22    | 23.5  | 19    | 21    | 22.5  | 18    | 20    |

| L \ n | 17    | 18    | 19    | 20    | 21    | 22    | 23    | 24    |
|-------|-------|-------|-------|-------|-------|-------|-------|-------|
| L1    | 236   | 245   | 254   | 263   | 272   | 281   | 290   | 299   |
| L2    | 196.4 | 205.4 | 214.4 | 223.4 | 232.4 | 241.4 | 250.4 | 259.4 |
| L3    | 273   | 285.5 | 285.5 | 298   | 310.5 | 310.5 | 323   | 335.5 |
| L4    | 262.5 | 275   | 275   | 287.5 | 300   | 300   | 312.5 | 325   |
| L5    | 21.5  | 23.5  | 19    | 20.5  | 22.5  | 18    | 19.5  | 21.5  |