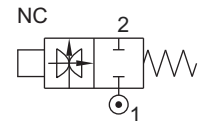


2/2 NORMALLY CLOSED SOLENOID VALVE WITH INBUILT FLOW CONTROLLER

TYPE	PRESSURE

TYPE	PRESSURE

TYPE	PRESSURE
3322	0 - 6 bar



FEATURES

- Bubble tight shut off
- Mounts in any position
- Vibration resistance up to 9g
- Suitable for high speed cycling
- Speed up to 600 cycles/ min
- Life >10 million cycles



WETTED PARTS

Body	Anodized Aluminium	Plunger, Insert	SS 430
Internals	Aluminium, Brass and SS 316	Spring	SS 302
Guide Assembly	SS 304	Seat, Seals	NBR/ EPDM/ SILICON
Shadow-Ring	Copper	Fastener	SS 304

OPTION

Body Material	-
Orifice	-
Connection	-
Media	-
Seal	-
Voltage	Any
Current	Any
Enclosure	-
Solenoid Size	14
Extended Application	-

SPECIFICATION

Valve Type	2/2 Direct Acting Normally Closed with inbuilt flow controller
Body Material	SS 316
Orifice	3.5
Port Connection	1/4" BSP (F)
Media	Soda/ Syrup
Pressure	0 - 3 bar
Seal	EPDM
Coil Voltage, Current	-
Enclosure	Weather Proof Plug in IP67
Application	-
Model	-

AMBIENT TEMPERATURE

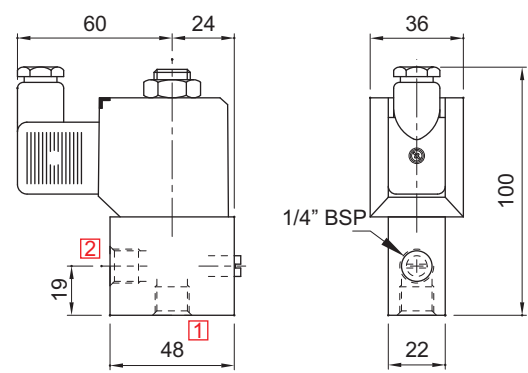
-20°C to 70°C

FLUID TEMPERATURE

-20°C to 70°C

DIMENSIONS

All Dimensions are in mm



PORT CONNECTION

	INLET	OUTLET
NC	1	2

Contact Rotex for any other ambient, fluid temperature, media and application.

