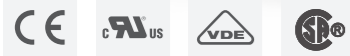
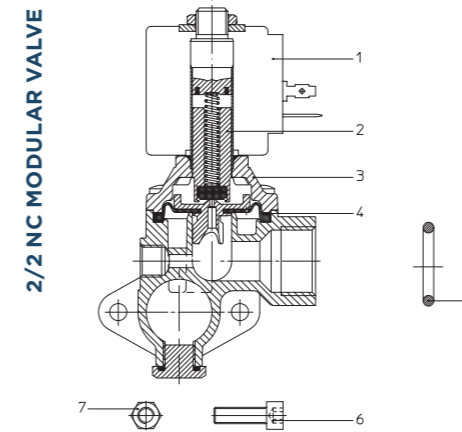
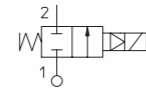


# 4743 SERIES

## General Purpose, 2-way, Indirect Acting

**4743 Series** is a modular indirect acting solenoid valve, especially designed for water distribution systems. It is provided with an additional G1/8 port, connected to the outlet, for mixing the main water flow with detergents. It can be sold both as single valve or preassembled manifold.



TECHNICAL DATA

PORT CONNECTION	Flange inlet - G1/2 outlet	
SEALING MATERIALS	FKM	
FLUID TEMPERATURE	-10°C +140°C	
FLUIDS	water	
VISCOSITY	max 12 cSt	
TUBE Ø - COIL WIDTH - SERIES	Ø 13 mm - 30 mm	BDA08, BVA08 (class F), BDV08 (class H)
	Ø 13 mm - 36 mm	UDV16 (CLASS H)
INSTALLATION	as required, preferably with actuator upright	
PROTECTION DEGREE	IP65 EN 60529 (DIN 40050) with plug connector	

■ MOPD values are referred to "standard power" coil range. Please refer to coil chapter.

MATERIALS

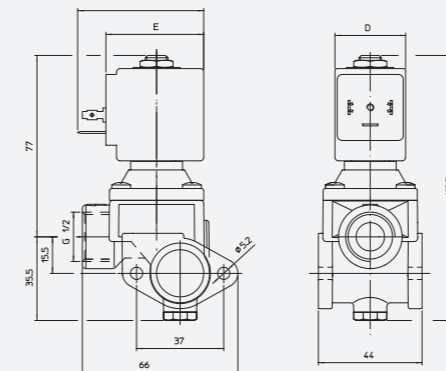
BODY, ORIFICE	Brass UNI EN 12165 CW617N
ARMATURE TUBE	Stainless steel AISI Series 300
FIXED CORE	Stainless steel AISI Series 400
PLUNGER	Stainless steel AISI Series 400
PHASE DISPLACEMENT RING	Copper (Cu 99,9%)
SPRING	Stainless steel AISI Series 300
SEALING	V=FKM

2/2 NC

PIPE	ORIFICE SIZE Ø [mm]	Kv [l/min]	COIL SERIES	PRESSURE [bar]			SINGLE UNIT CODE
				MIN	MOPD AC DC	PS	
FLANGE - G1/2	12	40	B**08	0,1	16 10	20	4743KOV120
			UDV16	0,1	- 16	20	4743KOV120

- **CE**
  - 2014/35/EU (LVD)
  - 2014/30/EU (EMC)
  - 2014/68/EU (PED), art. 4.3
- **UL** recognized and **VDE, CSA** approved coils are available for this series, please refer to coil section.

Please read and agree our GENERAL CONDITIONS before placing an order. All the information are exclusive ownership of ODE S.r.l. All rights reserved ©ODE S.r.l.

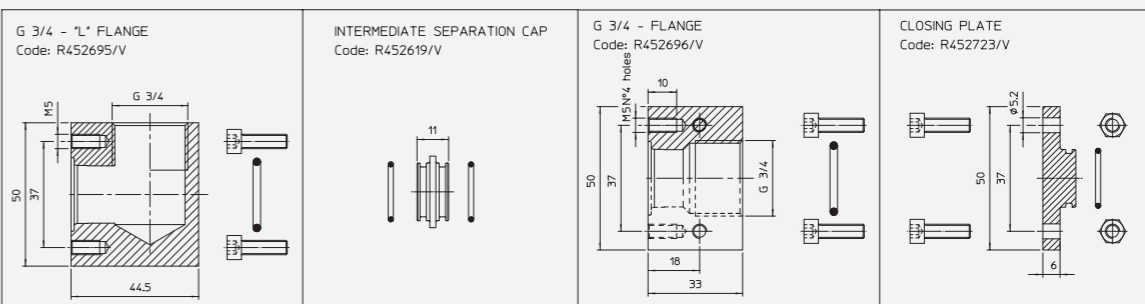


COIL SERIES	DIMENSIONS [mm]		
	D	E	F
B**08	30	42	54
UDV16	36	48	60



- I. SERIES**
- II. SEALING MATERIAL**  
V - FKM
- III. NUMBER OF ELEMENTS**
- IV. LEFT INLET**  
D5 - G3/4 - Flange (R452696/V)  
L5 - G3/4 - "L" Flange (R452695/V)  
TO - Closing plate (R452723/V)
- IV. RIGHT INLET**  
D5 - G3/4 - Flange (R452696/V)  
L5 - G3/4 - "L" Flange (R452695/V)  
TO - Closing plate (R452723/V)
- V. MID-CAP (R452619/V)**  
T1 - YES - (position after element n°1)  
00 - NO

CODIFICATION



■ The fluids listed in the "technical data" tables should be considered as a recommendation. Please check the chemical compatibility of the fluids with the materials of the valve at RFQ stage.  
 ■ For spare parts list please refer to the dedicated chapter.  
 ■ G type thread in accordance with ISO 228/1.  
 ■ Low lead brass version available on request, please contact ODE for further details.