



2/2 way NC solenoid valve Indirect action

21W3KV.190-OX

÷

21W7KV.500-OX

PRESENTATION:

EV with indirect action suitable for the interception of fluids compatible with the construction materials.
A minimum operating pressure of 0.2 bar is required. The materials used and the tests performed guarantee reliability and durability.

Components, in contact with the fluid, free of oils and greases and compatible with Oxygen for industrial use

USE: Automation
Chemistry

FITTINGS: G 3/4 - G 2

COILS: 8W - Ø 13
BDA - BSA 155 ° C (class F)
BDV 180 ° C (class H)

ENCAPSULATION AND SPOOL ARE MADE WITH 100% VIRGIN MATERIAL.

Maximum allowable pressure (PS) G

3/4 - G 1 25 bar

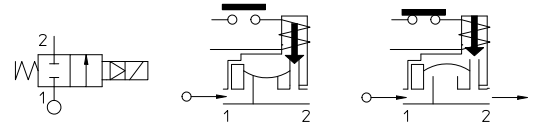
G 1 1/4 - G 2 16 bar

Room temperature:

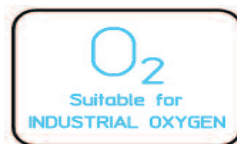
Consult the coil catalog pages for their compatibility.



Gaskets	Temperature		Fluids
V.= FKM (fluorinated elastomer)	- 10 ° C	+ 60 ° C	Oxygen



Fitting ISO 228/1	Code	OR mm	Kv l / min	Power watt	Pressure		
					mø bar	MOPD	
						AC bar	DC bar
G 3/4	21W3KV.190-OX	19	140	8	0.2	16	16
G 1	21W4KV.250-OX	25	190				
G 1 1/4	21W5KV.350-OX	35	400			10	10
G 1 1/2	21W6KV.400-OX	40	520				
G 2	21W7KV.500-OX	50	750				



CE

with CE approval

(Directive 97/23 / EC on pressure equipment)

for EV 21W5 ..- OX ÷ 21W7 ..- OX

Note Do not use as a safety valve.

The "ODE" reserves the right to make technical and aesthetic changes without prior notice.

MATERIALS:

Body Brass - UNI EN 12165 CW617N
Quill Stainless steel AISI 300 series
Fixed core Stainless steel AISI 400 series
Mobile core Stainless steel AISI 400 series
Phase shift ring Copper - Cu 99.9%
Spring AISI 300 series stainless steel
Shutter V = FKM (compatible with O₂)
Port Brass - UNI EN 12165 CW617N

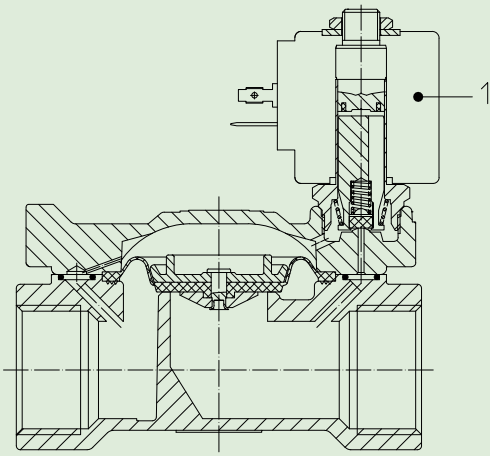
On demand:
Connector Pg 9 or Pg 11
Connector compliance ISO 4400

FEATURES:

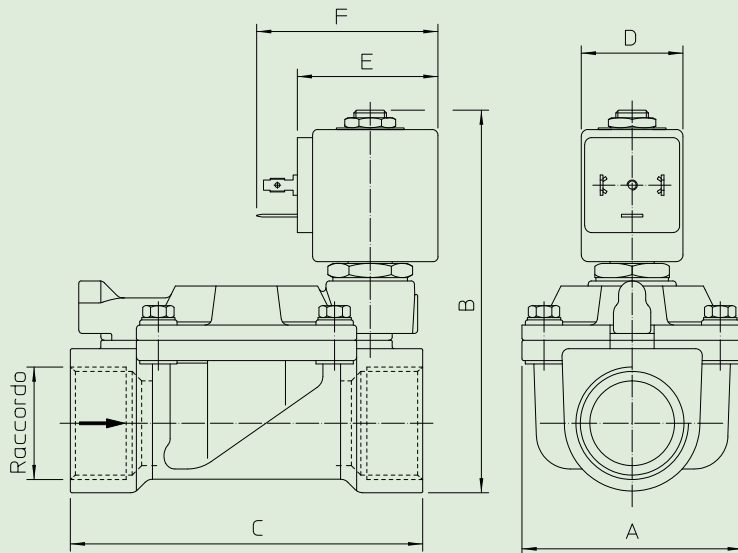
Electrical compliance IEC 335
Degree of protection IP 65 EN 60529 (DIN 40050)
 with electromagnet equipped with connector.

REPLACEMENT PARTS:

1. Coil:
 See coil list



DIMENSIONS:



Guy	Fitting ISO 228/1	TO mm	B. mm	C. mm
21W3KV.190-OX	G 3/4	65	105	104
21W4KV.250-OX	G 1		112	
21W5KV.350-OX	G 1 1/4	98	125	144
21W6KV.400-OX	G 1 1/2			
21W7KV.500-OX	G 2			

COIL GUY	POWER			DIMENSIONS		
	W ==	Exercise GO ~	At check o GO ~	D. mm	AND F. mm	mm
B.	8	14.5	25	30	42	54