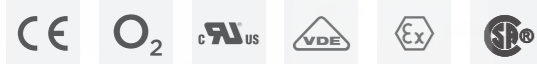
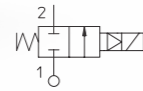


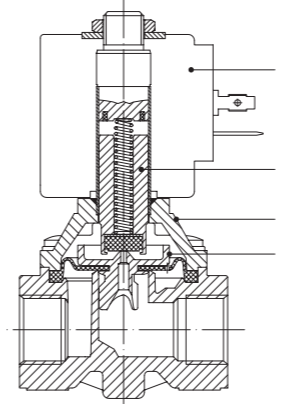
# 21H SERIES

## General Purpose, 2-way, Indirect Acting

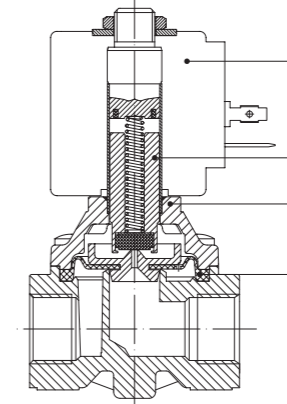
**21H** are indirect acting solenoid valves. The coil is positioned on the centre of the valve for maximum compactness. These valves require a minimum operating pressure of 0,1 bar. Silent closing version available. AC/DC interchangeability of the coil is possible for both NC and NO configurations.



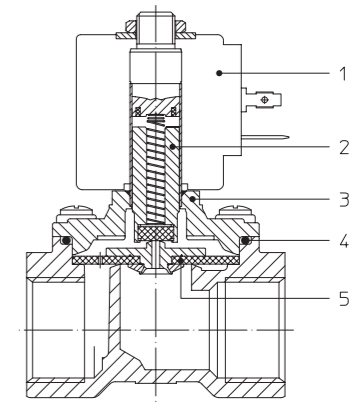
NC, G3/8 TO G1/2



NC, G3/8 TO G1/2  
PROGRESSIVE CLOSING



NC, G3/4



Solenoid Valves ■ General purpose ■ 2-way ■ Indirect Acting ■ **21H SERIES**

### TECHNICAL DATA

<b>PORT CONNECTION</b>	G3/8 to G3/4		
<b>SEALING MATERIALS</b>	NBR	FKM	EPDM
<b>FLUID TEMPERATURE</b>	-10°C +90°C	-10°C +140°C	-10°C +140°C
<b>FLUIDS</b>	Air, inert gas, water	oils, gasoline, diesel	Water, steam
<b>VISCOSITY</b>	max. 12 cSt		
<b>TUBE Ø - COIL WIDTH - SERIES</b>	ø 13 mm - 30 mm	BDA08, BVA08 (CLASS F), BDV08 (CLASS H)	
	ø 13 mm - 36 mm	UDV16 (CLASS H)	
	ø 13 mm - 52 mm	GDV14 (CLASS H)	
<b>INSTALLATION</b>	as required, preferably with actuator upright		
<b>PROTECTION DEGREE</b>	IP65 EN 60529 (DIN 40050) with plug connector		

■ MOPD values are referred to "standard power" coil range. Please refer to coil chapter.

### MATERIALS

<b>BODY, ORIFICE</b>	Brass UNI EN 12165 CW617N
<b>ARMATURE TUBE</b>	Stainless steel AISI Series 300
<b>FIXED CORE</b>	Stainless steel AISI Series 400
<b>PLUNGER</b>	Stainless steel AISI Series 400
<b>PHASE DISPLACEMENT RING</b>	Copper (Cu 99,9%) or gold plated copper
<b>SPRING</b>	Stainless steel AISI Series 300
<b>SEALING</b>	B=NBR, V=FKM, E=EPDM

#### CE

- 2014/35/EU (LVD)  
- 2014/30/EU (EMC)  
- 2014/68/EU (PED)  
art. 4.3 up to 1"

#### INDUSTRIAL OXYGEN

Special versions suitable for contact with industrial oxygen are available. Please refer to codification options.

#### UL recognized and VDE, CSA

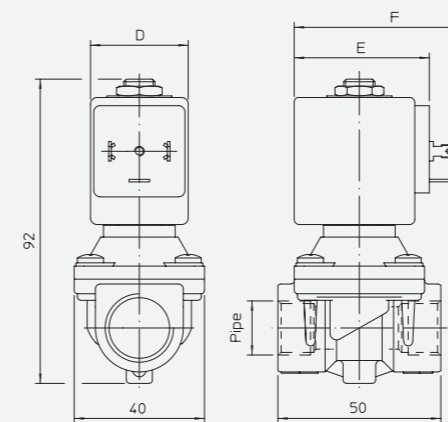
approved coils are available for this series, please refer to coil section.

#### EXPLOSION PROOF COILS

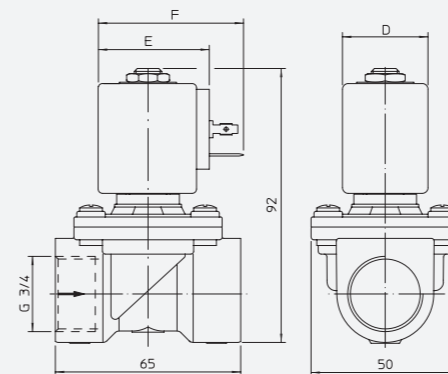
suitable for zone 2-22 are available for this series. Please refer to ATEX coil section for further details.

Please read and agree our GENERAL CONDITIONS before placing an order. All the information are exclusive ownership of ODE S.r.l. All rights reserved ©ODE S.r.l.

DRAWING 1



DRAWING 2



COIL SERIES	DIMENSIONS [mm]		
	D	E	F
B**08	30	42	54
UDV16	36	48	60
GDV14	52	55	67

■ The fluids listed in the "technical data" tables should be considered as a recommendation. Please check the chemical compatibility of the fluids with the materials of the valve at RFQ stage.  
■ Operation with gases at high differential pressure can reduce the life of the diaphragm.  
■ For spare parts list please refer to the dedicated chapter.

2/2 NC

PIPE ISO 228/1	ORIFICE SIZE Ø [mm]	Kv [l/min]	COIL SERIES	PRESSURE [bar]			CODE		DRAWING REFERENCE	
				MIN	MOPD (LIQUIDS)		BRASS	STAINLESS STEEL		
					AC	DC				PS
G3/8	12	35,0	B**08	0,1	20	10	20	21H7KV120	-	1
			UDV16	0,1	20	20	20	21H7KV120	-	1
			GDV14	0,1	20	20	20	21H7KV120	-	1
G1/2	12	45,0	B**08	0,1	20	10	20	21H8KV120	-	1
			UDV16	0,1	20	20	20	21H8KV120	-	1
			GDV14	0,1	20	20	20	21H8KV120	-	1
G3/4	18	50,0	B**08	0,1	16	3	16	21H9KV180	-	2
			UDV16	0,1	16	10	16	21H9KV180	-	2
			GDV14	0,1	16	16	16	21H9KV180	-	2

For sealing different from FKM, replace the letter "V" with the ones corresponding to the other materials.  
V=FKM, B = NBR, E = EPDM.

CODIFICATION

I	II	III	IV	V	VI	VII	VIII	IX
2	1	H	7	K		B	120	-

**I. NUMBER OF WAYS**  
2 - 2-way

**II. NUMBER OF ELEMENTS**  
1 - 1 element

**III. SERIES**  
H - indirect acting, compact body

**IV. CONNECTIONS**  
7 - G3/8  
8 - G1/2  
9 - G3/4

**V. CORE TUBE TYPE**  
KR - for 2/2 NC valves, 8 W coil

**VI. PHASE DISP. RING MATERIAL**  
0 or blank - copper

**VII. SEALING MATERIAL**  
B - NBR  
V - FKM  
E - EPDM

**VIII. ORIFICE Ø [mm] MULTIPLIED BY 10**

**IX. OPTIONS**  
PC - progressive closing  
N - nickel plated body  
OX - oxygen version

OPTIONS  
AVAILABILITY

OPTION	VALVE TYPE	BODY MATERIAL	SEALING MATERIAL	VALVE SIZE/CONNECTIONS			NOTES
				G3/8	G1/2	G3/4	
PC	2/2 NC	Brass	B, V, E	X	X	X	
N	2/2 NC	Brass	B, V, E	X	X	X	
OX	2/2 NC	Brass	V	X	X		PS & MOPD limited to 25 bar. Shall not be used as safety valves.

Please contact ODE if you wish to combine more options.