

NEW NIBCO® 585HP Lead-Free Bronze Ball Valves

Features: Silicon Performance Bronze® Alloy • Laser-Welded Cast Body • Triple-Sealed Stem • Reversible Handle • Easily Adjustable Packing Nut • Blowout-Proof Stem • Hose Cap and Chain

Approvals: MSS SP-110/145 • NSF/ANSI 61/372 • IAPMO/ANSI Z1157

Size range: ½", ¾"

Pressure rating: 1000 psi non-shock cold working pressure

Lead-free markings: Double oval in body casting, white handle and blue hang tag

United States Patent No. 10,234,043 & United States Patent No. 11,131,403



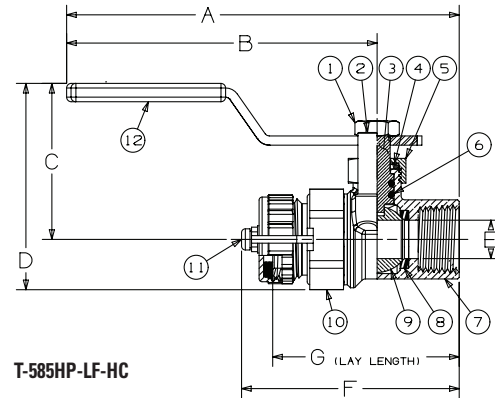
MATERIAL LIST

PART	SPECIFICATION
1. Handle Nut	Carbon Steel, GEOMET® Coated
2. Handle Stop	ASTM A276 S31600 Stainless Steel
3. Stem	ASTM B371 DZR Lead-free Silicon Brass ASTM A276 316 Stainless Steel
4. Packing	PTFE
5. Packing Nut	ASTM B16 C36000 Brass
6. Stem O-ring (2)	Qmonix® EPDM
7. Body	ASTM B584 C87500 DZR Lead-free Silicon Bronze Casting
8. Seats (2)	Reinforced PTFE
9. Ball	ASTM B584 C46500 DZR Lead-free Brass ASTM A276 or A351 CF8M Stainless Steel
10. Body End Piece	ASTM B371 C69300 DZR Lead-free Silicon Brass
11. Hose Cap Assembly	HPB58-3 Brass
12. Handle	Carbon Steel, GEOMET® Coated, Plastisol Grip

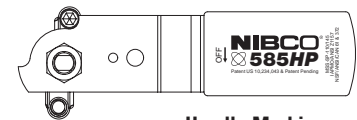


T-585HP-LF-HC
Thread x Hose Cap

T-585HP-66-LF-HC with stainless steel trim also available.



T-585HP-LF-HC



Handle Markings

DIMENSIONS - WEIGHTS

Size	A		B		C		D		E		F		G		Weights	
In.	In.	mm.	In.	mm.	In.	mm.	In.	mm.	In.	mm.	In.	mm.	In.	mm.	lbs.	kg
½"	5.11	129.79	4.04	102.62	2.03	51.56	2.69	68.33	0.50	12.70	2.83	71.88	2.43	61.72	0.643	0.292
¾"	5.52	140.21	4.18	106.17	2.31	58.67	3.18	80.77	0.75	19.05	3.13	79.50	2.72	69.09	1.062	0.482

Note: Cap is for hose end thread protection only. Not to be used for pressure containing purposes.

WARNING: This product can expose you to chemicals including lead, which is known to the State of California to cause cancer and birth defects or other reproductive harm. For more information go to www.P65Warnings.ca.gov.

LEAD-FREE: Weighted average lead content ≤ 0.25%