

NIBCO® Press System® Brass Ball Valves

Two-Piece Body • Full Port • Brass Trim • Blowout-Proof Stem • PTFE Seats

200 PSI/41.4 Bar Non-Shock Cold Working Pressure

250°F Maximum Operating Temperature

CONFORMS TO MSS SP-110

MATERIAL LIST

PART	SPECIFICATION
1. Handle	Plated Steel with Plastisol Cover
2. Handle Nut	Plated Steel
3. Pack Gland	Brass ASTM B16 Alloy C36000
4. Packing, Stem	Virgin PTFE
5. Flat Washer	430 Stainless
6. O-Ring (Stem Seal)	Fluorocarbon (FKM)
7. Thrust Washer	Reinforced PTFE
8. Stem	$\frac{1}{2}$ " - 1" Brass ASTM B16 Alloy C36000 $\frac{1}{4}$ " - 2" Silicon Bronze ASTM B371 Alloy 69400 or 69430
9. Body	Forged Brass ASTM B283 Alloy C37700
10. Seat Ring (2)	Virgin PTFE
11. Ball	$\frac{1}{2}$ " - $\frac{3}{4}$ " Brass ASTM B16 Alloy C36000 (Chrome/Nickel Plated) 1" - 2" Forged Brass ASTM B124 Alloy C37700 (Chrome/Nickel Plated)
12. Body End Piece	Forged Brass ASTM B283 Alloy C37700
13. Female Adapter (2)	Bronze ASTM B61 Alloy C92200
14. O-Ring (2)	EPDM



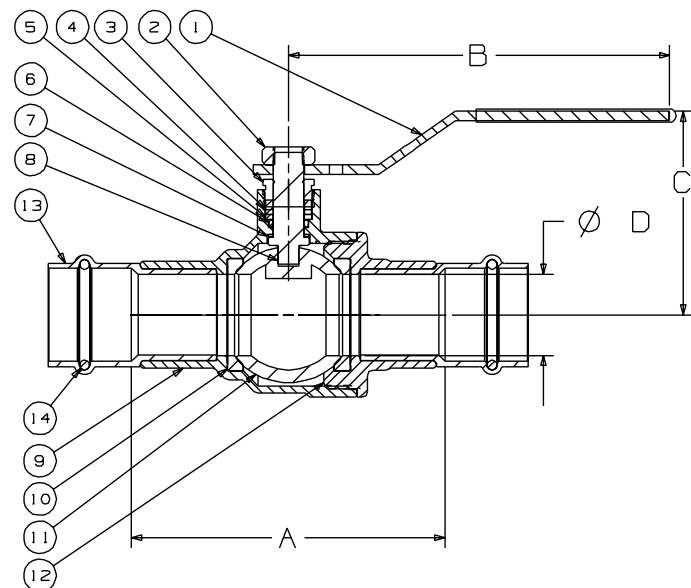
PFFP600

Press x Press
Female End

DIMENSIONS—WEIGHTS

Size	Dimensions				Weight
	A	B	C	D	
In. mm.	In. mm.	In. mm.	In. mm.	In. mm.	Lbs. Kg.
$\frac{1}{2}$ 15	2.37 60	3.90 99	1.95 50	0.50 13	.54 1.19
$\frac{3}{4}$ 20	3.18 81	4.66 118	2.30 58	0.75 19	1.16 2.55
1 25	3.84 98	4.66 118	2.50 64	1.00 25	1.61 3.54
1 $\frac{1}{4}$ 32	4.34 110	6.69 170	3.05 78	1.25 32	2.63 5.79
1 $\frac{1}{2}$ 40	4.88 124	6.69 170	3.23 82	1.50 38	3.69 8.12
2 50	6.04 153	6.69 170	3.55 90	2.00 51	5.76 12.68

NIBCO® Press System® ball valves are designed to meet MSS SP-110 with the exception of the end connection. Ball valves are down-rated from 600 PSI CWP to 200 PSI CWP to match the Press System®. Male and female press-to-connect ends are new technology not yet covered in the current edition of this specification.



PFFP600
P x P

Visit our website for the most current information.