

# Bronze Ball Valves

Two-Piece Body • Full Port • Bronze Trim • Male x Female Thread Ends • Blowout-Proof Stem

**600 PSI/41.4 bar non-shock cold working pressure**  
**150 PSI/10.3 bar saturated steam\***

CONFORMS TO MSS SP-110

## MATERIAL LIST

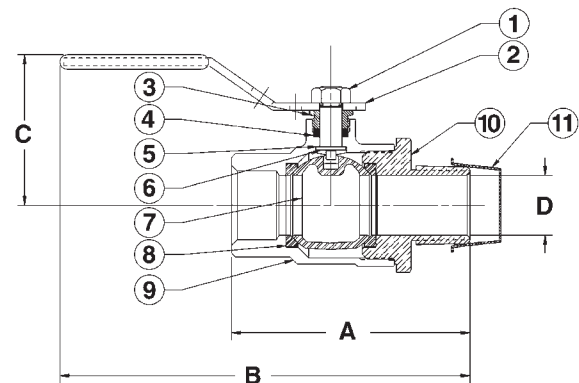
PART	SPECIFICATION
1. Handle Nut	Zinc Plated Steel
2. Handle	Zinc Plated Steel Clear Chromate Plastisol Coated
3. Threaded Pack Gland	Brass ASTM B 16 Alloy C36000
4. Packing	PTFE
5. Thrust Washer	Reinforced PTFE
6. Stem	Silicon Bronze ASTM B 371 Alloy C69300 or ASTM B 99 Alloy C65100
7. Ball	Brass ASTM B 124 Alloy C37700 or ASTM B16 Alloy C36000 EACH with Hard Chrome Plate
8. Seat Ring (2)	Reinforced PTFE
9. Body	Bronze ASTM B 584 Alloy C84400
10. Male Body End	Brass ASTM B 16 Alloy C36000
11. Cap Plug	Low Density Polyethylene



**MTT-585-70**  
Male x Female NPT

## DIMENSIONS—WEIGHTS—QUANTITIES

Size	Dimensions								MTT-585-70		Master Ctn. Qty.	
	A		B		C		D		Lbs.	Kg.		
In. mm.	In.	mm.	In.	mm.	In.	mm.	In.	mm.	In.	mm.	Lbs.	Kg.
1/4	8	2.41	61	5.30	135	1.75	44	.38	10	.43	.19	40
3/8	10	2.40	61	5.30	135	1.72	44	.38	10	.52	.24	40
1/2	15	2.80	71	5.50	140	1.88	48	.50	13	.78	.35	40
3/4	20	3.40	86	6.59	167	2.25	57	.75	19	1.54	.70	20
1	25	4.00	102	6.99	178	2.38	60	1.00	25	2.71	1.23	20
1 1/4	32	4.58	116	9.18	233	3.00	76	1.25	32	3.56	1.62	10
1 1/2	40	5.20	132	9.53	242	3.16	80	1.50	38	5.34	2.42	6
2	50	5.49	139	9.61	244	3.50	89	2.00	51	6.83	3.10	4



**MTT-585-70**  
Male x Female NPT

\*For detailed operating pressure, refer to pressure temperature chart on page 42.



**WARNING:** This product can expose you to chemicals including lead, which is known to the State of California to cause cancer and birth defects or other reproductive harm. For more information go to [www.P65Warnings.ca.gov](http://www.P65Warnings.ca.gov).

Visit our website for the most current information.