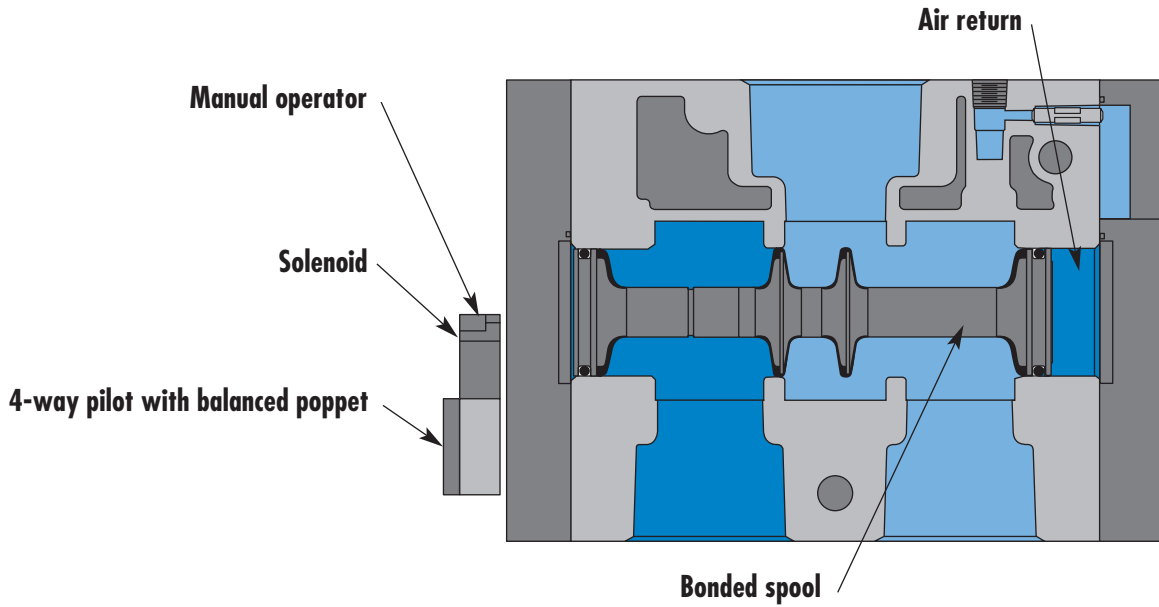


Individual mounting

Inline

Series



33
34
36
32
37
38
52
67
69
44
46
42
47
48P
48
400
92
93
ISO 01
ISO 02
ISO 1
ISO 2
ISO 3

SERIES FEATURES

- High force MACSOLENOID®.
- Optional low watt DC solenoids.
- Internal or external pilot.
- Normally open or normally closed function.
- Checked accumulator.
- May be plugged for 2-way operation.



Direct solenoid and solenoid pilot operated valves

Function	Port size	Flow [Max]	Individual mounting	Series
3/2 NO-NC, 2/2 NO-NC	1 1/2" - 2" - 2 1/2"	60.0 C_v	Inline	

OPERATIONAL BENEFITS

1. The 4-way pilot develops maximum shifting force both ways.
2. Balanced spool, immune to variations of pressure, also provides high flow.
3. Short stroke with high flow.
4. Bonded spool with minimum friction, shifting in a glass-like finished bore.
5. Pilot with balanced poppet, high flow, short and consistent response times.
6. Wiping effect eliminates sticking and contamination.



33
34
36
32
37
38
52
67

HOW TO ORDER

Port size	Pilot air	Single Operator NC valve	Single Operator NO valve
1 1/2"	Internal	69A-A1-AAA-JXXX-XXX	69A-C1-AAA-JXXX-XXX
2"		69A-A1-BAA-JXXX-XXX	69A-C1-BAA-JXXX-XXX
2 1/2"		69A-A1-CAA-JXXX-XXX	69A-C1-CAA-JXXX-XXX
1 1/2"	External	69A-A1-AAB-JXXX-XXX	69A-C1-AAB-JXXX-XXX
2"		69A-A1-BAB-JXXX-XXX	69A-C1-BAB-JXXX-XXX
2 1/2"		69A-A1-CAB-JXXX-XXX	69A-C1-CAB-JXXX-XXX

69
44
46
42
47
48P

SOLENOID OPERATOR >

J **XXX-XXX*** (-G) Add "G" for ground

XX Voltage	X Lead wire length	X Manual operator	XX Electrical connection*
AA 120 VAC (5,4W)	0 No lead wire	1 Non-locking	BA Flying leads
DA 24 VDC (5,4W)	A 18"	2 Locking	GA MAC JAC Solenoid Plug-in
DB 12 VDC (5,4W)	B 24"		GG MAC JAC Solenoid Plug-in with rectifier
DC 24 VDC (2,4W)	C 36"		JB Rectangular connector
DD 12 VDC (2,4W)			JD Rectangular connector with light
			KA Mini square connector
			KD Mini square connector with light

48
400
92
93

* Other options available, see page 317.
Note : use "0" No lead wire for "J", "K" and "L" type electrical connectors.
AC voltage requires connector with rectifier.

OPTIONS

Pilot exhaust configuration:

69A-xx-xx X-JXXX-XXX
A Standard pilot exhaust
B Pilot exhaust out main exhaust
M Manifold O'Ring Mount

ISO 01
ISO 02
ISO 1
ISO 2
ISO 3

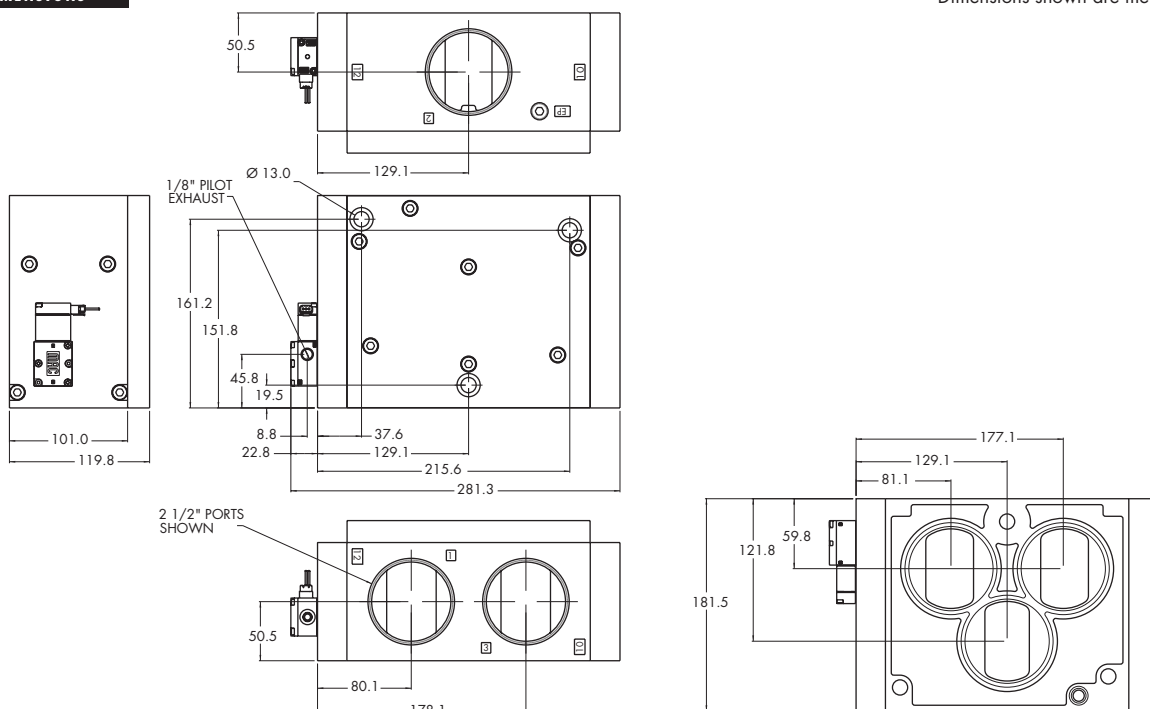
TECHNICAL DATA

Fluid :	Compressed air, vacuum, inert gases
Pressure range :	Internal Pilot : 20 to 120 PSI External Pilot : Vacuum to 120 PSI
Pilot Pressure:	20 to 120 PSI
Lubrication :	Not required, if used select a medium aniline point lubricant (between 180°F and 210°F)
Filtration :	40 µ
Temperature range :	0°F to 120°F (-18°C to +50°C)
Flow :	Cv 60.0
Coil :	Class A wire, #22 AWG x 18, continuous duty
Voltage range :	-15% to +10% of nominal voltage
Power :	5.4W – 2.4W – 1.8W

Options : • BSPP threads

DIMENSIONS

Dimensions shown are metric (mm)





Codification table for voltages / Manual operators / Electrical connections

VALVE CODE >

J XX X-X XX
1 2 3 4

OPTIONS AVAILABLE FOR

- Solenoid valves 36, 46, ISO 01 and ISO 02 Series

1. VOLTAGE

J-XX X-X XX	VOLTAGE
AA	120VAC (5.4W)
AC	24VAC (5.4W)
DE	24VDC (1.8W)
DF	12VDC (1.8W)
DJ	24VDC (1.3W)
DL	12VDC (1.3W)
DN	12VDC (0.5W)*
DR	12VDC (1.0W)*
DS	24VDC (0.5W)*
DU	24VDC (1.0W)*

* Not available on 36 series universal valve

2. WIRE LENGTH

J-XX X-X XX	WIRE LENGTH
A	18" coil leads
B	24" coil leads
C	36" coil leads
D	48" coil leads
E	72" coil leads
F	96" coil leads
P	Base plug-in
O	No leads (use with J, K & L type connectors)

3. MANUAL OPERATOR

J-XX X-X XX	MANUAL OPERATOR
0	No operator
1	Non-locking recessed
2	Locking recessed
3	Non-locking extended
4	Locking extended

4. ELECTRICAL CONNECTION

J-XX X-X XX	CONNECTORS FOR NON PLUG-IN VALVES ELECTRICAL CONNECTION
BA	Flying leads
GA	MAC JAC solenoid plug-in
GB	MAC JAC solenoid plug-in with diode
GC	MAC JAC solenoid plug-in with MOV
GD	MAC JAC solenoid plug-in with light
GE	MAC JAC solenoid plug-in with diode and light
GF	MAC JAC solenoid plug-in with MOV and light
GG	MAC JAC solenoid plug-in with rectifier
GH	MAC JAC solenoid plug-in with rectifier and light
GJ	MAC JAC solenoid plug-in - Male only
GK	MAC JAC solenoid plug-in with diode - Male only
GL	MAC JAC solenoid plug-in with MOV - Male only
GM	MAC JAC solenoid plug-in with light - Male only
GN	MAC JAC solenoid plug-in with diode and light - Male only
GP	MAC JAC solenoid plug-in with MOV and light - Male only
GR	MAC JAC solenoid plug-in with rectifier - Male only
GS	MAC JAC solenoid plug-in with rectifier and light - Male only
*JA	Square Connector
*JC	Square Connector with light
*JE	Square Connector with diode
*JF	Square Connector with MOV
*JG	Square Connector with diode/light
*JH	Square Connector with MOV/light
*JK	Square Connector with Rectifier

J-XX X-X XX

*JL	Square Connector with Rectifier with light
*JJ	Square Connector Male only (Plain)
*JB	Rectangular Connector
*JD	Rectangular Connector with light
*JN	Rectangular Connector with diode
*JP	Rectangular Connector with MOV
*JR	Rectangular Connector with diode/light
*JS	Rectangular Connector with MOV/light
*JT	Rectangular Connector with Rectifier
*JU	Rectangular Connector with Rectifier with light
*JM	Rectangular Connector Male only (Plain)

* Not available on manifold or stacking valves

CONNECTORS FOR NON PLUG-IN VALVES MINI SQUARE PLUG-IN CONNECTORS 9.4 MM SPACING BETWEEN PINS

J-XX X-X XX	CONNECTORS FOR NON PLUG-IN VALVES MINI SQUARE PLUG-IN CONNECTORS 9.4 MM SPACING BETWEEN PINS
KA	Mini plug-in
KB	Mini plug-in with diode
KC	Mini plug-in with MOV
KD	Mini plug-in with light
KE	Mini plug-in with diode and light
KF	Mini plug-in with MOV and light
KG	Mini plug-in with rectifier
KH	Mini plug-in with rectifier and light
KJ	Mini plug-in - Male only
KK	Mini plug-in with diode - Male only
KL	Mini plug-in with MOV - Male only
KM	Mini plug-in with light - Male only
KN	Mini plug-in with diode and light - Male only
KP	Mini plug-in with MOV and light - Male only
KR	Mini plug-in with rectifier - Male only
KS	Mini plug-in with rectifier and light - Male only

CONNECTORS FOR NON PLUG-IN VALVES MINI SQUARE PLUG-IN CONNECTORS 8.0 MM SPACING BETWEEN PINS ISO SPECIFICATION 15217

J-XX X-X XX	CONNECTORS FOR NON PLUG-IN VALVES MINI SQUARE PLUG-IN CONNECTORS 8.0 MM SPACING BETWEEN PINS ISO SPECIFICATION 15217
LA	Mini plug-in
LB	Mini plug-in with diode
LC	Mini plug-in with MOV
LD	Mini plug-in with light
LE	Mini plug-in with diode and light
LF	Mini plug-in with MOV and light
LG	Mini plug-in with rectifier
LH	Mini plug-in with rectifier and light
LJ	Mini plug-in - Male only
LK	Mini plug-in with diode - Male only
LL	Mini plug-in with MOV - Male only
LM	Mini plug-in with light - Male only
LN	Mini plug-in with diode and light - Male only
LP	Mini plug-in with MOV and light - Male only
LR	Mini plug-in with rectifier - Male only
LS	Mini plug-in with rectifier and light - Male only

J-XX X-X XX CONNECTORS FOR PLUG-IN VALVES

FA	Base plug-in
FB	Base plug-in with diode
FC	Base plug-in with MOV
FD	Base plug-in with light
FE	Base plug-in with diode and light
FF	Base plug-in with MOV and light
FG	Base plug-in with rectifier
FH	Base plug-in with rectifier and light