

Individual mounting

Series

inline

Manifold mounting

stacking

sub-base non "plug-in"

sub-base with pressure regulators

35

100

200

55

56

57

58

59

45

700

900

82

6300

6500

6600

1300

800

ISO 1

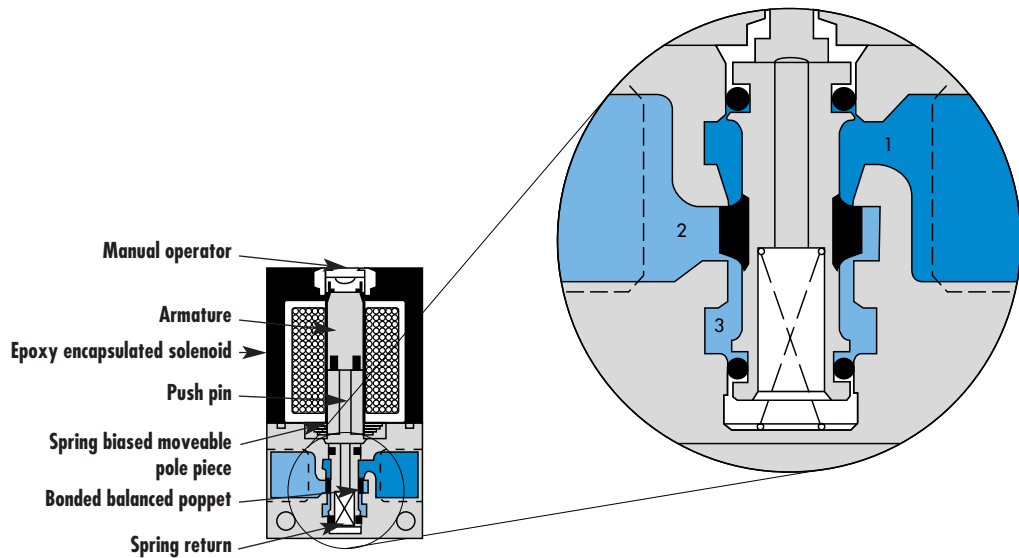
ISO 2

ISO 3

MAC 125A

MAC 250A

MAC 500A



SERIES FEATURES

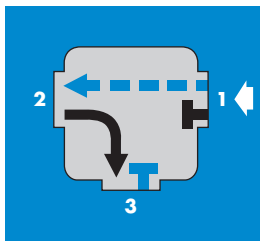
- Patented MACSOLENOID[®] for fastest possible response times.
- Bonded balanced poppet for high flow, precise repeatability, and consistent operation.
- Balanced poppet permits versatility in function — may be used as 3-way or 2-way normally open or normally closed and may be used for vacuum, divertor, or selector applications.
- Extremely high cycle rate capability.
- Use on lube or non-lube service.
- Manual overrides as standard.
- Various solenoid enclosures and plug-in connectors.
- Optional surge suppression (M.O.V. or Diode) available.
- Low wattage DC solenoids — down to 1.8 watts.
- Patented MACSOLENOID[®] — virtually burn-out proof on AC service.

VALVE CONFIGURATIONS AVAILABLE :

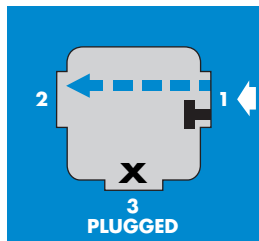
The 35 Series is a miniature 3 way or 2 way valve.
This valve provides extremely fast response, long life and high flow in a surprisingly small package.

- Individual, stacking body or manifold base.
- 3 way—Normally Open or Normally Closed.
- 2 way—Normally Open or Normally Closed.
- Optional Normally Closed Only Models.
- Selectors & Divertors.

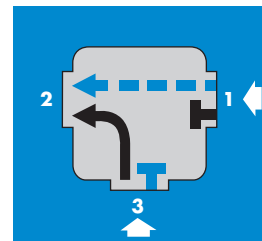
PIPING CHART FOR INDIVIDUAL MODELS



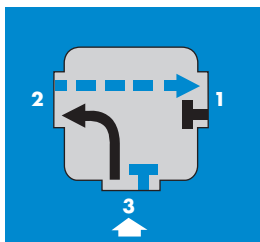
**3 Way
Normally Closed**



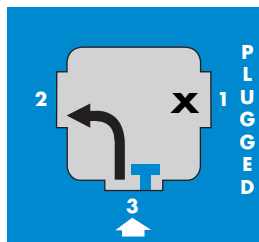
**2 Way
Normally Closed**



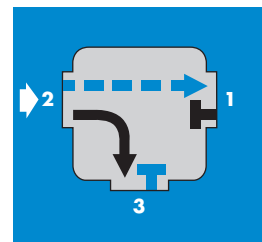
Selector



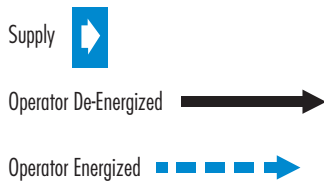
**3 Way
Normally Open**



**2 Way
Normally Open**



Divertor



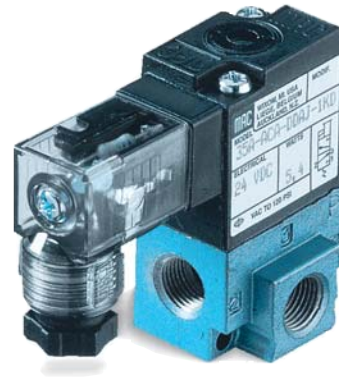


Direct solenoid and solenoid pilot operated valves

Function	Port size	Flow (Max)	Individual mounting	Series
3/2 NO-NC, 2/2 NO-NC	1/8"	0.17 C_v	inline	

OPERATIONAL BENEFITS

1. Balanced poppet, immune to variations of pressure.
2. Short stroke with high flow.
3. The patented solenoid develops high shifting forces.
4. Powerful return spring.
5. Manual operator standard on all valves.
6. Burn-out proof solenoid on AC service.



35

100

200

55

56

57

58

59

HOW TO ORDER

Port size	Universal valve	NC only valve
1/8" NPTF	35LA-AAA-Dxxx-xxx	35LA-AAB-Dxxx-xxx

45

SOLENOID OPERATOR >

D **XX X- X XX***

xx Voltage	x Wire length	Manual operator	xx Electrical connection
	A 18" (Flying leads)	I Non-locking	KA Square connector
	J Connector		KD Square connector with light
			JB Rectangular connector
			JD Rectangular connector with light
			BA Flying leads

700

900

82

* Other options available, see page 353.

OPTIONS

35LA-CAX-Dxxx-xxx

- with (2) # 10-32 ports in backside of valve

6300

6500

6600

1300

800

ISO 1

ISO 2

ISO 3

MAC 125A

MAC 250A

MAC 500A

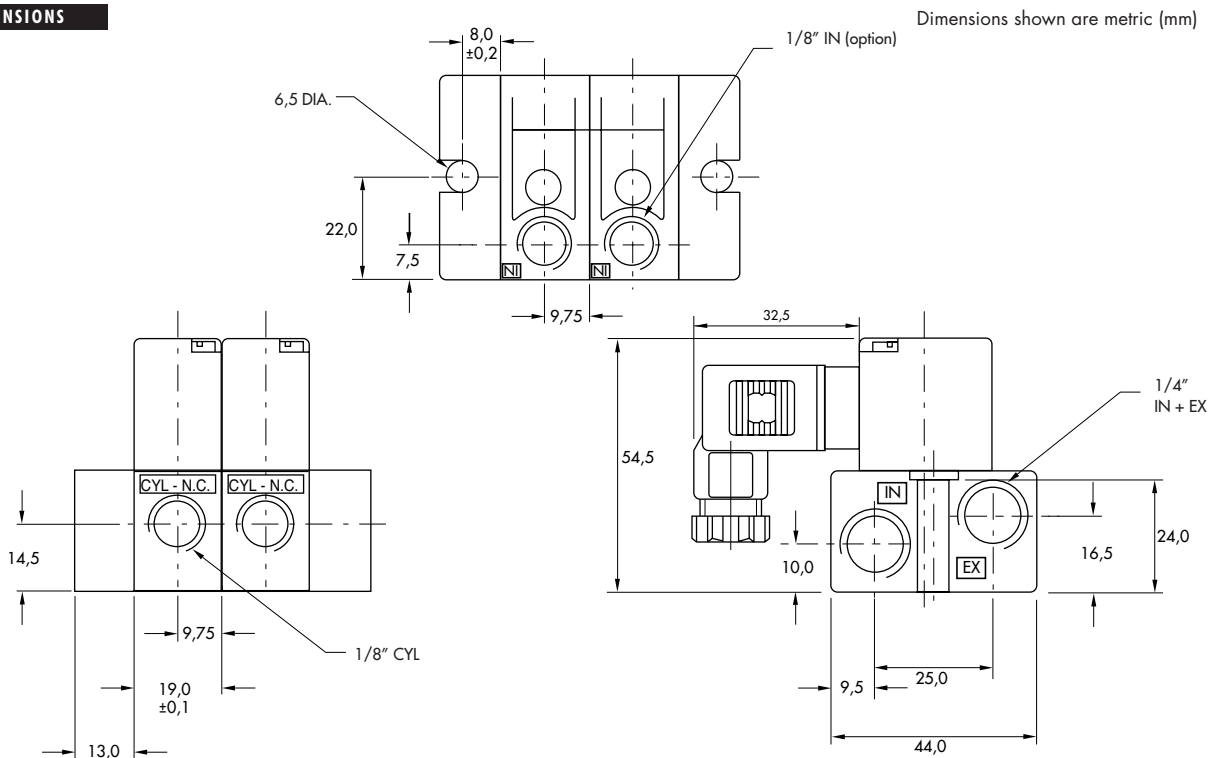
TECHNICAL DATA

Fluid :	Compressed air, vacuum, inert gases
Pressure range :	Vacuum to 120 PSI
Lubrication :	Not required, if used select a medium aniline point lubricant (between 180°F and 210°F)
Filtration :	40 μ
Temperature range :	0°F to 120°F (-18°C to 50°C)
Flow (at 6 bar, ΔP=1bar) :	1.8 W : 0.12 C _v , 5.4 to 12.7 W : 0.16 C _v
Coil :	General purpose class A, continuous duty, encapsulated
Voltage range :	-15% to +10% of nominal voltage
Protection :	Consult factory
Power :	~ Inrush : 10.9 VA Holding : 7.7 VA = 1.8 to 12.7 W
Response times :	24 VDC (5.4 W) Energize : 6 ms De-energize : 2 ms

- Spare parts :
- Solenoid operator (power ≥ 5.4 W) : DXXX-XXX, including mounting screws 35013.
 - Seal (between solenoid and valve body) : 16402. • Pressure seal (between valves) : 16433.
 - Tie-rod (x2) : 19813. • Inlet isolator : N-35002. • Exhaust isolator : N-35003. • Inlet & Exhaust isolator : N-35001.

- Options :
- BSPP threads. • High flow up to 0.25 C_v, according to wattage and high flow mod.

DIMENSIONS



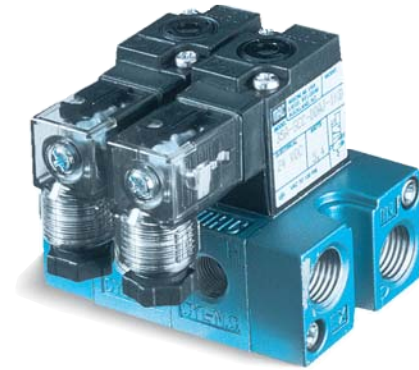


Direct solenoid and solenoid pilot operated valves

Function	Port size	Flow (Max)	Manifold mounting	Series
3/2 NO-NC, 2/2 NO-NC	# 10-32, 1/8"	0.16 C_v	stacking	

OPERATIONAL BENEFITS

1. Balanced poppet, immune to variations of pressure.
2. Short stroke with high flow.
3. The patented solenoid develops high shifting forces.
4. Powerful return spring.
5. Manual operator standard on all valves.
6. Burn-out proof solenoid on AC service.



35

100

200

55

56

57

58

59

HOW TO ORDER

Port size	NC only valve	NO only valve
1/8" NPTF	35LA-SAC-Dxxx-xxx	35LA-SAD-Dxxx-xxx
# 10-32 UNF	35LA-SBC-Dxxx-xxx	35LA-SBD-Dxxx-xxx

45

SOLENOID OPERATOR >

D **XX X- X XX***

XX Voltage	X Wire length	X Manual operator	XX Electrical connection
	A 18" (Flying leads)	I Non-locking	KA Square connector
	J Connector		KD Square connector with light
			BA Flying leads
FB 24 VDC (1.8 W)			
DA 24 VDC (5.4 W)			
DF 24 VDC (12.7 W)			

700

900

82

* Other options available, see page 353.

End plate kit required (Port size : 1/4") : M-35001-01
 Note : upon request, manifolds are mounted at the factory.

OPTIONS

35LA-TXX-Dxxx-xxx
 - Bottom Inlet

6300

6500

6600

1300

800

ISO 1

ISO 2

ISO 3

MAC 125A

MAC 250A

MAC 500A

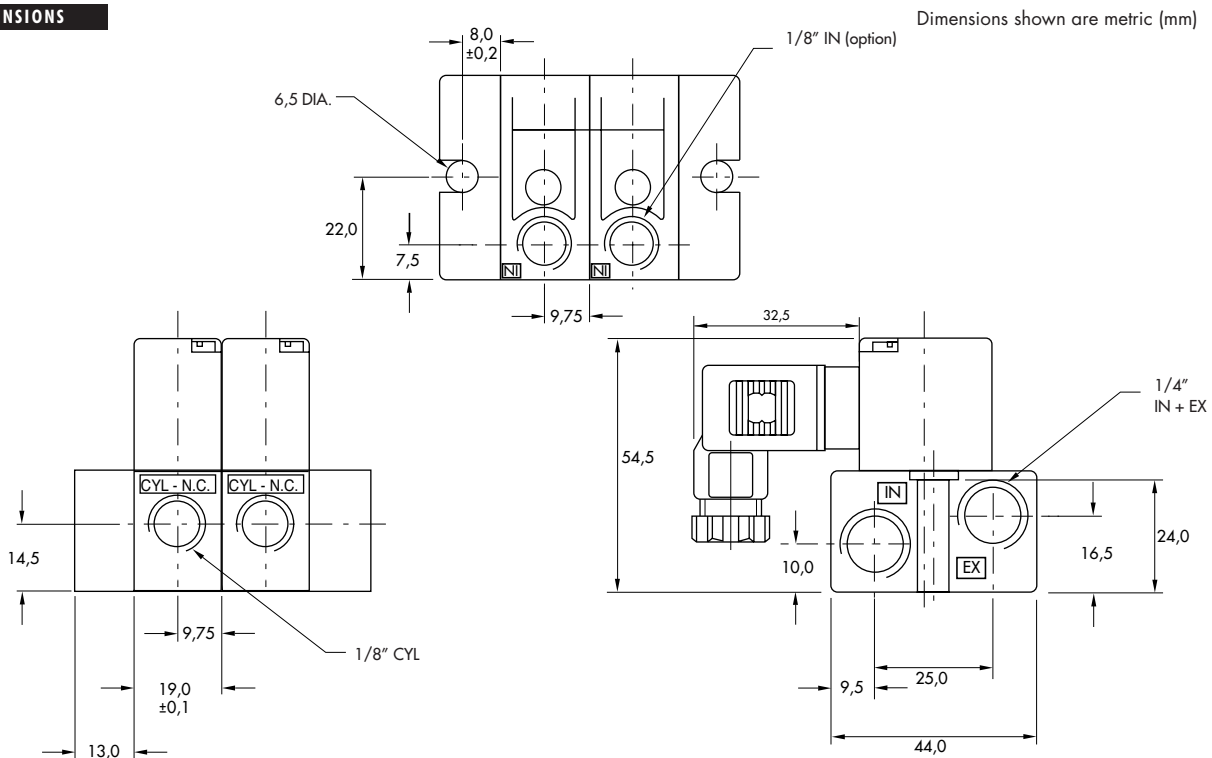
TECHNICAL DATA

Fluid :	Compressed air, vacuum, inert gases
Pressure range :	Vacuum to 120 PSI
Lubrication :	Not required, if used select a medium aniline point lubricant (between 180°F and 210°F)
Filtration :	40 μ
Temperature range :	0°F to 120°F (-18°C to 50°C)
Flow (at 6 bar, ΔP=1bar) :	1.8 W : 0.12 C _v , 5.4 to 12.7 W : 0.16 C _v
Coil :	General purpose class A, continuous duty, encapsulated
Voltage range :	-15% to +10% of nominal voltage
Protection :	Consult factory
Power :	~ Inrush : 10.9 VA Holding : 7.7 VA = 1.8 to 12.7 W
Response times :	24 VDC (5.4 W) Energize : 6 ms De-energize : 2 ms

- Spare parts :
- Solenoid operator (power ≥ 5.4 W) : DXXX-XXX, including mounting screws 35013.
 - Seal (between solenoid and valve body) : 16402. • Pressure seal (between valves) : 16433.
 - Tie-rod (x2) : 19813. • Inlet isolator : N-35002. • Exhaust isolator : N-35003. • Inlet & Exhaust isolator : N-35001.

- Options :
- BSPP threads. • High flow up to 0.25 C_v, according to wattage and high flow mod.

DIMENSIONS





Direct solenoid and solenoid pilot operated valves

Function	Port size	Flow (Max)	Manifold mounting	Series
3/2 NO-NC, 2/2 NO-NC	# 10-32, 1/8"	0.10 C_v	sub-base non "plug-in"	

OPERATIONAL BENEFITS

1. Balanced poppet, immune to variations of pressure.
2. Short stroke with high flow.
3. The patented solenoid develops high shifting forces.
4. Powerful return spring.
5. Manual operator standard on all valves.
6. Burn-out proof solenoid on AC service.



35

100

200

55

56

57

58

59

45

700

900

82

6300

6500

6600

1300

800

ISO 1

ISO 2

ISO 3

MAC 125A

MAC 250A

MAC 500A

HOW TO ORDER

SIDE CYLINDER PORTS

Port size	Norm. closed Manifold base	Norm. open Manifold base
Valve less base (universal)	35LA-B00-Dxxx-xxx	35LA-B00-Dxxx-xxx
# 10-32 UNF base	35LA-BBE-Dxxx-xxx	35LA-BBF-Dxxx-xxx
1/8" NPTF base	35LA-BAE-Dxxx-xxx	35LA-BAF-Dxxx-xxx

BOTTOM CYLINDER PORTS

Port size	Norm. closed Manifold base	Norm. open Manifold base
Valve less base (universal)	35LA-B00-Dxxx-xxx	35LA-B00-Dxxx-xxx
# 10-32 UNF base	35LA-BGE-Dxxx-xxx	35LA-BGF-Dxxx-xxx
1/8" NPTF base	35LA-BFE-Dxxx-xxx	35LA-BFF-Dxxx-xxx

SOLENOID OPERATOR ▶

D **XX X- X XX***

XX Voltage	X Wire length	X Manual operator	XX Electrical connection
FB 24 VDC (1.8 W)	A 18" (Flying leads)	I Non-locking	KA Square connector
DA 24 VDC (5.4 W)	J Connector		KD Square connector with light
DF 24 VDC (12.7 W)			BA Flying leads

* Other options available, see page 353.

End plate kit required (Port size : 1/4") : M-35003-01

Note : upon request, manifolds are mounted at the factory.

OPTIONS

35LA-EXX-Dxxx-xxx	35A-FXX-Dxxx-xxx	35A-OXX
- N.C. only valve	- universal w/gage port	- no valve body (base only)

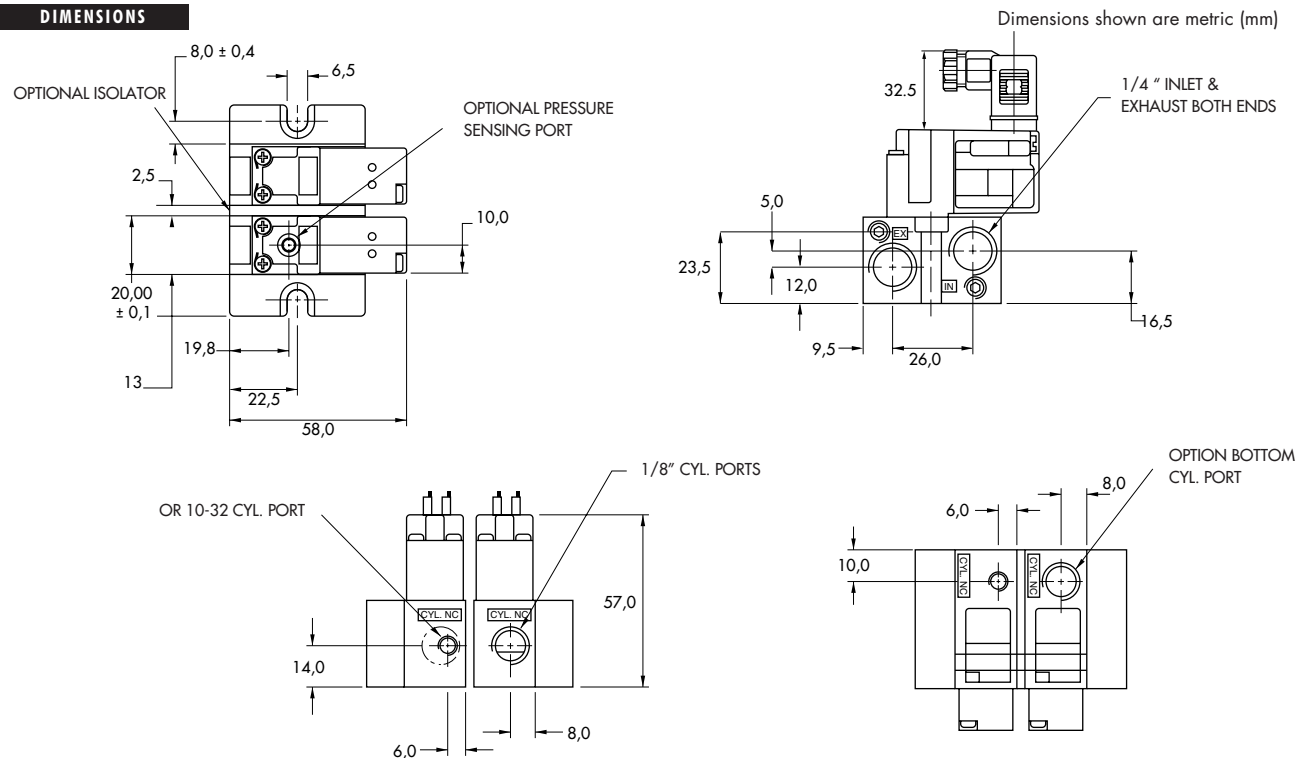
TECHNICAL DATA

Fluid :	Compressed air, vacuum, inert gases
Pressure range :	Vacuum to 120 PSI
Lubrication :	Not required, if used select a medium aniline point lubricant (between 180°F and 210°F)
Filtration :	40 μ
Temperature range :	0°F to 120°F (-18°C to 50°C)
Flow (at 6 bar, ΔP=1bar) :	1.8 W : 0.09 C _v , 5.4 to 12.7 W : 0.1 C _v
Coil :	General purpose class A, continuous duty, encapsulated
Voltage range :	-15% to +10% of nominal voltage
Protection :	Consult factory
Power :	~ Inrush : 10.9 VA Holding : 7.7 VA = 1.8 to 12.7 W
Response times :	24 VDC (5.4 W) Energize : 6 ms De-energize : 2 ms

- Spare parts :
- Solenoid operator (power ≥ 5.4 W) : DXXX-XXX, including mounting screws 35013.
 - Seal (between solenoid and valve body) : 16402. • Pressure seal (between valve and base) : 16447.
 - Pressure seal (between bases) : 16461. • Tie-rod (x2) : 19753. • Inlet isolator : N-35007. • Exhaust isolator : N-35008.
 - Inlet & Exhaust isolator : N-35006.

- Options :
- BSPP threads. • High flow up to 0.18 C_v, according to wattage and high flow mod.

DIMENSIONS





Direct solenoid and solenoid pilot operated valves

Function	Port size	Flow (Max)	Manifold mounting	Series
3/2 NO-NC, 2/2 NO-NC	# 10-32, 1/8"	0.10 C_v	sub-base with pressure regulators	

OPERATIONAL BENEFITS

1. Balanced poppet, immune to variations of pressure.
2. Short stroke with high flow.
3. The patented solenoid develops high shifting forces.
4. Powerful return spring.
5. Manual operator standard on all valves.
6. Burn-out proof solenoid on AC service.



35

100

200

55

56

57

58

59

45

700

900

82

6300

6500

6600

1300

800

ISO 1

ISO 2

ISO 3

MAC 125A

MAC 250A

MAC 500A

HOW TO ORDER

SIDE CYLINDER PORTS

Port size	Norm. closed Manifold base	Norm. open Manifold base
Valve less base (universal)	35LA-B00-Dxxx-xxx	35LA-B00-Dxxx-xxx
# 10-32 UNF base	35LA-BBJ-Dxxx-xxx	35LA-BBK-Dxxx-xxx
1/8" NPTF base	35LA-BAJ-Dxxx-xxx	35LA-BAK-Dxxx-xxx

BOTTOM CYLINDER PORTS

Port size	Norm. closed Manifold base	Norm. open Manifold base
Valve less base (universal)	35LA-B00-Dxxx-xxx	35LA-B00-Dxxx-xxx
# 10-32 UNF base	35LA-BGJ-Dxxx-xxx	35LA-BGK-Dxxx-xxx
1/8" NPTF base	35LA-BFJ-Dxxx-xxx	35LA-BFK-Dxxx-xxx

SOLENOID OPERATOR >

D **XX X- X XX***

XX Voltage	X Wire length	X Manual operator	XX Electrical connection
FB 24 VDC (1.8 W)	A 18" (Flying leads)	I Non-locking	KA Square connector
DA 24 VDC (5.4 W)	J Connector		KD Square connector with light
DF 24 VDC (12.7 W)			BA Flying leads

* Other options available, see page 353.

End plate kit required (Port size : 1/4") : M-35003-01

Note : upon request, manifolds are mounted at the factory.

OPTIONS

35LA-EXX-Dxxx-xxx	35A-FXX-Dxxx-xxx	35A-OXX
- N.C. only valve	- universal w/gage port	- no valve body (base w/regulator)

TECHNICAL DATA

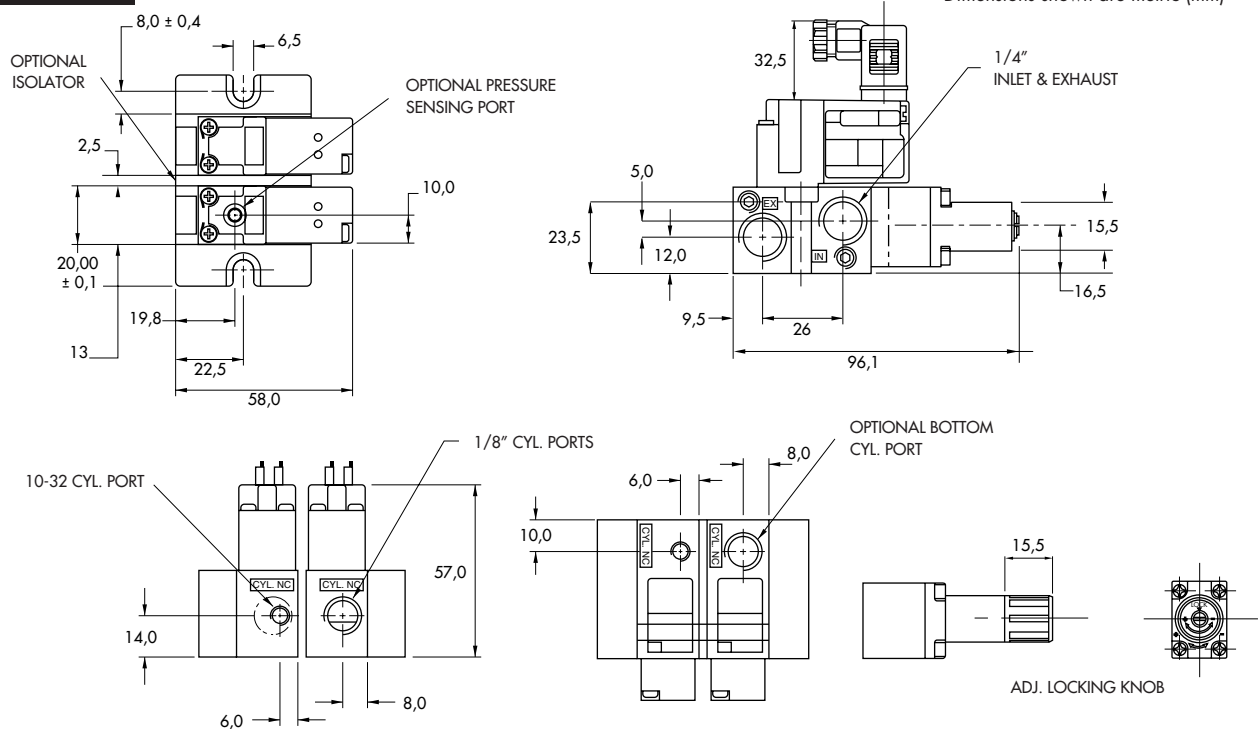
Fluid :	Compressed air, vacuum, inert gases
Pressure range :	Vacuum to 120 PSI
Lubrication :	Not required, if used select a medium aniline point lubricant (between 180°F and 210°F)
Filtration :	40 µ
Temperature range :	0°F to 120°F (-18°C to 50°C)
Flow (at 6 bar, ΔP=1bar) :	1.8 W : 0.09 C _v , 5.4 to 12.7 W : 0.1 C _v
Coil :	General purpose class A, continuous duty, encapsulated
Voltage range :	-15% to +10% of nominal voltage
Protection :	Consult factory
Power :	~ Inrush : 10.9 VA Holding : 7.7 VA = 1.8 to 12.7 W
Response times :	24 VDC (5.4 W) Energize : 6 ms De-energize : 2 ms

- Spare parts :
- Solenoid operator (power ≥ 5.4 W) : DXXX-XXX, including mounting screws 35013.
 - Seal (between solenoid and valve body) : 16402. • Pressure seal (between valve and base) : 16447.
 - Pressure seal (between bases) : 16461. • Tie-rod (x2) : 19753. • Inlet isolator : N-35007. • Exhaust isolator : N-35008.
 - Inlet & Exhaust isolator : N-35006. • Pressure regulator : 35A-00M (ADJ, KNOB) - 35A-00L (SLOTTED STEM).

- Options :
- BSPP threads. • High flow up to 0.18 C_v, according to wattage and high flow mod.

DIMENSIONS

Dimensions shown are metric (mm)





0 p t i o n s

Codification table for voltages / Wire length / Manual operators / Electrical connections

VALVE CODE >

-DXX X - X XX
1 2 3 4

OPTIONS AVAILABLE FOR

- Solenoid valves 35L Series
