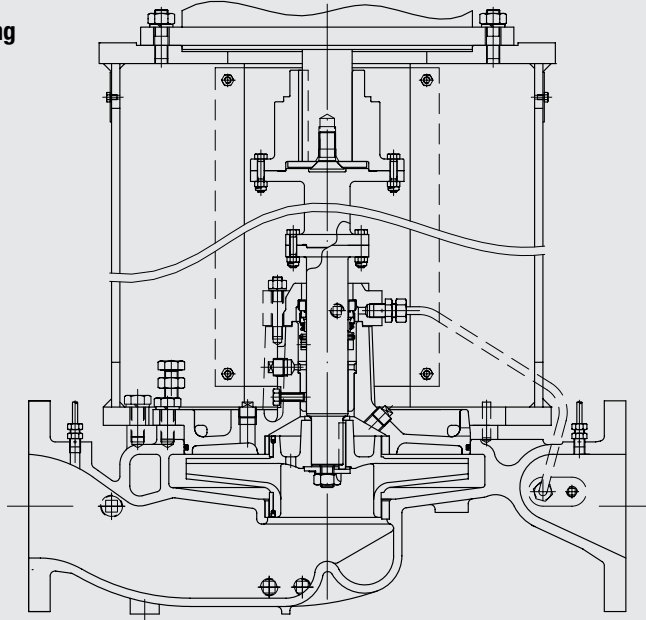


CENTRIFUGAL PUMPS DOLPHIN RANGE

Sectional Drawing



DESCRIPTION

Vertical in-line, single-stage, single/double suction, overhung pumps with rigid coupling, radially split. Option for external bearings/flexible coupling on vertical single suction pumps. Horizontal end suction, single-stage, single suction, overhung pumps close-coupled or base-plated with flexible coupling.

Capacity: 20-1400 m³/h

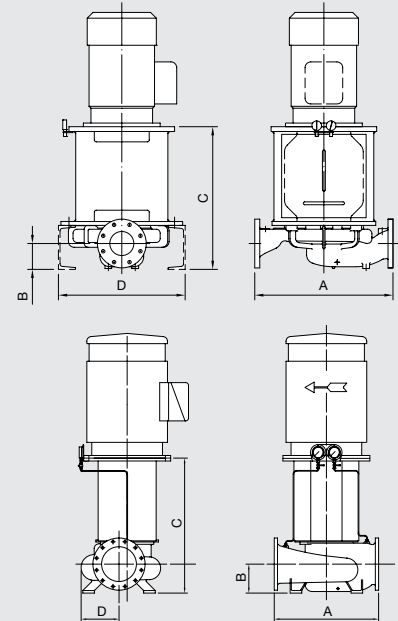
Differential pressure: 10-130 mlc.

TECHNICAL SPECIFICATION

VERTICAL SPACER COUPLED DIMENSIONS

Pump Size	Flange According to BS4504 PN16		Dimensions (mm) - VID/VIF				Weight* (kg) VID/VIF
	Discharge Flange ND	Suction Flange ND	A	B	C	D	
	Single and Double Entry, Vertical, Spacer Dismantling, Non-self Primed						
B080	80	80	580	133	717/876	580	217/286
C080	80	80	640	131	717/876	660	248/318
B125	125	125	640	134	743/923	580	248/320
C125	125	125	720	134	743/923	660	295/360
D125	100	125	760	147	743/923	710	353/424
B200	200	200	760	183	854/1049	710	349/411
C200	200	200	800	183	854/1049	710	370/437
B250	250	250	800	200	1066	330	403
B300	300	300	900	250	1162	327	506
B350	350	350	1040	260	1323	390	832

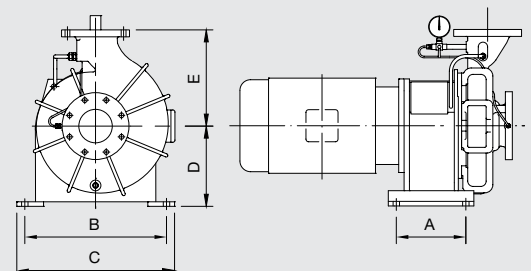
*Approximate Weight (excluding motor)



HORIZONTAL CLOSE COUPLED DIMENSIONS

Pump Size	Flange According to BS4504 PN16		Dimensions (mm) - Min/Max Motor					Weight* (kg)
	Discharge Flange ND	Suction Flange ND	A	B	C	D	E	
	Single Entry, Horizontal, End Suction, Non-self Primed							
B080	80	80	230/290	440/530	500/590	280	290	110/123
C080	80	80	230/290	530	590	300	320	122/126
B125	125	125	230/290	440/530	500/590	280	320	144/159
C125	125	125	230/290	530	590	300	360	169/178
D125	100	125	260/290	560	620	280	380	181/184
B200	200	200	230/290	440/530	500/590	280	380	174/188
C200	200	200	230/290	530	590	300	400	227/230

*Approximate Weight (excluding motor)



Vertical close coupled and horizontal long coupled dimensions are available upon request.

CONSTRUCTION CODE

B200 - V - I - B - 2

BASIC PUMP SIZE

- Single Entry B80
- Single Entry C80
- Single Entry B125
- Single Entry C125
- Single Entry D125
- Single Entry B200
- Single Entry C200
- Double Entry DB250
- Double Entry DB300
- Double Entry DB350

SHAFT AXIS

- V - Vertical
- H - Horizontal

PUMP CASING OPTIONS

- I - Inline
- E - End Suction

PUMP BUILD

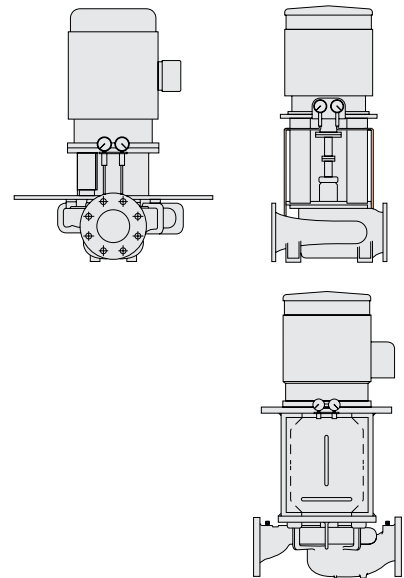
- C - Close-coupled to prime mover, no pump bearing
- K - Close-coupled to prime mover, no pump bearing, steel mounting foot
- D - Rigid spacer coupled to prime mover, product lubricated sleeve bearing
- F - External roller bearings. Flexible spacer coupling to prime mover
- X - External roller bearings. Bare shaft extension
- O - Other special build not allocated individual code

PRIMING OPTIONS

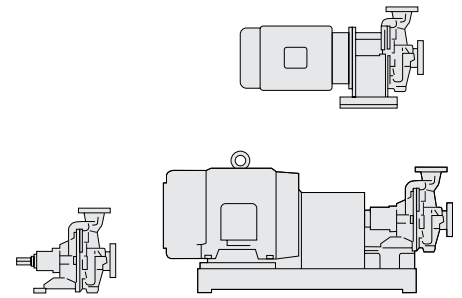
- 1 - Non Self-primed
- 2 - Air Ejector Primed
- 4 - Central Priming System
- 5 - Hand Operated Rotary Bladed Primer
- 6 - Automatic Rotary Bladed Primer
- 8 - Separate Motor-driven Primer
- 0 - Other Special Priming Arrangements

PUMP CONFIGURATION

Vertical



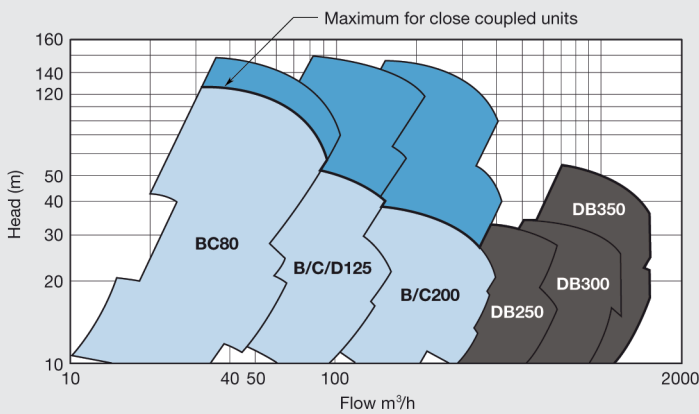
Horizontal



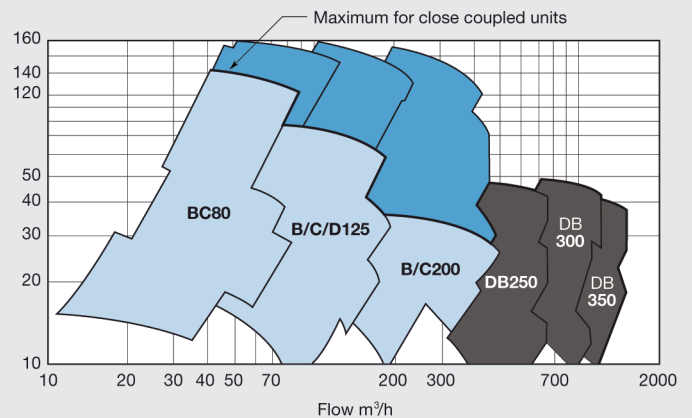
STANDARD MATERIALS OF CONSTRUCTION (SW & FW)

- Casing – Nickel Aluminium Bronze
- Cover – Nickel Aluminium Bronze
- Impeller – Aluminium Bronze
- Shaft – Stainless Steel

CAPACITY RANGE



Dolphin Range Chart 50 Hz



Dolphin Range Chart 60 Hz

CONTACT US

Hamworthy Pumps Singapore Pte Ltd

15 Benoi Crescent
 Singapore 629978
 Singapore
 Tel: +65 6261 6066
 Email: SGPumpSales@hamworthy-pumps.com

Hamworthy Pumps UK Ltd

Unit 4C New Fields Business Park
 Stinsford Road, Poole
 Dorset BH17 0NF
 Tel: +44 (0) 788 6851102
 Email: gbpumps@hamworthy-pumps.com



The manufacturers reserve the right to alter the specification and data to incorporate improvements in design. Certified drawings will be issued on request.

© All details copyright Hamworthy Pumps

Website: www.hamworthy-pumps.com