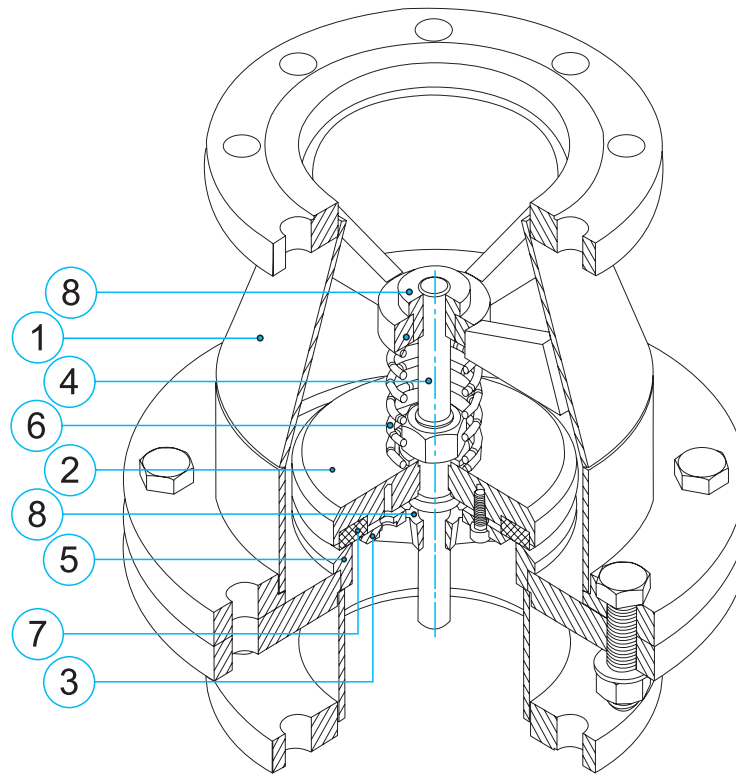


**NON SLAM SPRING
CHECK VALVE**

SERIES - NSCV 01



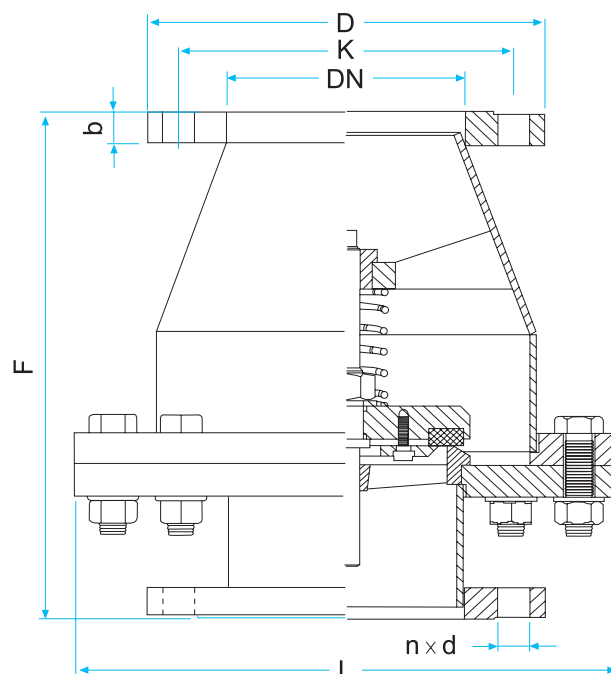
Part's Name and Material



No.	Part Name	Material
1	Body	ST 37 or Ductile iron
2	Disk	ST 37 or Ductile iron
3	Disk Retaining Ring	ST 37 or Ductile iron
4	Shaft	Stainless steel
5	Seat	Stainless steel
6	Spring	Stainless steel
7	Sealing	NBR or EPDM
8	Bushing	Bronze
9	Nuts & Bolts	Galvanized Steel or Stainless steel

We can manufacture with full stainless steel material as per request of customer.

Non Slam Spring Check Valve Dimension, PN16



DN(mm)	L(mm)	F(mm)	Flange Dimension PN16				Weight (kg)
			D	K	b	Nut & Bolt	
50	210	250	165	125	20	4 (M16)	33
65	210	270	185	145	20	4 (M16)	44
80	280	280	200	160	20	8 (M16)	44
100	335	330	220	180	20	8 (M16)	58
125	335	380	250	210	20	8 (M16)	70
150	370	390	285	240	25	8 (M20)	90
200	470	460	340	295	25	12 (M20)	115
250	520	530	405	355	25	12 (M24)	178
300	585	630	460	410	30	12 (M24)	235
350	630	690	520	470	30	16 (M24)	260
400	690	750	580	525	30	16 (M27)	338
450	750	810	640	585	35	20 (M27)	405
500	810	880	715	650	35	20 (M30)	500
600	1010	1000	840	770	35	20 (M33)	630
700	1170	1130	910	840	35	24 (M33)	895
800	1280	1250	1025	950	40	24 (M36)	1280
900	1385	1380	1125	1050	40	28 (M36)	1590
1000	1485	1500	1255	1170	45	28 (M39)	2200

For size bigger than 1000mm, we give dimension as per customer request.



Dembla

Sales Office:

M/S. Dembla Valves Ltd.
C-30, Jai Matadi Compound, Kalher
Village, Thane-Bhiwandi-Agra Raod -
421302,
Maharashtra, India.
Tel - +91-9292234790 - 97
E-mail - expo@dembla.com
[More info - www.dembla.com](http://www.dembla.com)

Works:

M/S. Dembla Valves Ltd.
A/8, Arahm Logistic, Valshind Village,
Mumbai -Nashik Highway
(NH3), Bhiwandi
Thane - 421302. Maharashtra (India)

