



Metal Housed Globe Teflon Valve

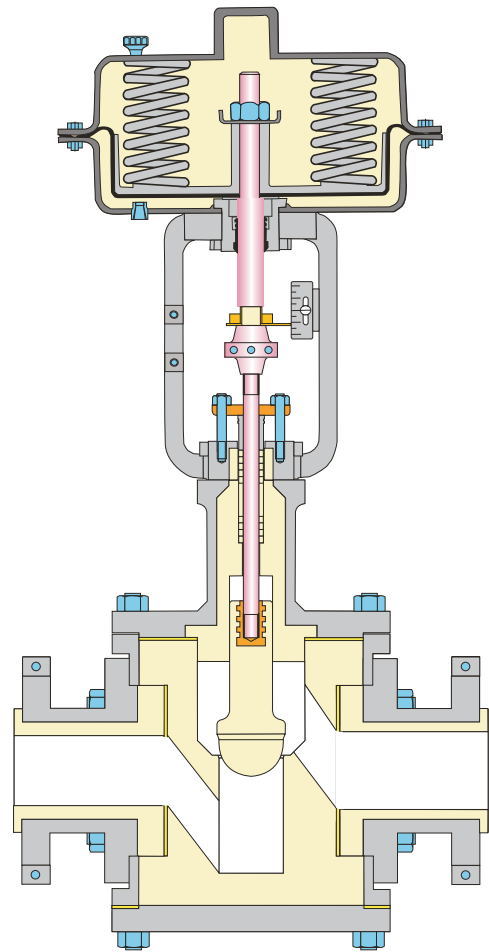
SERIES - MH -1500



Friendly With Chemicals

FORWARD

Series 1500MH valves are Globe Two Way Control Valves with all wetted parts in Teflon (P.T.F.E.) material. Body internals are made out of Teflon (P.T.F.E.) bar stock and armoured by 'Metal' housing. These valves are highly recommended for handling corrosive liquids and vapours. Plug integral of Teflon (P.T.F.E.) provide tight shut off closure.



GREATER SAFETY YOU GET

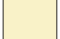




- No more thinner linings - Chances of porosity, detachment and peel off avoided. Body set made out of rugged PTFE bar stock, encapsulated in sturdy metal housing.
- Greater safety against pin holes and cracks which are very common in lining process. Body set ensured to min. 20 KV electrostatic SPARK TEST.
- Greater safety under vacuum. Thanks to extra heavy bar stock body
- Greater resistance to permeation and absorption under Chemical attack.
- Greater safety in environmental protection when handling hazardous chemicals. Rugged metal housing absorbs loads and stresses transmitted from piping and its own actuator.
- Thermal resistance to 180°C.

SPECIFICATIONS

Operating Pressure	: 16 Bar Max.
Temperature Range	: 180 °C Max.
Characteristics	: Equal percentage, Linear and On-off
Sizes Available	: ½" thru 4" 15mm thru 100mm
Flanges	: ANSI 150#, Equivalent in BS and DIN
Housing Material	: Carbon Steel, SS 316
Bonnet	: Standard version with Two sets of V-Teflon Gland Packings
Actuator	: Multispring Diaphragm Actuator only
Manual Overrides	: Top Mounted Version
Accessories	: Pneumatic Valve Positioner, Electro Pneumatic (E/P) Valve Positioner, Air Filter Regulator, Air Lock Relay, Air Volume Booster, Limit Switch, Proximity Switch, Solenoid Valve, Position Transmitter etc.

PARTS ILLUSTRATED

SR. NO.	PARTS	MATERIAL OF CONSTRUCTION
1	VALVE STEM	HAST 'C' / SS 316 PTFE LINED
2	GLAND FLANGE	HAST 'C'
3	GLAND	PTFE
4	PACKING SPREADER	PTFE
5	V-RINGS	PTFE
6	LANTERN RING	PTFE
7	PACKING WASHER	PTFE
8	BONNET HOUSING	A216 Gr.WCB / A351Gr. CF8M
9	BONNET SLEEVE	PTFE
10	BODY STUDS / NUTS	SS 304
11	BONNET GASKET	PTFE
12	VALVE PLUG	PTFE WITH HAST 'C' INSERT
13	END CONNECTION SLEEVE	PTFE
14	END CONNECTION GASKET	PTFE
15	VALVE BODY	PTFE
16	BODY HOUSING	A216 Gr.WCB / A351 Gr. CF8M

	PTFE
	A216 Gr. WCB
	HAST 'C'
	SS 304
	SS 316

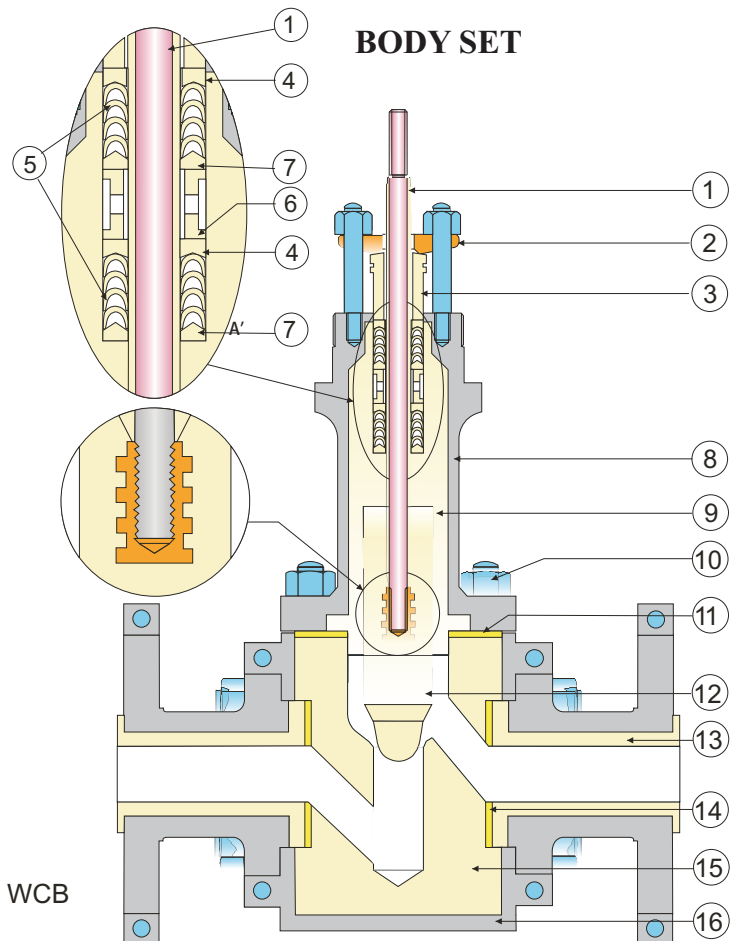
TYPICAL PROPERTIES OF PTFE

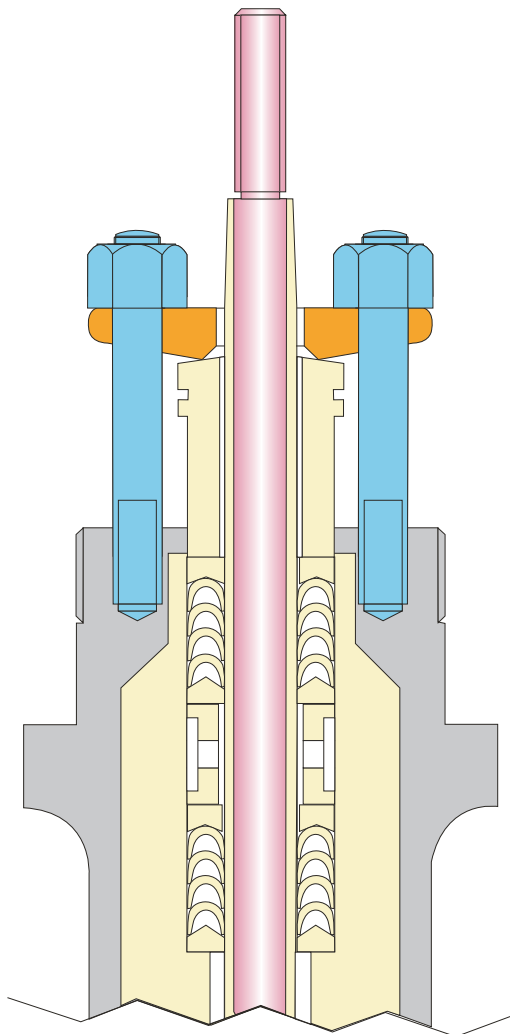
Hardness	: 60-65 Shore D
Continuous Service Temperature	: -200 °C to +180 °C
Coefficient of Friction	: 0.12 (Dynamic)

TRIMS

The plugs are made out of Teflon (P.T.F.E.) bar stock. A Hast 'C' Insert is moulded inside the plug for the stem to plug thread connection. The P.T.F.E lined valve stem is connected to the P.T.F.E. valve plug using a TAPER CONNECTION and tightened to a Press-Fit sealing avoiding any possibilities of fluid leakage to the plug metal insert or threads of valve stem. The plug forces are taken care by metal stem thread to metal plug insert moulded into the plug.

The seat is also Teflon (P.T.F.E.) and is integral to the body.





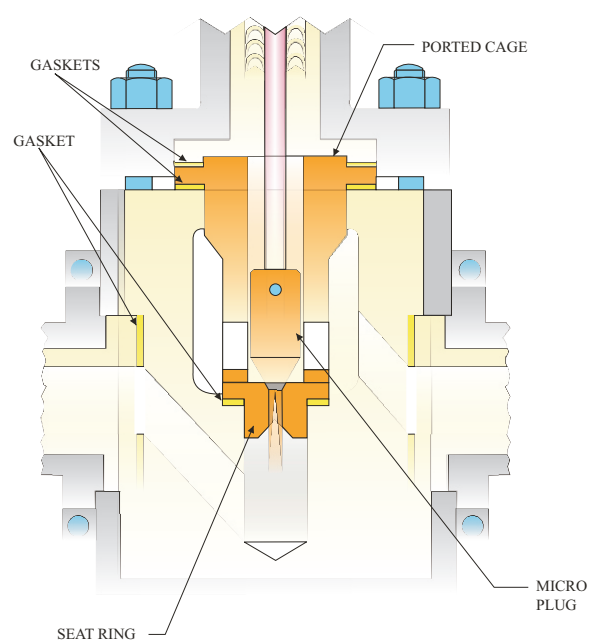
STUFFING BOX WITH DOUBLE GLAND PACKING ARRANGEMENT

DOUBLE GLAND PACKING ARRANGEMENT

The Metal Housed Teflon (P.T.F.E.) Valves are offered with double gland packing arrangement as an alternate to bellows seal arrangements. The arrangement consists of two individual sets of V-Teflon rings separated by lantern ring. The arrangement provides total sealing against valve stem and stuffing box. Figure shows a cross sectional view of special variation in the concept of the most popular conventional, bolted, single packing arrangements. First set of packing rings is always under influence of full pressure of the fluid. Any corrosive / toxic fluid, that has tendency to leak past the first set of Packing Rings, tries to accumulate in the region of lower lantern ring. But here, it is comparatively at a low pressure and its effectiveness to leak past the barrier of the second set of packing rings is minimum. Each Teflon Chevron ring has been designed, not only to arrest the gland leak but also to act as a wiper ring, so that the wetness is not carried forward during stem moving outward. Thus this Double packing arrangement is wonderfully effective in stem sealing, reliable and far less expensive than a Bellows seal arrangement.

MICRO TRIMS

Micro trims are available with ported cage guided plugs. Complete Trim Set comprising of Valve Plug, Stem, Cage and Seat Ring are in Hast 'C' or superior metal - well compatible with fluid corrosion.



VALVE BODY SET WITH MICRO TRIM

Cv VALUES

For Valves with Contoured Plug Trims

MH -1500

VALVE SIZE		TRIM SIZE		Cv VALUES
INCH	MM	INCH	MM	USGPM
1/2	15	1	25	09
3/4 and 1 2	20 and 5	3/4	20	07
		1/2	15	05
		3/8	10	04
		5/16	08	03
		1/4	06	02
		3/16	05	1.5
		1/8	03	01
1	1/40	1	1/40	20
		1	1/4 32	16
		1	25	13
2	50	2	50	32
		1	1/2 40	24
		1	1/4 32	16
		2 1/2	65	60
2	1/265	2	50	40
		1	1/2 40	30
3	80	3	80	80
		2	1/2 65	70
		2	50	50
		4	100	140
4	100	3	80	100
		2 1/2	65	80
		2	50	50

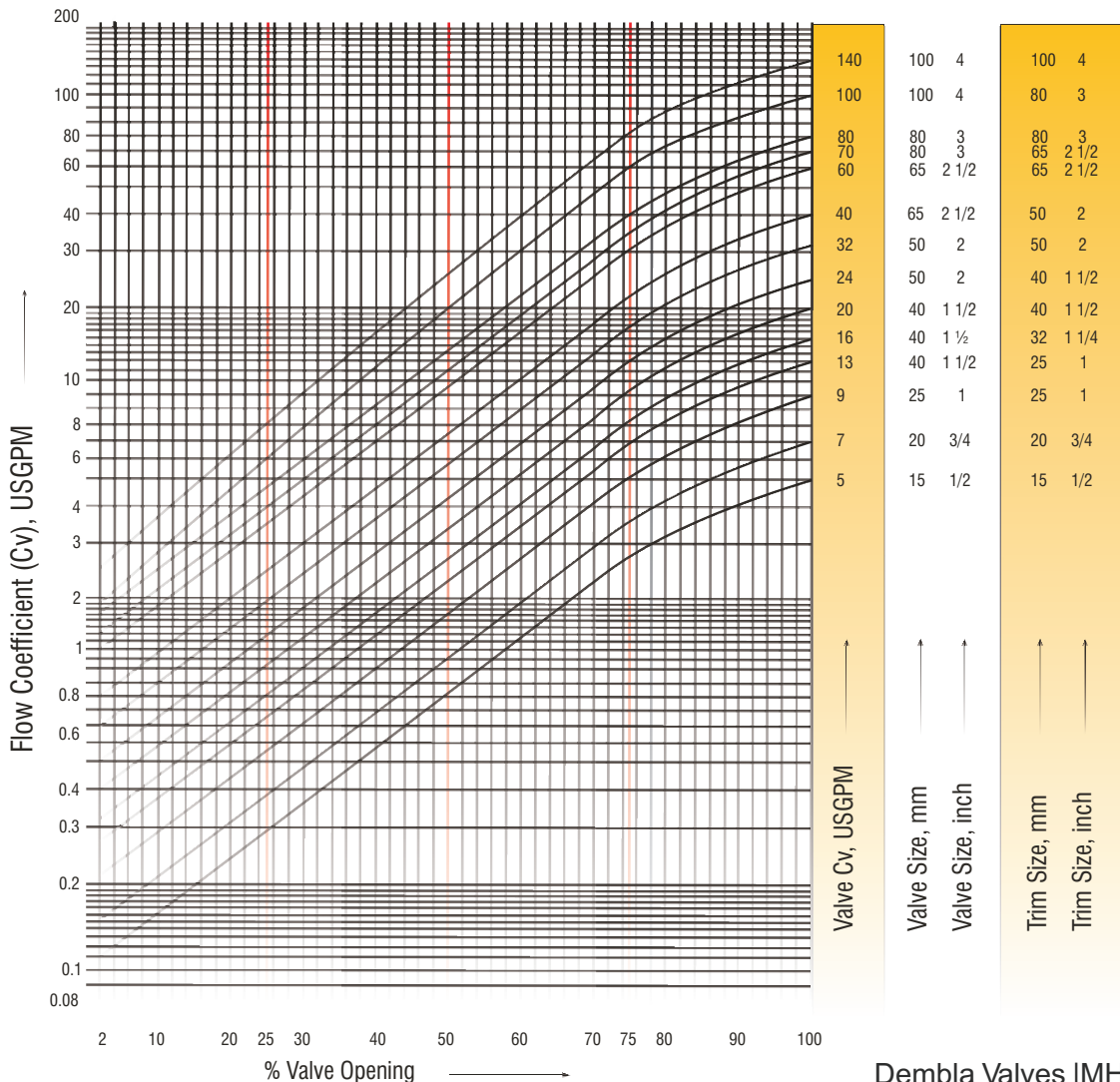
For Valves with Micro Trims

VALVE SIZE		TRIM SIZE	Cv VALUES
INCH	MM		USGPM
1/2 3/4 1	15 20 25	M	0.003
		L	0.005
		K	0.0075
		J	0.01
		I	0.02
		H	0.03
		G	0.05
		F	0.075
		E	0.1
		D	0.15
		C	0.2
		B	0.3
A	0.4		
	1/32" (0.75mm)	0.5	
	1/16" (1.6mm)	0.75	

NOTE :

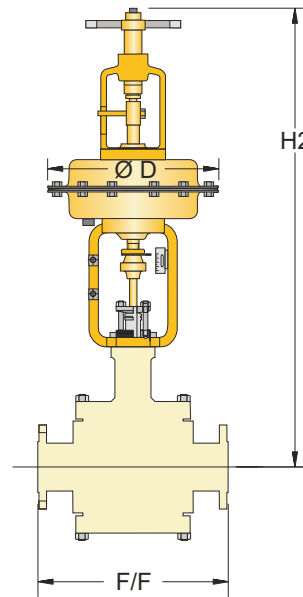
The above mentioned trim sizes are designated sizes only, the actual seat bore for all above sizes is 4mm.

FLOW CHARACTERISTICS (EQUAL PERCENTAGE)

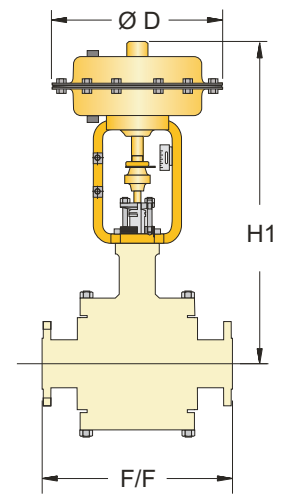


OVERALL DIMENSIONS

VALVE SIZE INCH	STD. ACTUATOR	F/F	HEIGHT (MM)		ØD
			H1	H2	
½, ¾, 1	RM-01	251	523	743	290
	DM-01				
1 ½	RM-11	291	581	805	290
	DM-11				
1 ½	RM-12	291	633	920	380
	DM-12				
2	RM-11	337	581	805	290
	DM-11				
2	RM-12	337	633	920	380
	DM-12				
2 ½	RM-22	420	732	1018	380
	DM-22				
2 ½	RM-23	420	780	1120	452
	DM-23				
3	RM-22	475	769	1055	380
	DM-22				
3	RM-23	475	817	1157	452
	DM-23				
4	RM-22	590	798	1084	380
	DM-22				
4	RM-23	590	846	1186	452
	DM-23				



WITH TOP MOUNTED HANDWHEEL



WITHOUT HANDWHEEL



Dembla

Sales Office:

M/S. Dembla Valves Ltd.
C-30, Jai Matadi Compound, Kalher
Village, Thane-Bhiwandi-Agra Road -
421302,
Maharashtra, India.
Tel - +91-9292234790 - 97
E-mail - expo@dembla.com
[More info - www.dembla.com](http://www.dembla.com)

Works:

M/S. Dembla Valves Ltd.
A/8, Arahm Logistic, Valshind Village,
Mumbai -Nashik Highway
(NH3), Bhiwandi
Thane - 421302. Maharashtra (India)