

Miniature direct acting 2, 3-port solenoid valve

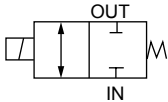
# UMB1/UMG1 Series

- NC (open when energized), universal
- Working fluid: Water/pure water
- Port size: Stainless steel pipe with O.D.  $\phi$ 1.26 x I.D.  $\phi$ 0.9

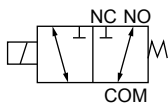


## JIS symbol

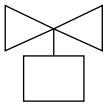
- UMB1 (2-port)  
: NC (open when energized)



- UMG1 (3-port)  
: Universal



## Mounting orientation



## Specifications

Item	UMB1	UMG1
Working fluid	Water/pure water	
Proof pressure MPa	0.6 ( $\approx$ 87 psi, 6 bar) (water pressure)	
Working pressure MPa	0 ( $\approx$ 0 psi, 0 bar) to 0.2 ( $\approx$ 29 psi, 2 bar)	
Fluid temperature $^{\circ}$ C	5 (41 $^{\circ}$ F) to 55 (131 $^{\circ}$ F)	
Ambient temperature $^{\circ}$ C	0 (32 $^{\circ}$ F) to 55 (131 $^{\circ}$ F)	
Valve seat leakage $\text{cm}^3/\text{min}$	0 (water pressure)	
Port size	Stainless steel pipe with O.D. $\phi$ 1.26 x I.D. $\phi$ 0.9	
Orifice size mm	0.9	
Cv	0.01	
Mounting orientation	Vertical direction with the coil down	
Weight kg	0.03	
Volumetric capacity $\mu\text{l}$	80 (*1)	
Response time ms	8 or less	
<b>Electrical specifications</b>		
Rated voltage	24 VDC/12 VDC	
Voltage fluctuation range	$\pm$ 10%	
Power consumption W	1.5	
Leakage current mA	0.4 or less (24 VDC)/0.7 or less (12 VDC) (*2)	
Thermal class	Class 130 (B)	

\*1 : Volume of wetted parts formed by the body and main valving element. Note that piping volume is excluded.

\*2 : The leakage current from the control circuit must be equal to or less than the values shown in the table.

\*3 : Do not apply torque exceeding 0.3 N·m on the mounting bolt (M3).

## How to order

UM(B)1 - T1 - DC12V

Model No.

**A** Number of ports

**B** Rated voltage

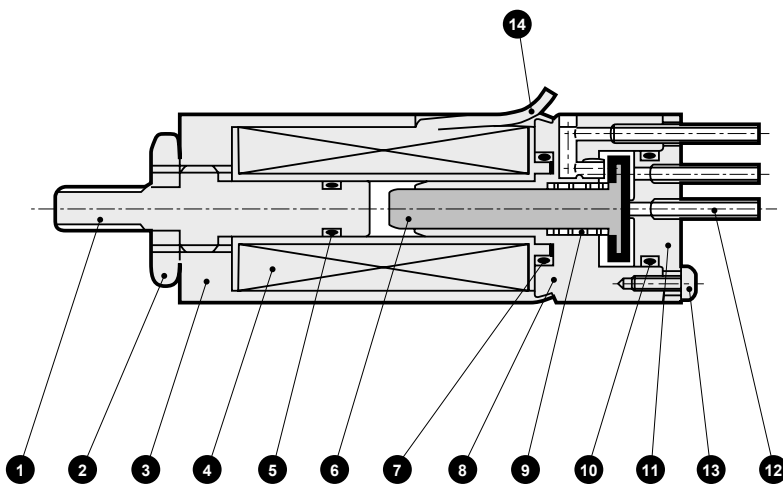
Code	Description
<b>A Number of ports</b>	
<b>B</b>	2-port valve
<b>G</b>	3-port valve
<b>B Rated voltage</b>	
<b>DC12V</b>	12 VDC
<b>DC24V</b>	24 VDC

EXA  
FWD  
HNB/G  
USB/G  
FAB/G  
FGB/G  
FVB  
FWB/G  
FHB  
FLB  
AB  
AG  
AP/  
AD  
APK/  
ADK  
DryAir  
EX-  
XPLNprf  
XPLNprf  
HVB/  
HVL  
S  $\diamond$  B/  
NAB  
LAD/  
NAD  
Water-  
Rela  
NP/NAP/  
NVP  
SNP  
CHB/G  
MXB/G  
Other  
valves  
SWD/  
MWD  
DustColl  
CVE/  
CVSE  
CCH/  
CPE/D  
LifeSci  
Gas-  
Combus  
Auto-  
Water  
Outdoor  
SpecFld  
Custom  
Ending

# UMB1/UMG1 Series

## Internal structure and parts list

● UMG1-T1



Cannot be disassembled

No.	Part name	Material	No.	Part name	Material
1	Core A	SUS304 or equiv. Stainless steel	8	Body	SUS304 or equiv. Stainless steel
2	Hexagon nut	SWRM3 Steel	9	Spring	SUS304 Stainless steel
3	Bonnet	SUYB Iron	10	O-ring	FKM Fluoro rubber
4	Coil	— (Wetted parts: PBT) (Polybutylene terephthalate)	11	Cap	SUS304 or equiv. Stainless steel
5	O-ring	FKM Fluoro rubber	12	Connection pipe	SUS304 Stainless steel
6	Plunger	SUS304 or equiv., FKM Stainless steel, fluoro rubber	13	Cross-recessed pan head machine screw	SUS304 Stainless steel
7	O-ring	FKM Fluoro rubber	14	Lead wire	—

## Dimensions



● UMB1-T1  
● UMG1-T1

