



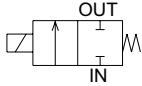
Metal-free 2-port solenoid valve

MKB3 Series

- NC (open when energized)
- Working fluid: Water/pure water/chemical liquids
- Port size: M6/1/4-28UNF



JIS symbol

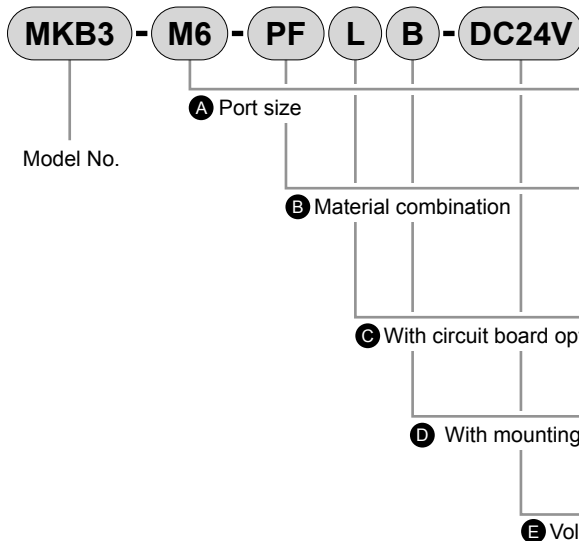


Specifications

Item	MKB3	
Actuation	NC (open when energized)	
Working fluid	Water/pure water/chemical liquids (fluids that do not corrode wetted part materials)	
Proof pressure MPa	0.5 (≈73 psi, 5 bar) (water pressure)	
Working pressure MPa	-0.08 (≈-12 psi, -0.8 bar) to 0.25 (≈36 psi, 2.5 bar)	
Back pressure MPa	0 (≈0 psi, 0 bar) to 0.25 (≈36 psi, 2.5 bar)	
Fluid temperature °C	5 (41°F) to 50 (122°F)	
Ambient temperature °C	5 (41°F) to 50 (122°F)	
Atmosphere	No explosive or corrosive atmospheres	
Valve seat leakage cm ³ /min	0 (water pressure)	
Port size	M6, 1/4-28UNF	
Orifice size mm	1.5	
Cv	0.04	
Valve structure	Diaphragm direct acting valve	
Mounting orientation	Unrestricted	
Weight g	50	
Electrical specifications		
Rated voltage	24 VDC/12 VDC	
Voltage fluctuation range	±5%	
Power consumption W	Standard	2.5
	Energy saving With circuit	2.5 (*2)
	Starting Holding	1
Leakage current mA	1.0 or less (24 VDC)/2.0 or less (12 VDC) (*3)	
Thermal class	Class 130 (B)	

- *1: When using sodium hypochlorite (soda), select FKM for the diaphragm material.
 (EPDM will deteriorate over long-term use even with tap water levels of residual chlorine)
 For 0.1% or less effective concentration, perform functional testing according to your application before use.
 Do not attempt to use effective chlorine concentration exceeding 0.1%.
- *2: Time from energizing to 200 ms.
- *3: The leakage current from the control circuit must be equal to or less than the values shown in the table.
- *4: As this product has an integrated electronic circuit board, do not use it in very humid atmospheres.
- *5: Solenoid valve has polarity. Connect the red lead wire to the plus (+) side. (With circuit board option: for L)
- *6: After the solenoid valve is completely switched OFF, set an interval of one second or more before switching it ON the next time. (With circuit board option: for L)
- *7: For the mounting plate option, slide the product in the piping direction by pulling the lever to remove from the mounting plate.

How to order



Code	Description
A Port size	
M6	M6
4U	1/4-28UNF
B Material combination	
	Body material Diaphragm material
PF	PPS FKM
PE	PPS EPDM
C With circuit board option	
Blank	No option
L	With lamp/energy saving board
D With mounting plate option	
B	With mounting plate (standard) *1
N	Without mounting plate *2
E Voltage	
DC24V	24 VDC
DC12V	12 VDC

- *1 : Mounting plate is attached.
 *2 : Cannot be installed with discrete solenoid valve without mounting plate.

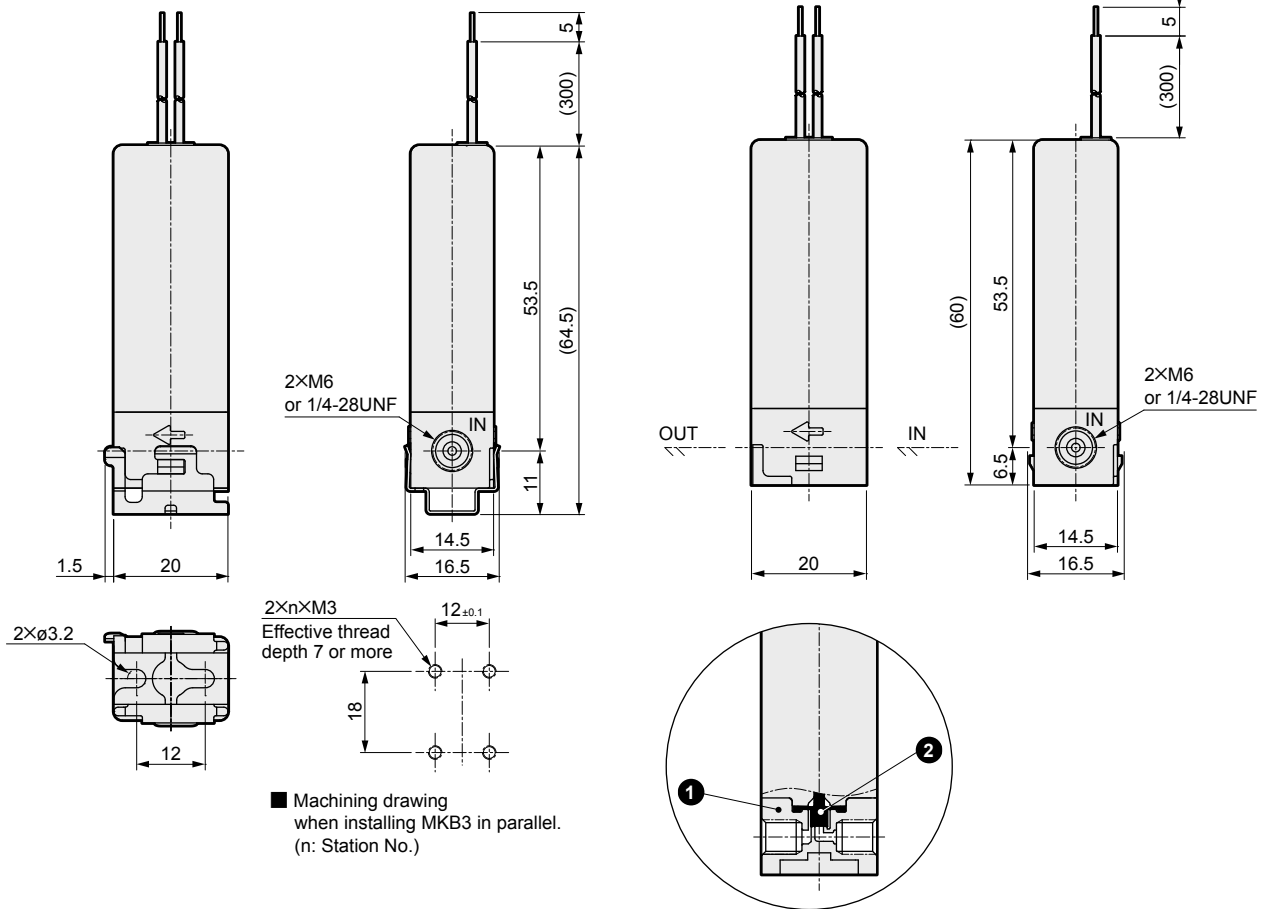
EXA
 FWD
 HNB/G
 USB/G
 FAB/G
 FGB/G
 FVB
 FWB/G
 FHB
 FLB
 AB
 AG
 AP/AD
 APK/ADK
 DryAir
 EX-XPLNprf
 XPLNprf
 HVB/HVL
 S/B/NAB
 LAD/NAD
 Water-Rela
 NP/NAP/NVP
 SNP
 CHB/G
 MXB/G
 Other valves
 SWD/MWD
 DustColl
 CVE/CVSE
 CCH/CPE/D
 LifeSci
 Gas-Combus
 Auto-Water
 Outdoor
 SpecFld
 Custom
 Ending

MKB3 Series

Dimensions

● With mounting plate (standard)

● Without mounting plate



Cannot be disassembled

Main part material

No.	Part name	Material	
①	Body	PPS	Polyphenylene sulfide
②	Diaphragm	FKM, EPDM	Fluoro rubber, ethylene propylene rubber

- EXA
- FWD
- HNB/G
- USB/G
- FAB/G
- FGB/G
- FVB
- FWB/G
- FHB
- FLB
- AB
- AG
- AP/AD
- APK/ADK
- DryAir
- EX-XPLNprf
- XPLNprf
- HVB/HVL
- S \diamond B/NAB
- LAD/NAD
- Water-Rela
- NP/NAP/NVP
- SNP
- CHB/G
- MXB/G
- Other valves
- SWD/MWD
- DustColl
- CVE/CVSE
- CCH/CPE/D
- LifeSci
- Gas-Combus
- Auto-Water
- Outdoor
- SpecFld
- Custom
- Ending