



Compact direct acting 2-port solenoid valve

HNB1 Series

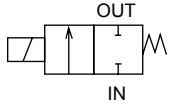
- NC (open when energized)
- Port size: M5



- EXA
- FWD
- HNB/G
- USB/G
- FAB/G
- FGB/G
- FVB
- FWB/G
- FHB
- FLB
- AB
- AG
- AP/AD
- APK/ADK
- DryAir
- EX-XPLNprf
- XPLNprf
- HVB/HVL
- S◇B/NAB
- LAD/NAD
- Water-Rela
- NP/NAP/NVP
- SNP
- CHB/G
- MXB/G
- Other valves
- SWD/MWD
- DustColl
- CVE/CVSE
- CCH/CPE/D
- LifeSci
- Gas-Combus
- Auto-Water
- Outdoor
- SpecFld
- Custom
- Ending

JIS symbol

- NC (open when energized)



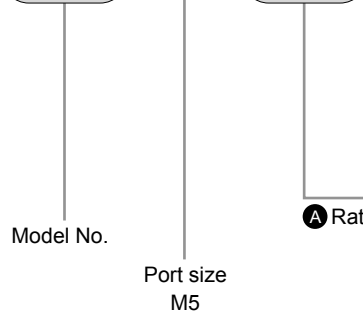
Specifications

Item	HNB1-M5
Working fluid	Air/water/dry air/low vacuum [1.33×10^2 Pa(abs)]
Working pressure differential MPa	0 (≈ 0 psi, 0 bar) to 0.7 (≈ 100 psi, 7 bar)
Proof pressure (water pressure) MPa	1.0 (≈ 150 psi, 10 bar)
Fluid temperature °C	-10 (14°F) to 40 (104°F) (no freezing)
Ambient temperature °C	-20 (-4°F) to 40 (104°F) (no freezing)
Valve seat leakage cm ³ /min	0 (water pressure)
Mounting orientation	Unrestricted
Weight g	43
Port size	M5
Orifice size mm	1.0
Cv	0.03
C[dm ³ /(s·bar)]	0.11
b	0.34
Electrical specifications	
Rated voltage	24 VDC (Option 12 VDC)
Voltage fluctuation range	$\pm 10\%$
Power consumption W	2.5
Leakage current mA	1 or less
Thermal class	Class 130 (B)

*1 : Effective cross-sectional area S and sonic conductance C are converted as $S \approx 5.0 \times C$.

How to order

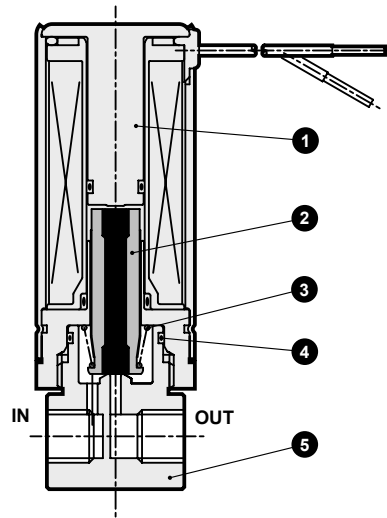
HNB1 - M5 - DC24V



Code	Description
A Rated voltage	
DC24V	24 VDC
DC12V	12 VDC

Internal structure and parts list

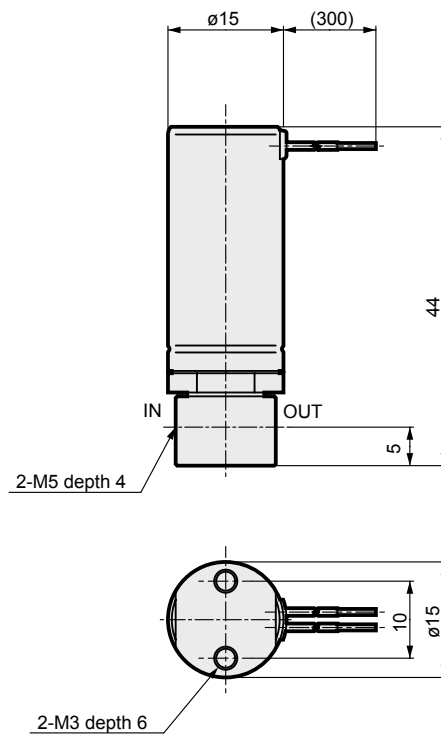
● HNB1



No.	Part name	Material	
1	Core assembly	PPS, STKM, SUS	Resin, stainless steel
2	Plunger assembly	SUS, NBR	Stainless steel, nitrile rubber
3	Spring	SUS304	Stainless steel
4	O-ring	NBR	Nitrile rubber
5	Body	SUS303	Stainless steel

Dimensions

● HNB1



EXA
FWD
HNB/G
USB/G
FAB/G
FGB/G
FVB
FWB/G
FHB
FLB
AB
AG
AP/AD
APK/ADK
DryAir
EX-XPLNprf
XPLNprf
HVB/HVL
S \varnothing B/NAB
LAD/NAD
Water-Rela
NP/NAP/NVP
SNP
CHB/G
MXB/G
Other valves
SWD/MWD
DustColl
CVE/CVSE
CCH/CPE/D
LifeSci
Gas-Combus
Auto-Water
Outdoor
SpecFld
Custom
Ending



Compact direct acting 3-port solenoid valve

HNG1 Series

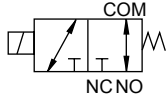
- Universal
- Port size: M5



- EXA
- FWD
- HNB/G
- USB/G
- FAB/G
- FGB/G
- FVB
- FWB/G
- FHB
- FLB
- AB
- AG
- AP/AD
- APK/ADK
- DryAir
- EX-XPLNprf
- XPLNprf
- HVB/HVL
- S \diamond B/NAB
- LAD/NAD
- Water-Rela
- NP/NAP/NVP
- SNP
- CHB/G
- MXB/G
- Other valves
- SWD/MWD
- DustColl
- CVE/CVSE
- CCH/CPE/D
- LifeSci
- Gas-Combus
- Auto-Water
- Outdoor
- SpecFld
- Custom
- Ending

JIS symbol

- Universal



Specifications

1 MPa = 10 bar

Item	HNG1-M5
Working fluid	Air/water/dry air/low vacuum [1.33×10^2 Pa(abs)]
Working pressure differential MPa	0 (≈ 0 psi) to 0.7 (≈ 100 psi) (0 (≈ 0 psi) to 0.3 (≈ 44 psi) when NO pressurized)
Proof pressure (water pressure) MPa	1.0 (≈ 150 psi, 10 bar)
Fluid temperature °C	-10 (14°F) to 40 (104°F) (no freezing)
Ambient temperature °C	-20 (-4°F) to 40 (104°F) (no freezing)
Valve seat leakage cm ³ /min	0 (water pressure)
Mounting orientation	Unrestricted
Weight g	46
Port size	M5
Orifice size mm	1.0
Cv	0.03
C[dm ³ /(s·bar)]	0.11
b	0.34
Electrical specifications	
Rated voltage	24 VDC (Option 12 VDC)
Voltage fluctuation range	$\pm 10\%$
Power consumption W	2.5
Leakage current mA	1 or less
Thermal class	Class 130 (B)

*1 : Effective cross-sectional area S and sonic conductance C are converted as $S \approx 5.0 \times C$.

How to order

HNG1 - M5 - DC24V

Model No.

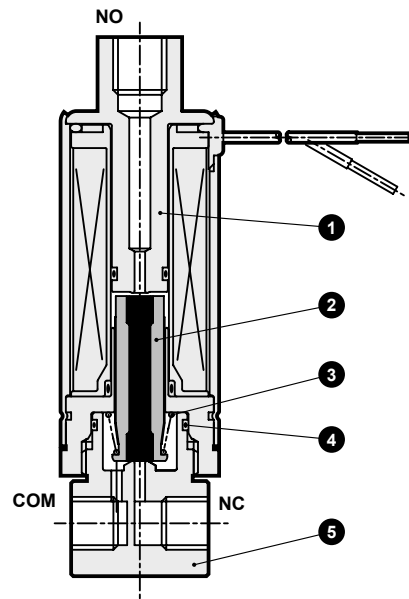
Port size
M5

A Rated voltage

Code	Description
A Rated voltage	
DC24V	24 VDC
DC12V	12 VDC

Internal structure and parts list

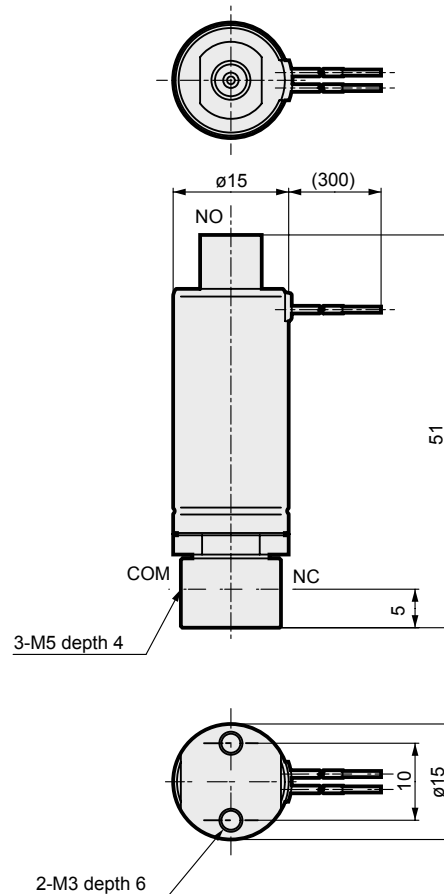
● HNG1



No.	Part name	Material	
1	Core assembly	PPS, STKM, SUS	Resin, stainless steel
2	Plunger assembly	SUS, NBR	Stainless steel, nitrile rubber
3	Spring	SUS304	Stainless steel
4	O-ring	NBR	Nitrile rubber
5	Body	SUS303	Stainless steel

Dimensions

● HNG1



EXA
FWD
HNB/G
USB/G
FAB/G
FGB/G
FVB
FWB/G
FHB
FLB
AB
AG
AP/ AD
APK/ ADK
DryAir
EX- XPLNprf
XPLNprf
HVB/ HVL
S ϕ B/ NAB
LAD/ NAD
Water- Rela
NP/NAP/ NVP
SNP
CHB/G
MXB/G
Other valves
SWD/ MWD
DustColl
CVE/ CVSE
CCH/ CPE/D
LifeSci
Gas- Combus
Auto- Water
Outdoor
SpecFld
Custom
Ending