

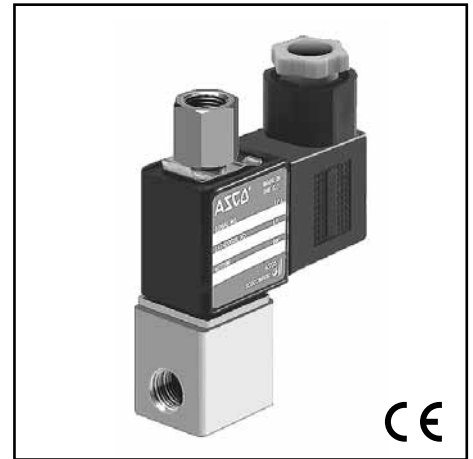
FEATURES

- Direct acting three way compact valves which also can be used on sub-base manifolds
- Valves do not require a minimum operating pressure
- Internal parts are accessible for cleaning
- The solenoid valves satisfy all relevant EC Directives

GENERAL

| | |
|-----------------------|-------------------------------|
| Differential pressure | 0 to 10 bar [1 bar = 100 kPa] |
| Maximum viscosity | 65 cSt (mm ² /s) |
| Response times | 5 - 25 ms |

| fluids (*) | temperature range (TS) | seal materials (*) |
|----------------------------|------------------------|---------------------------------------|
| air, inert gas, water, oil | -20 to +90°C | NBR (nitrile) FPM (fluorelastomer) |



MATERIALS IN CONTACT WITH FLUID

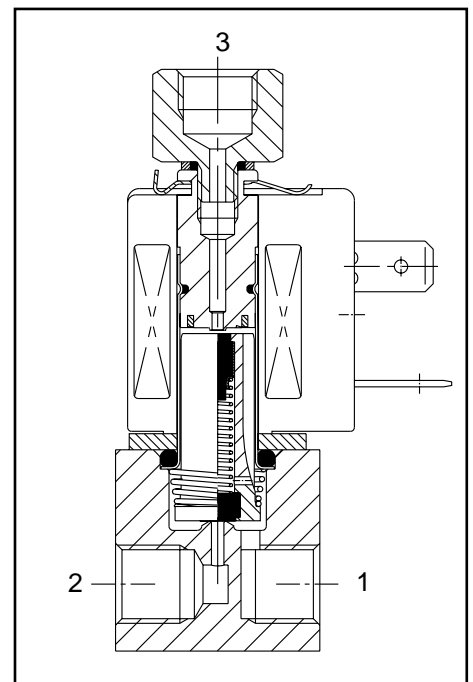
(*) Ensure that the compatibility of the fluids in contact with the materials is verified

| | Brass body | Stainless steel body |
|------------------|-----------------|----------------------|
| Body | Brass | AISI 303 SS |
| Core tube | Stainless steel | Stainless steel |
| Core and plugnut | Stainless steel | Stainless steel |
| Springs | Stainless steel | Stainless steel |
| Seal & discs | NBR | FPM |
| Shading coil | Copper | Copper |

ELECTRICAL CHARACTERISTICS

| | |
|---------------------------------------|---------------------------------------|
| Coil insulation class | F |
| Connector | Spade plug (cable Ø 6-8 mm) |
| Connector specification | DIN 43650, 11 mm, industry standard B |
| Electrical safety | IEC 335 |
| Standard voltages | DC (=): 24V |
| (Other voltages and 60 Hz on request) | AC (-): 24V - 115V - 230V / 50 Hz |

| coil type | power ratings | | | | ambient temperature range (TS) (°C) | protection |
|-----------|---------------|---------|-----|----------|-------------------------------------|--------------|
| | inrush | holding | | hot/cold | | |
| | (VA) | (VA) | (W) | (W) | | |
| CM22-FT | - | - | - | 5 / 6,9 | -20 to +75 | moulded IP65 |
| CM22-FB | 14,5 | 11 | 6,3 | - | -20 to +50 | |



SPECIFICATIONS

| pipe size | orifice size | flow coefficient Kv | | | | operating pressure differential (bar) | | | | | | catalogue number | | OPTIONAL | | | | |
|---------------------------|--------------|---------------------|---------|---------------------|---------|---------------------------------------|--------------|-----------|---------|-------|-----------------|------------------|------------|-------------|------|---|---|---|
| | | main orifice | | top exhaust | | min. | maximum (PS) | | | brass | stainless steel | FPM (1) | EPDM | CR | PTFE | | | |
| | | (m ³ /h) | (l/min) | (m ³ /h) | (l/min) | | air (*) | water (*) | oil (*) | | | | | | | | | |
| G | (mm) | (m ³ /h) | (l/min) | (m ³ /h) | (l/min) | | ~ | = | ~ | = | ~ | = | | | | | | |
| U Universal | | | | | | | | | | | | | | | | | | |
| 1/8 | 1,2 | 0,05 | 0,8 | 0,06 | 1,0 | 0 | 7,0 | 4,5 | 6,0 | 3,5 | 6,0 | 2,5 | SCG325B001 | SCG325B031V | V | E | J | T |
| | 1,6 | 0,08 | 1,3 | 0,06 | 1,0 | 0 | 4,0 | 3,0 | 4,0 | 2,0 | 4,0 | 1,5 | SCG325B002 | SCG325B032V | V | E | J | T |
| | 2,4 | 0,15 | 2,5 | 0,06 | 1,0 | 0 | 2,0 | 1,0 | 2,0 | 1,0 | 1,5 | 1,0 | SCG325B003 | SCG325B033V | V | E | J | T |
| | 3,2 | 0,20 | 3,3 | 0,06 | 1,0 | 0 | 1,0 | 0,8 | 1,0 | 0,8 | 1,0 | 0,8 | SCG325B004 | SCG325B034V | V | E | J | T |
| NC Normally closed | | | | | | | | | | | | | | | | | | |
| 1/8 | 1,2 | 0,05 | 0,8 | 0,06 | 1,0 | 0 | 10,0 | 10,0 | 10,0 | 10,0 | 8,0 | 8,0 | SCG325B005 | SCG325B035V | V | E | J | T |
| | 1,6 | 0,08 | 1,3 | 0,06 | 1,0 | 0 | 7,0 | 7,0 | 7,0 | 7,0 | 5,0 | 5,0 | SCG325B006 | SCG325B036V | V | E | J | T |
| | 2,4 | 0,15 | 2,5 | 0,06 | 1,0 | 0 | 4,0 | 4,0 | 4,0 | 4,0 | 2,5 | 2,5 | SCG325B007 | SCG325B037V | V | E | J | T |
| | 3,2 | 0,20 | 3,3 | 0,06 | 1,0 | 0 | 2,5 | 2,5 | 2,5 | 2,5 | 2,0 | 2,0 | SCG325B008 | SCG325B038V | V | E | J | T |
| NO Normally open | | | | | | | | | | | | | | | | | | |
| 1/8 | 1,2 | 0,05 | 0,8 | 0,06 | 1,0 | 0 | 7,0 | 7,0 | 7,0 | 5,0 | 7,0 | 3,5 | SCG325B009 | SCG325B039V | V | E | J | T |
| | 1,6 | 0,08 | 1,3 | 0,06 | 1,0 | 0 | 7,0 | 4,0 | 7,0 | 2,5 | 7,0 | 2,0 | SCG325B010 | SCG325B040V | V | E | J | T |
| | 2,4 | 0,15 | 2,5 | 0,06 | 1,0 | 0 | 7,0 | 1,5 | 7,0 | 1,5 | 6,0 | 1,5 | SCG325B011 | SCG325B041V | V | E | J | T |
| | 3,2 | 0,20 | 3,3 | 0,06 | 1,0 | 0 | 5,0 | 1,0 | 5,0 | 1,0 | 4,5 | 1,0 | SCG325B012 | SCG325B042V | V | E | J | T |

(1) Standard in stainless steel body valves, optional in brass body.

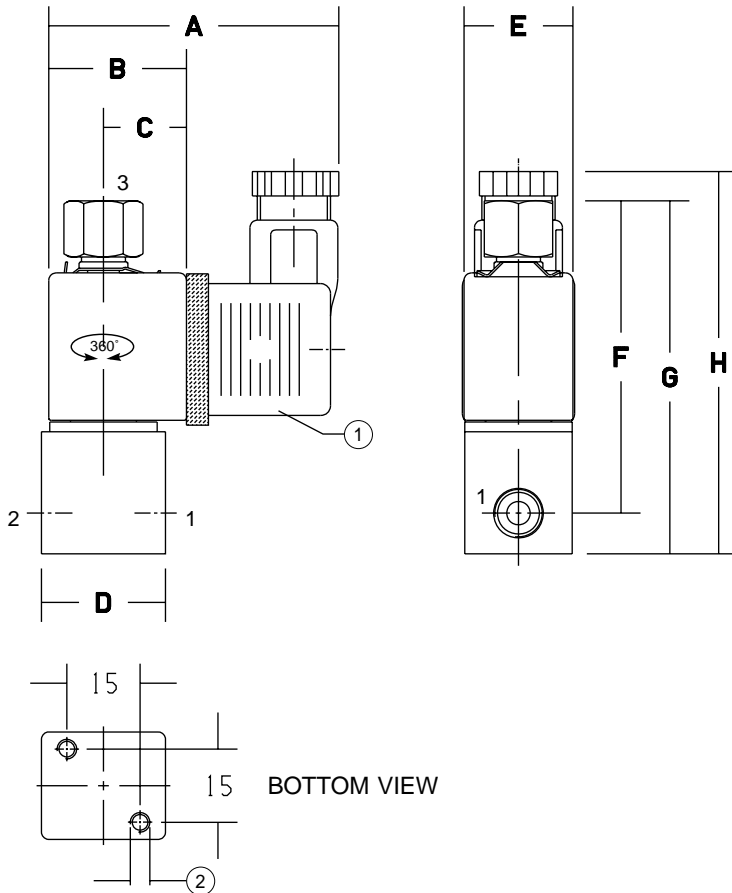
OPTIONS

- Valves can also be supplied with EPDM (ethylene-propylene), CR (chloroprene) and PTFE seals and discs. Use the appropriate optional suffix letter for identification
- Encapsulated, EEx m, for hazardous locations according to "ATEX/CENELEC" and national standards
- Coils with leads
- Manual operator
- Plug with visual indication and with peak voltage suppression or with cable length of 2m
- Valves are suitable for sub-base gangmounting and can be supplied with manifolds up to 4, 8 or 12 valves, if requested

INSTALLATION

- The valves can be mounted in any position without affecting operation
- 2 mounting holes are provided in the body
- Pipe connection identifier is: G = (ISO 228/1)
- Installation/maintenance instructions are included with each valve

DIMENSIONS (mm), WEIGHT (kg)



- ① possibility to turn 180° to 180°
 ② 2 mounting holes Ø M4, depth 9 mm

| catalogue number SCG325B | A | B | C | D | E | F | G | weight (1) |
|-----------------------------|----|----|----|----|----|----|----|------------|
| 001 ... 012 | 59 | 28 | 17 | 25 | 22 | 63 | 71 | 0,20 |
| 031 ... 042 | | | | | | | | 0,20 |

(1) Including coil and connector