

# Micro-solenoid valve(3/2 way)

## CPV10 Series



### Specification

Model	CPV10
Fluid	Air(to be filtered by 40 μm filter element)
Acting	Direct acting
Nominal diameter	Φ0.55mm
Effective area	P to A:0.25mm <sup>2</sup> (Cv=0.014); A to R:0.35mm <sup>2</sup> (Cv=0.02)
Valve type	3/2 way
Weight	micro-solenoid valve
	15g
Terminal line	050: 4.6g
	200: 21.4g
Screw(2pcs)	0.46g
Operating pressure	0~0.8MPa(0~114psi)
Proof pressure	1.2MPa(175psi)
Temperature	-20~70℃
Standard voltage	AC220V AC110V DC24V DC12V
Scope of voltage	DC±10%; AC+15%~-10%
Protection	Dustproof
Temperature classification	F Class
Power consumption	DC: 0.9W; AC: 1.5VA
Electrical entry	Terminal
Activating time	on<7ms; off<7ms

### Symbol



### Product feature

1. With anti-surge component can avoid the damage of solenoid valve.
2. Multi-direction installation and polarless circuit design.
3. AC voltage models possess a built-in full wave rectifier circuit to reduce the noise effectively.
4. Various of standard voltages: AC220V, AC110V, DC24V, DC12V.
5. Low starting voltage and long service life.
6. Equipped with a push-turn locking manual override for adjustment and troubleshooting.

### Ordering code

#### Ordering code of valve

**CPV 10 B P-050**

① ② ③ ④ ⑤

① Model	② Width of body	③ Voltage	④ Code of manual override	⑤ Wire length [Note1]
CPV: CPV series Micro-solenoid valve	10: 10mm	A: AC220V B: DC24V C: AC110V F: DC12V	P: With manual override	050: 0.5m 200: 2.0m

[Note1] Contain two M1.6 screws.

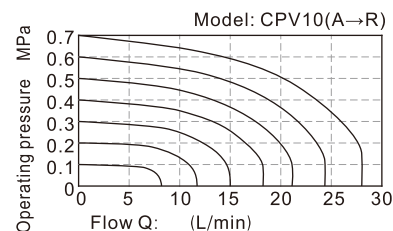
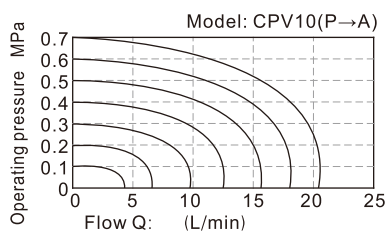
#### Ordering code of terminal wire

**CPV T 050**

① ② ③

① Model	② Terminal wire	③ Wire length
CPV: CPV series Micro-solenoid valve	T: Terminal wire	050: 0.5m    200: 2.0m

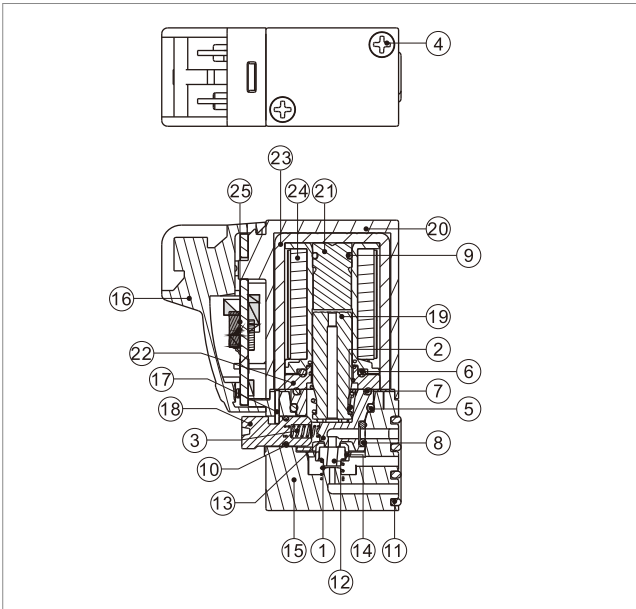
### Flow chart



# Micro-solenoid valve(3/2 way)

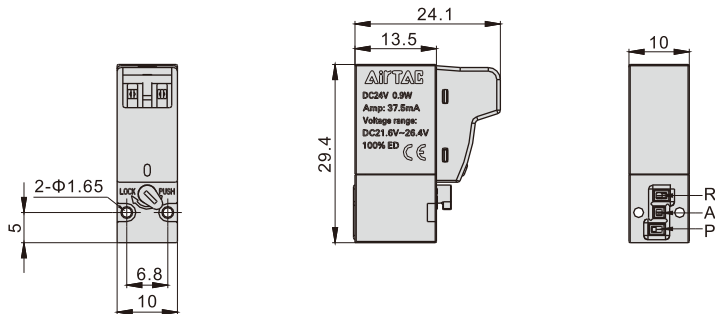
## CPV10 Series

### Inner structure



No.	Item	Material	No.	Item	Material
1	Spring	Stainless steel	14	mandril	Resin
2	Spring	Stainless steel	15	Body	Resin
3	Spring	Stainless steel	16	Connector shell	Resin
4	Screw	Carbon steel	17	Manual pin plate	Stainless steel
5	O-ring	NBR	18	Manual pin	Brass
6	O-ring	NBR	19	Movable core	Stainless steel
7	O-ring	NBR	20	Cover	Resin
8	O-ring	NBR	21	Electromagnet	Stainless steel
9	O-ring	NBR	22	Plate	Carbon steel
10	O-ring	NBR	23	U shape bracket	Carbon steel
11	Gasket	NBR	24	Coil	
12	Gasket	NBR	25	PCB assembly	
13	Crater	Resin			

### Dimensions



### Installation and Application

1. Micro-solenoid valve assembly:  
Fastened with torque of 0.1~0.15N.m by two M1.6X14L screws.
2. Wiring instruction:  
Multi-direction installation and polar less circuit design.  
Note: The terminal wire is non-polarity.
3. Prevent to connect AC coils in series with other devices.

