

# Solenoid valve(3/2 way)

## 3V3 Series



### Symbol



### Product feature

1. Direct acting type and normally closed mode, flexible in direction change.
2. Normally closed and normally open types are optional.
3. Structure in coaxial blanking mode: leakage proof and large air flow.
4. No need to add oil for lubrication.
5. Affiliated manual devices are equipped to facilitate installation and debugging.
6. Several standard voltage grades are optional.
7. Can be used under vacuum condition.

### Specification

Model	3V308
Fluid	Air(to be filtered by 40µm filter element)
Acting	Direct acting
Port size [Note1]	1/4"
Valve type	3 port 2 position
Orifice size	11mm <sup>2</sup> (Cv=0.62)
Lubrication	Not required
Operating pressure	Common vacuum 0~0.8MPa(0~114psi) -102.2kPa~0.1MPa(-1.45~14.2psi)
Proof pressure	1.2MPa(175psi)
Temperature	-20~70°C
Material of body	Aluminum alloy

[Note1] PT thread, G thread and NPT thread are available.

### Coil specification

Item	specification
Standard voltage	AC220V, AC110V, AC24V, DC24V, DC12V
Scope of voltage	AC: ±15% DC: ±10%
Power consumption	AC: 10VA DC: 6.5W
Protection	IP65(DIN40050)
Temperature classification	B Class
Electrical entry	Terminal, Grommet
Activating time	0.05 sec and below
Max. frequency [Note1]	10 cycle/sec

[Note1] The maximum actuation frequency is in the no-load state.

### Ordering code

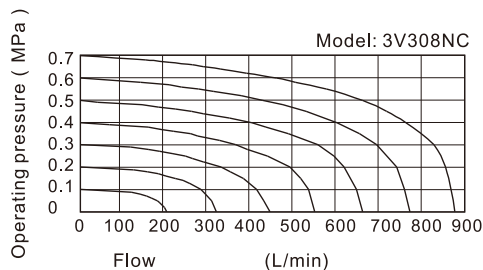
3V 3 08 NC A □ □



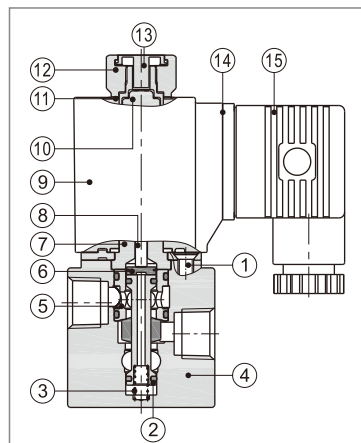
① Model	② Code	③ Port size	④ Acting type	⑤ Standard voltage	⑥ Electrical entry	⑦ Thread type
3V: Solenoid valve (3/2 way)	3: 3 Series	08: 1/4"	NC: Normally closed NO: Normally opened	A: AC220V B: DC24V C: AC110V E: AC24V F: DC12V	Blank: Terminal I: Grommet[Note]	Blank: PT G: G T: NPT

[Note] The wire length is 0.5m.

### Flow chart



### Inner structure



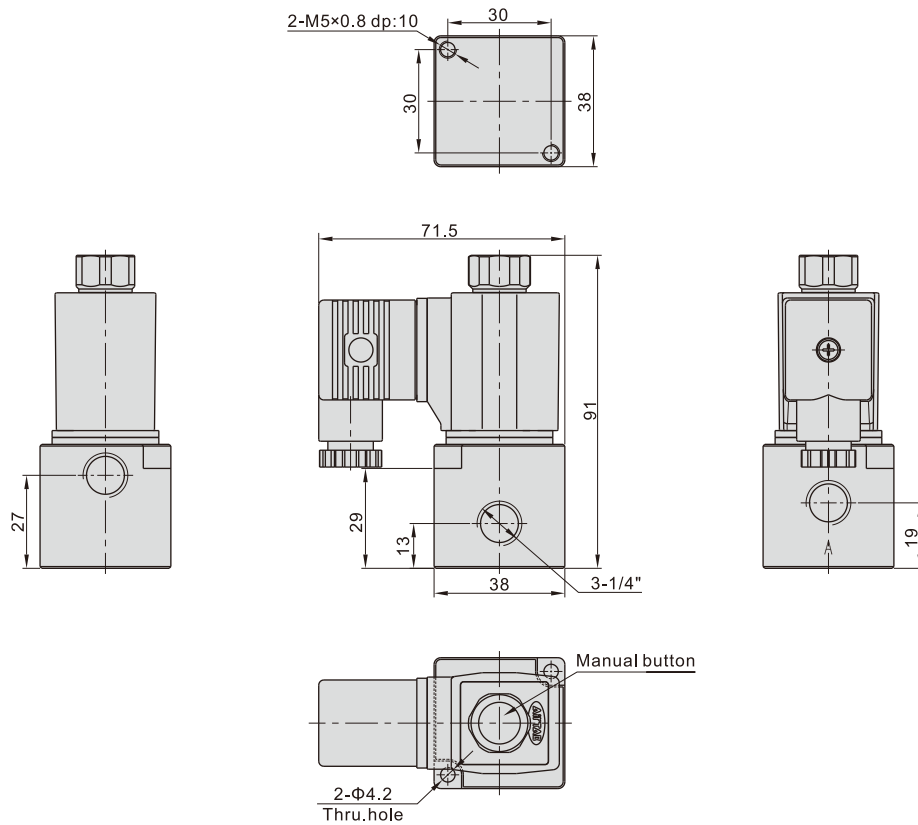
No.	Item	No.	Item
1	Pilot screw	9	Coil
2	Spool	10	Armature
3	Spring	11	Washer
4	Body	12	Coil nut
5	Washer	13	Manual button
6	Spacer	14	Gasket
7	Electromagnet set	15	Connector
8	Man drill		

# Solenoid valve(3/2 way)

## 3V3 Series

### Dimensions

#### Terminal



#### Grommet

