

Kerotest/Marsh N Series Needle Valves Soft Seat, 316 Stainless Steel and Alloy Steel, Standard Port



Product Brief

Recommended where bubble-tight seal and shutoff of liquids or gases are required. The design includes a replaceable Delrin® sleeve insert for added life value. Kerotest/Marsh “N” Series Needle Valves are used in processing plants, oil and gas production, hydraulic and pneumatic equipment, testing labs—anywhere the flow of fluid must be carefully regulated.

Features/Benefits

- **Maximum operating pressure:** 6,000 psi (42,000 kPa).
- **Minimum burst pressure:** 12,000 psi (84,000 kPa).
- **Temperature limits:** -20° to 200° F (-28° to 93° C).
- **Flow coefficients (C_v):** See part number table.
- **Body and bonnet material:** 316 stainless steel or AISI 1045 alloy steel.
- **Stem material:** 316 stainless steel with stainless body, 303 stainless steel with alloy steel body.
- **Bonnet cap (protective cover):** Polyethylene, red.
- **Packing:** Vitron® O-ring and Teflon® backup ring (nylon backup ring for 1" size).
- **Handle:** Two-prong. Stainless steel for 1/4" through 1/2" sizes. Malleable iron for 1" stainless steel. Cast aluminum for alloy 1/4" through 1/2" sizes. Malleable iron for alloy 1" size.
- **Connection:** National Pipe Thread, meeting specifications of Federal Standard H-28.
- **Finish:** Stainless steel is passivated (surface contamination removed). Alloy steel has a zinc-plated finish.
- **Assembly:** Bonnet-pin lock is standard for all soft-seat needle valves.



An Employee-Owned Company

Kerotest/Marsh N Series Needle Valves Soft Seat, 316 Stainless Steel and Alloy Steel, Standard Port

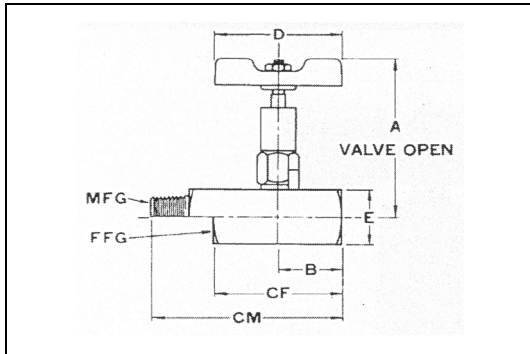
Specifications

Pattern	NPT Size	Part No. 316 SST	Part No. Alloy	C _v
FFG	1/4"	N5312	N5512	0.6
	1/2"	N5314	N5514	0.7
	1"	N5318	N5518	14.5
MFG	1/4"	N5332	N5532	0.8
	1/2"	N5334	N5534	0.9
	1/4" x 1/2"	N5335	N5535	0.8

Pattern	NPT Size	Part No. 316 SST	Part No. Alloy	C _v
MFA	1/4"	—	N5572	0.7
	1/2"	—	N5574	0.7

Dimensions

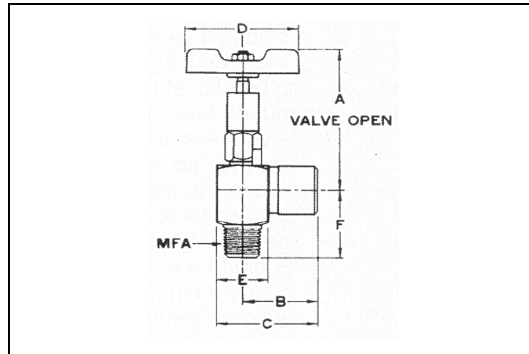
FFG and MFG



Dimension	Nominal Size (in Inches)			
	1/4"	1/2"	1/4" x 1/2"	1"
A	3-21/64	3-21/64	3-21/64	6-3/4
B	1	1-1/4	1	2-1/32
CF	2	2-1/2	—	4-1/16
CM	3-3/8	3-3/4	3-15/32	—
D	2-1/2	2-1/2	2-1/2	4-1/2
E	1-1/8	1-1/8	1-1/8	2-1/4
①	3/16 SP	3/16 SP	3/16 SP	5/8
①	7/32 FP	7/32 FP	7/32 FP	5/8

① Orifice.

MFA



Dimension	Nominal Size (in Inches)	
	1/4"	1/2"
A	3-1/4	3-1/4
B	1-7/64	1-7/64
C	1-41/64	1-41/64
D	2-1/2	2-1/2
E	1-1/8	1-1/8
F	1-9/16	1-9/16
①	3/16	3/16

① Orifice.

All product names referenced herein are trademarks of their respective companies.



Kerotest Manufacturing Corp.

5500 Second Avenue • Pittsburgh, PA 15207
412.521.7688 • Fax: 412.521.5990
www.Kerotest.com • Sales@Kerotest.com