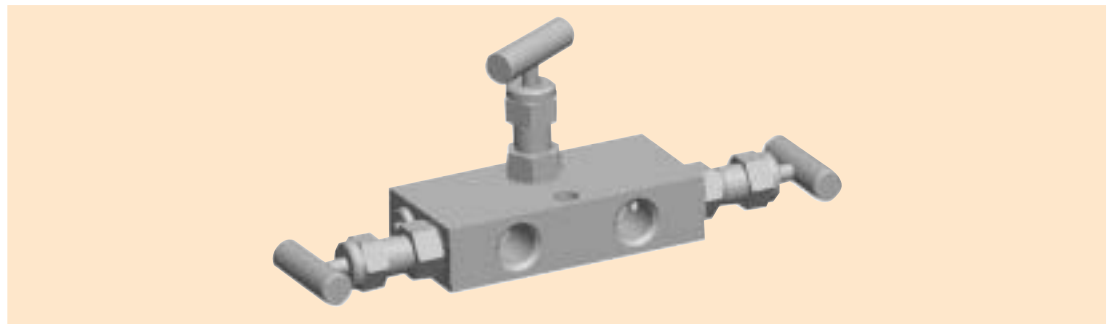


Kerotest KMM1 3-Valve Differential Pressure Mini-Manifold



Product Brief

The KMM1 is a miniature 3-valve manifold designed for remote installation in confined spaces. It is ideal for cabinet mounting and also for portable devices due to its low profile and efficient flow characteristics. This style manifold is often used to set differential pressure switches and other instruments during process or plant start-up. Both hard and soft seat versions are available. The KMM1 manifold is installed in the lines between the process and the instrument, and also used with miniature differential pressure-measuring devices.

Features/Benefits

- **Bubble-tight shutoff.**
- **Replaceable seat design.**
- **Space-saving, compact design.**
- **One valve does the work of three.**
Saves money and labor.
- **O-ring stem seal option** isolates the stem threads from the process, preventing galling and corrosion due to exposure to the process.
- **Rolled stem threads** for increased strength and life.
- **No more stem blowouts.** Backseat stem design prevents blowout problems.
- **Less parts** mean less leak points and less fugitive emissions.
- **1/8-inch test ports.**

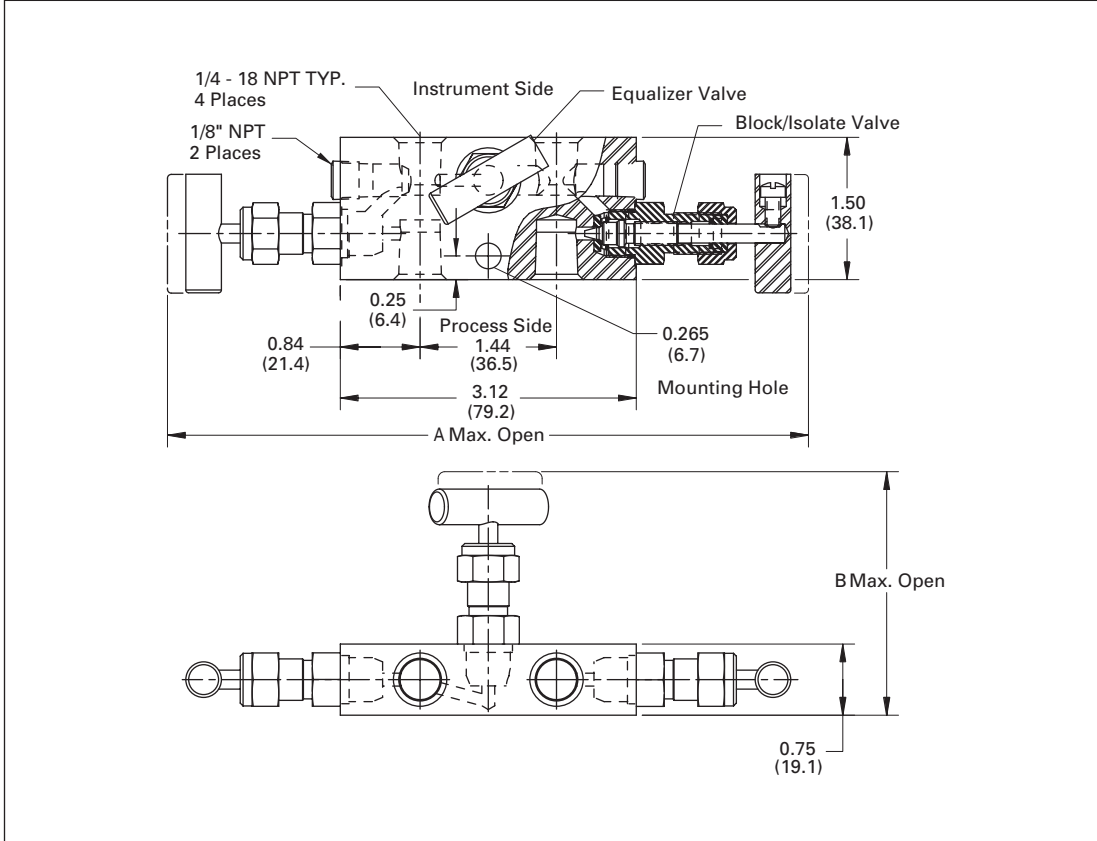


An Employee Owned Total Quality Management Company

Kerotest KMM1 3-Valve Differential Pressure Mini-Manifold

Specifications

Dimensions in Inches (mm)



Dimensions in Inches (mm)

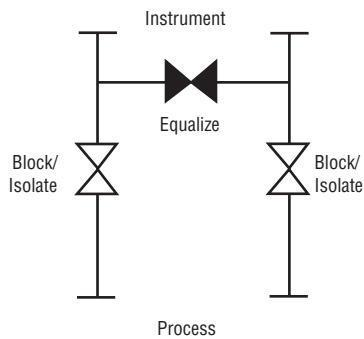
Packing	A	B
O-ring	5.62 (142.7)	2.00 (50.8)
Teflon®	6.82 (173.2)	2.60 (66.0)

Notes:

Approximate valve weight: 1.0 lb (0.4 kg)
0.136-inch (3.5 mm) diameter orifice.

Hard Seat: Cv = .25, full open.

Soft Seat: Cv = .24, full open.



Kerotest KMM1 3-Valve Differential Pressure Mini-Manifold

Standard Materials

Valve	Body	Bonnet	Stem	Flow Washer ①
CS ②	A108	A108	A581-303	316
Brass	B16	B16	A581-303	316
SS	A276-316	A479-316	A276-316	316
SG ③	A276-316	A479-316	Monel® R405	316

Pressure and Temperature Ratings

Valve	Packing	Soft Seat Delrin®/PTFE ④	Soft Seat PEEK	Metal Seat
CS ②	BUNA-N O-ring	3000 psig at 200°F (207 bar at 93°C)	6000 psig at 200°F (414 bar at 93°C)	6000 psig at 200°F (414 bar at 93°C)
CS ②	Teflon	3000 psig at 200°F (207 bar at 93°C)	6000 psig at 200°F (414 bar at 93°C)	6000 psig at 200°F (414 bar at 93°C)
			3000 psig at 300°F (207 bar at 149°C)	4000 psig at 500°F (276 bar at 260°C)
Brass	BUNA-N O-ring	3000 psig at 200°F (207 bar at 93°C)	3000 psig at 200°F (207 bar at 93°C)	3000 psig at 200°F (207 bar at 93°C)
Brass	Teflon	3000 psig at 200°F (207 bar at 93°C)	3000 psig at 300°F (207 bar at 149°C)	3000 psig at 400°F (207 bar at 204°C)
SS	Viton® O-ring	3000 psig at 200°F (207 bar at 93°C)	6000 psig at 200°F (414 bar at 93°C)	6000 psig at 200°F (414 bar at 93°C)
SS	Teflon	3000 psig at 200°F (207 bar at 93°C)	6000 psig at 200°F (414 bar at 93°C)	6000 psig at 200°F (414 bar at 93°C)
			3000 psig at 300°F (207 bar at 149°C)	4000 psig at 500°F (276 bar at 260°C)
SG ③ SG3 ⑤	Teflon	3000 psig at 200°F (207 bar at 93°C)	6000 psig at 200°F (414 bar at 93°C)	6000 psig at 200°F (414 bar at 93°C)
			3000 psig at 300°F (207 bar at 149°C)	4000 psig at 500°F (276 bar at 260°C)

① Soft seated valves only.

② CS is zinc cobalt-plated to prevent corrosion.

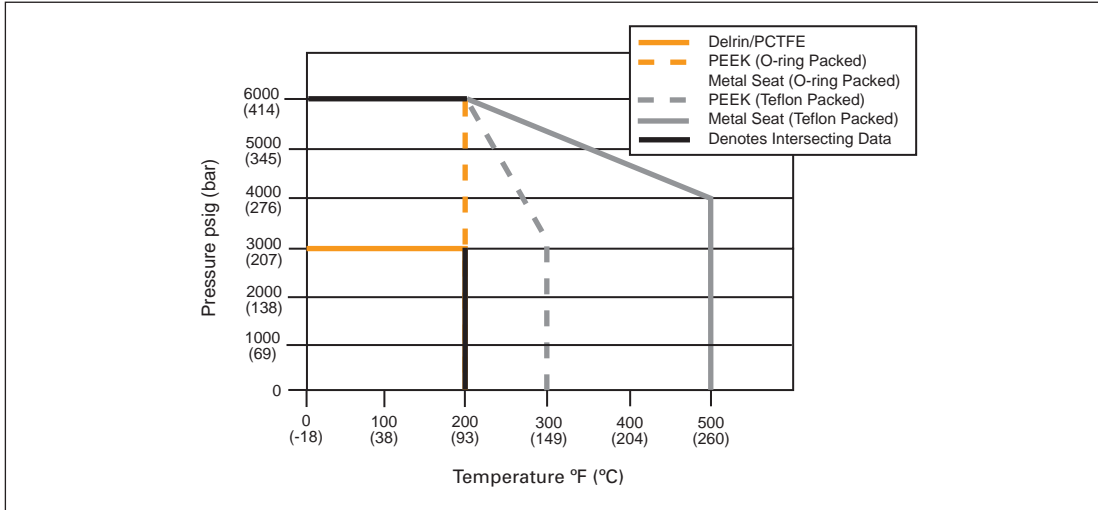
③ SG (Sour Gas) meets the requirements of NACE MR0175-2002.

④ PCTFE (Polychlorotrifluoroethylene) is the equivalent of Kel-F®.

⑤ SG3 (Sour Gas) meets the requirements of NACE MR0175-2003.

Kerotest KMM1 3-Valve Differential Pressure Mini-Manifold

Pressure vs. Temperature



Ordering Information

KMM1 **V** **D** **S** - **2** - **SG**

1. 2. 3. 4. 5.

1. Packing

V – Teflon
R – O-ring

2. Seat

D – Delrin
K – PCTFE
E – PEEK
I – Integral (Body Material)

3. Body Material

C – CS, A108
B – Brass B16
S – SS, A276-316
J – Hastelloy®

4. Connection

2 – 1/4-Inch FNPT

5. Options

SG – Sour Gas Meets the Requirements of NACE MR0175-2002 (SS Valves Only) (Not Available for O-ring Packed Valves)

SG3 – Sour Gas Meets the Requirements of NACE MR0175-2003

All product names referenced herein are trademarks of their respective companies.

Kerotest Manufacturing Corp.

5500 Second Avenue, Pittsburgh, PA 15207

(412) 521-7688 FAX: (412) 521-7853

email: sales@kerotest.com

www.kerotest.com