

Kerotest Packless Globe Valve R-42 Series

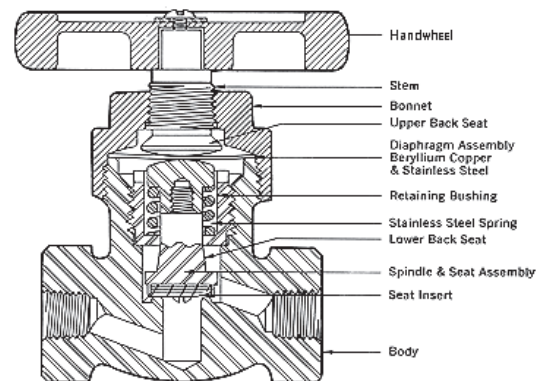


Product Brief

The unique design of the R-42 Globe valve prevents liquid or gas media from escaping to the atmosphere and eliminates costly packing maintenance. A distinct advantage from many viewpoints, including safety, loss of valuable or dangerous media, and overall cost of maintenance for the life of the system. Use it in applications that include hazardous liquids & gases, controlling contaminants, refrigerant service, vacuum service, instrumentation, compressed gases, volatile fluids, natural gas odorizing, leakage monitoring and hydrogen-cooled generators.

Features/Benefits

- **Zero environmental leakage.**
- **No packing** to maintain or replace.
- **Dual seals** above and below.
- **Compact design**—quick opening.
- **Variety of body and seat materials.**
- **Cycle life** varies with the application.



An Employee-Owned Company

Kerotest Packless Globe Valve R-42 Series

R-42 Series Ordering

Part No.	Size (Inches)	Body	Internal	Seat	Maximum W.P. PSI	Maximum Temp. (°F)	Approximate Weight (lbs)
R42A01P	1/8" FPT	Brass	Brass	Nylon	750	275	1
R42A02P	1/4" FPT	Brass	Brass	Nylon	750	275	1
R42A03P	3/8" FPT	Brass	Brass	Nylon	500	275	2
R42A04P	1/2" FPT	Brass	Brass	Nylon	500	275	2
R42R02P	1/4" FPT	316 SS	303 SS	Teflon	750	300	1
R42R03P	3/8" FPT	316 SS	303 SS	Teflon	500	300	2
R42R04P	1/2" FPT	316 SS	303 SS	Teflon	500	300	2
R42U02P	1/4" FPT	316 SS	303 SS	Nylon	750	275	2
R42U03P	3/8" FPT	316 SS	303 SS	Nylon	500	270	2
R42U04P	1/2" FPT	316 SS	303 SS	Nylon	500	275	2
R42U06P	3/4" FPT	316 SS	303 SS	Nylon	300	275	5
R42U08P	1" FPT	316 SS	303 SS	Nylon	300	275	5
R42X60FT	1/2" FPT	316 SS	303 SS	Teflon	1000	300	2
R42U02SW	1/4" SW	316 SS	303 SS	Nylon	750	275	1
R42U03SW	3/8" SW	316 SS	303 SS	Nylon	500	275	2
R42U04SW	1/2" SW	316 SS	303 SS	Nylon	500	275	2
R42X33W	1/2" SW	316 SS	Brass	Nylon	500	275	2
R42U06SW	3/4" SW	316 SS	303 SS	Nylon	300	275	5
R42U08SW	1" SW	316 SS	303 SS	Nylon	300	275	4
R42X23TC	3/8" FPT	Carbon S.	303 SS	Teflon	500	300	2
R42X23T	1/2" FPT	Carbon S.	303 SS	Teflon	500	300	2
R42X23	1/2" FPT	Carbon S.	303 SS	Nylon	500	275	2
R42C06P	3/4" FPT	Carbon S.	303 SS	Nylon	300	275	5
R42C08P	1" FPT	Carbon S.	303 SS	Nylon	300	275	5
R42X48T	1/2" FPT	Carbon S.	303 SS	Teflon	1000	300	2
R42X24A	1/4" SW	Carbon S.	303 SS	Teflon	500	300	2
R42X24B	3/8" SW	Carbon S.	303 SS	Teflon	500	300	2
R42X24WC	1/2" SW	Carbon S.	303 SS	Nylon	500	275	2
R42X24WCT	1/2" SW	Carbon S.	303 SS	Teflon	500	300	2
R42C06SW	3/4" SW	Carbon S.	303 SS	Nylon	300	275	5
R42C08SW	1" SW	Carbon S.	303 SS	Nylon	300	275	5
456-C12SWT	1.5" SW	Carbon S.	Carbon S.	Teflon	300	300	22
456-C16SWT	2" SW	Carbon S.	Carbon S.	Teflon	300	300	22

Typical Cv Valves: 1/2" -1.5, 3/4" -2.3, 1" -2.4, 1.5" -21.0, 2" -24.0

Key: FPT = Female Pipe Thread
SW = Socket Weld

All product names referenced herein are trademarks of their respective companies.



Kerotest Manufacturing Corp.

5500 Second Avenue • Pittsburgh, PA 15207
412.521.7688 • Fax: 412.521.5990
www.Kerotest.com • Sales@Kerotest.com