



Plunger valve, 2/2 way, direct-acting

- Media-separated plunger valves up to DN 12
- Suitable for high and low temperature ranges (-200 °C...+180 °C)
- Energy-saving double coil technology with “Kick and Drop” variant

Product variants described in the data sheet may differ from the product presentation and description.

Can be combined with



Type 2518
Cable Plug
DIN EN 175301 - 803 -
Form A

Type description

The valve 6026 is a direct-acting, media-separated 2/2 way plunger valve. The thermal and hermetic isolation of the coil and body by means of stainless steel bellows allows both extreme medium temperatures as well as aggressive media. This design avoids the build-up of condensation between the fluid part and coil or an unacceptable heating up or freezing of the coil. The coils are moulded with chemically resistant epoxy. The valve is therefore particularly suitable for applications with critical media. The use of highly resistant body and seal materials such as stainless steel and PTFE make the valve suitable for critical chemical applications. The valve is supplied with a coil equipped with “Kick and Drop” (KD) electronics featuring double coil technology. In combination with a plug to DIN EN 175301 - 803 Form A, the valves satisfy degree of protection IP65.

Table of contents

1. General technical data	3
2. Circuit functions	3
3. Dimensions	4
4. Performance specifications	5
4.1. Power consumption.....	5
5. Ordering information	5
5.1. Bürkert eShop – Easy ordering and quick delivery.....	5
5.2. Bürkert product filter.....	5
5.3. Ordering chart.....	6
5.4. Ordering chart accessories.....	7
Cable plug Type 2518, Form A according to DIN EN 175301 - 803	7

1. General technical data

Product properties	
Dimensions	Detailed information can be found in chapter "3. Dimensions" on page 4.
Materials	
Seal	PTFE
Body	Brass with stainless steel seat 1.4581 Stainless steel with stainless steel seat 1.4581
Metal bellows	Stainless steel 1.4541
Weight	1.1 kg
Performance data	
Duty cycle	Continuous operation 100 % ED Intermittent operation 50 % ED max. 6 switchings/minute ^{2.)}
Electrical data	
Operating voltage	24 UC ^{1.)} 110...120 V/50...60 Hz 230...240 V/50...60 Hz
Voltage tolerance	Max. ± 10 %
Power consumption	85/8 W
Medium data	
Medium temperature	-200 °C...+180 °C
Operating medium	Neutral gases and fluidics
Viscosity	Ca. 21 mm ² /s
Approvals and certificates	
Protection class	IP65 with cable plug
Process/Port connection & communication	
Electrical connection	Tag connector acc. to DIN EN 175 301 - 803 Form A (see "5.4. Ordering chart accessories" on page 7)
Environment and installation	
Installation position	As required, preferably with actuator upright
Ambient temperature (max.)	+55 °C

1.) DC and AC (50...60 Hz)

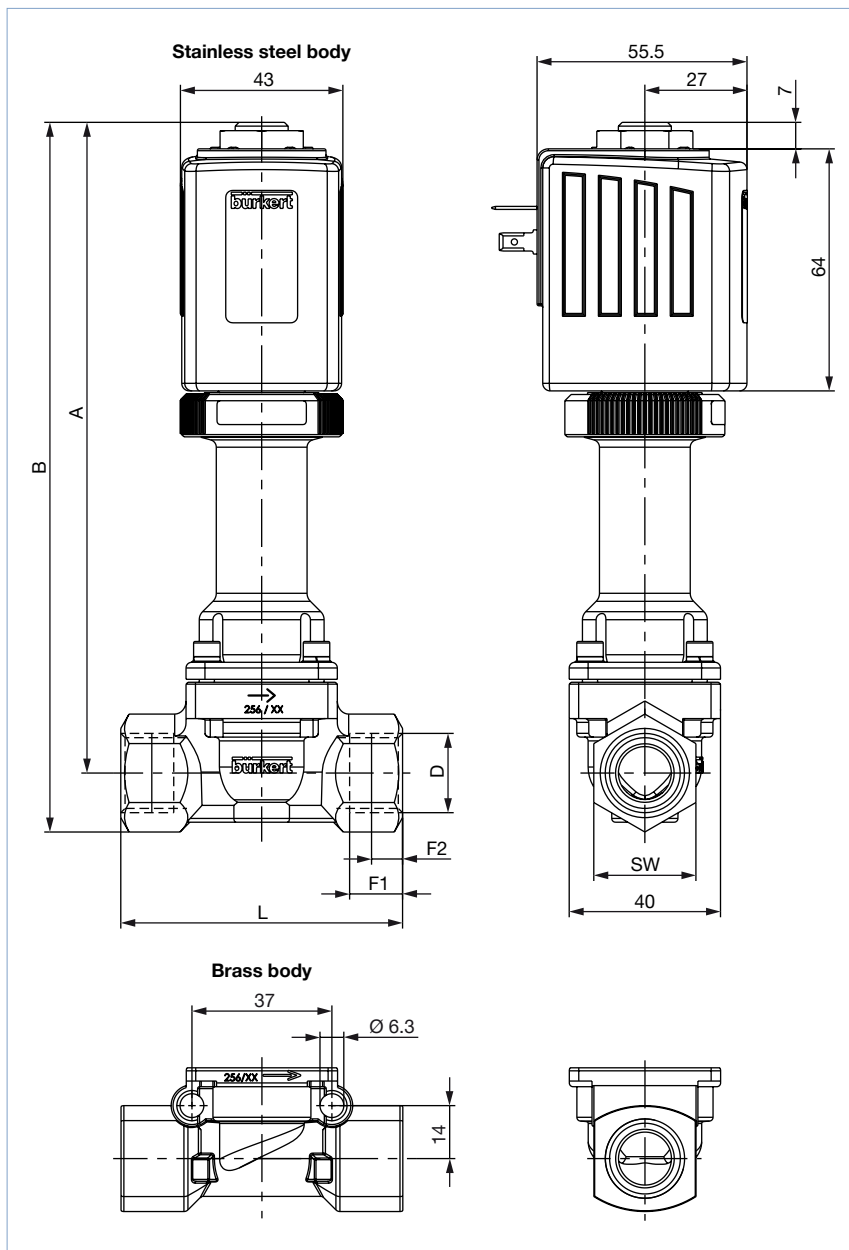
2.) For further information, refer to the operating instructions, see **Type 6026** ▶.

2. Circuit functions

Circuit functions	Description
	Type: A, solenoid valve 2/2 way Direct-acting Normally closed

3. Dimensions

Note:
Dimensions in mm



LTA	Material	A	B	D	F1	F2	L	SW
GM82	MS	173	184	G ¼	12	–	56	22
NM82	MS	173	184	NPT ¼	10	5.8	56	22
GM83	MS	173	184	G ⅜	12	–	56	22
NM83	MS	173	184	NPT ⅜	10.3	6	56	22
GM84	MS	172	186	G ½	14	–	74.5	27
NM84	MS	172	186	NPT ½	13.7	8.2	74.5	27
GM82	VA	172	184.7	G ¼	12	–	74.5	27
NM82	VA	172	184.7	NPT ¼	10	5.8	74.5	27
GM84	VA	172	187.6	G ½	14	–	74.5	27
NM84	VA	172	187.6	NPT ½	13.5	8.1	74.5	27

DTS 1000395475 EN Version: G Status: RL (released | freigegeben | valide) printed: 18.06.2020