



Direct-acting 2/2 way lifting armature valve

- Push-over solenoid system
- NC valves, certified in accordance with DIN EN ISO 23553 - 1
- Return valve for liquid fuels
- IP65

Product variants described in the data sheet may differ from the product presentation and description.

Can be combined with



Type 2518 ▶
Cable Plug
DIN EN 175301 - 803 -
Form A

Table of contents

1. General technical data	3
2. Circuit functions	3
3. Materials	4
3.1. Chemical Resistance Chart – Bürkert resistApp.....	4
3.2. Material specifications	4
DN 20 version	4
4. Dimensions	5
4.1. DN 20 version	5
5. Ordering information	5
5.1. Bürkert eShop – Easy ordering and quick delivery.....	5
5.2. Bürkert product filter	6
5.3. Ordering chart.....	6
Feed line valve/return line valve combinations	6
5.4. Ordering chart accessories.....	7
Cable plug Type 2518, Form A according to DIN EN 175301 - 803	7

1. General technical data

Product properties	
Dimensions	Detailed information can be found in chapter “4. Dimensions” on page 5.
Material	
Seal	Seat: PTFE Housing: FKM
Body	Stainless steel
Coil	Epoxy
Nominal diameter	DN 20
Circuit function	Detailed information can be found in chapter “2. Circuit functions” on page 3.
Thermal insulation class of solenoid	H
Electrical data	
Operating voltage	110 V/50 Hz, 230 V/50 Hz others on request
Duty cycle	Continuous operation 100 % ED
Medium data	
Medium temperature	0 °C...160 °C
Operating medium	Heating oil (EL, L, M, S) acc. to DIN 51603 part 1-6 Shipping fuels acc. to ISO 8217 Only with stainless steel body: Fatty acid methyl esters (FAME) acc. to DIN EN 14213 Rapeseed oil acc. to DIN V 51605
Viscosity (max.)	1.6...76 mm ² /s
Process/Port connection & communication	
Port connection	G 3/4
Electrical connection	Acc. to DIN EN 175301 -803 Form A
Approvals and certificates	
Degree of protection	IP65
DIN CERTCO registration (DN 20)	Reg. No.: 5S255
Environment and installation	
Installation position	Any, preferably actuator face up
Ambient temperature	- 15 °C...+ 60 °C

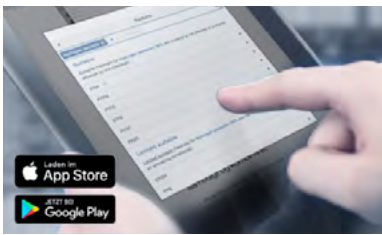
2. Circuit functions

Circuit functions	Description
	Type: A, solenoid valve 2/2 way Servo-controlled Normally closed

DTS 1000158193 EN Version: D Status: RL (released | freigegeben | validé) printed: 26.11.2020

3. Materials

3.1. Chemical Resistance Chart – Bürkert resistApp



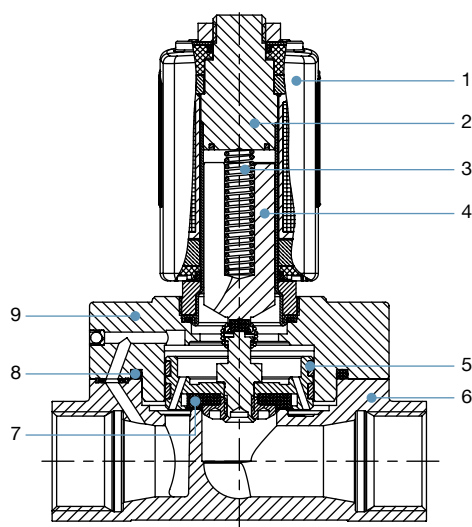
Bürkert resistApp – Chemical Resistance Chart

You want to ensure the reliability and durability of the materials in your individual application case? Verify your combination of media and materials on our website or in our resistApp.

[Start Chemical Resistance Check](#)

3.2. Material specifications

DN 20 version



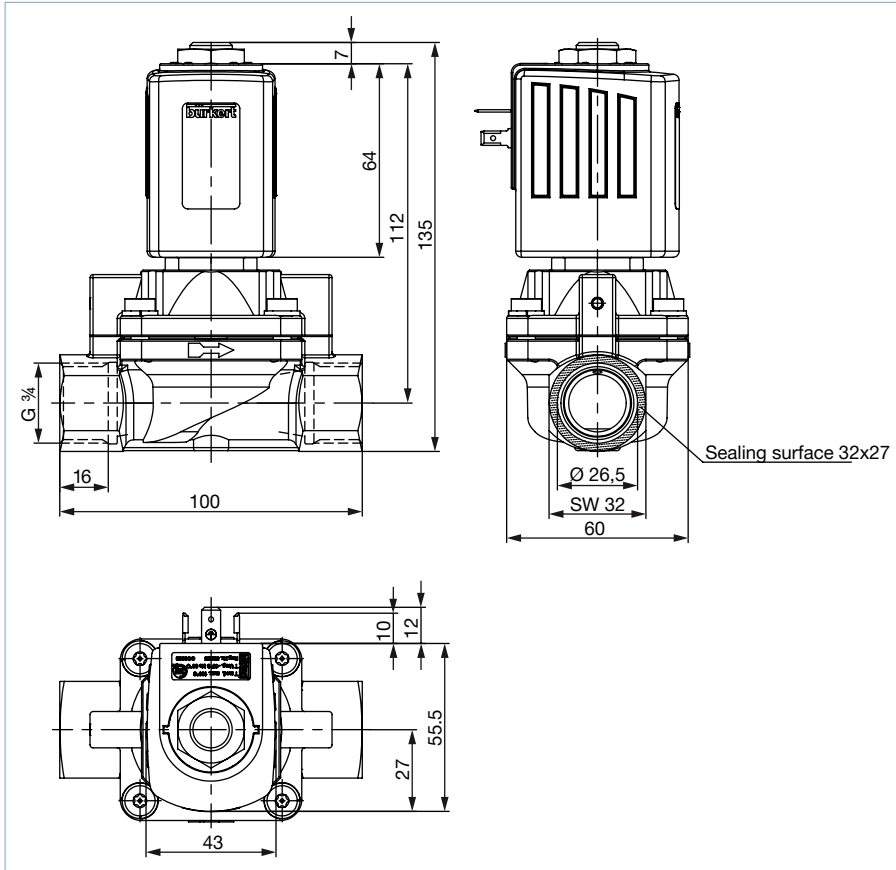
No.	Element	Material
1	Coil	Epoxy
2	Stopper	1.4113
3	Spring	1.4310
4	Core	1.4113
5	Piston seal	PTFE/graphite
6	Valve body	Stainless steel 1.4581
7	Seal	PTFE
8	Seal ring	FKM
9	Cover	Stainless steel 1.4581

4. Dimensions

4.1. DN 20 version

Note:

Dimensions in mm



5. Ordering information

5.1. Bürkert eShop – Easy ordering and quick delivery



Bürkert eShop – Easy ordering and fast delivery

You want to find your desired Bürkert product or spare part quickly and order directly? Our online shop is available for you 24/7. Sign up and enjoy all the benefits.

[Order online now](#)