

2/2-way solenoid valve for low pressures

Direct acting; 0 to 0.5 bar; DN 20 and 25 mm; G 3/4 and G 1

Type 0283

TECHNICAL SPECIFICATIONS

Housing materials Brass, stainless steel
Sealing material media NBR, FPM neutral media
 with NBR such as B. compressed air, town gas, hydrogen, Hydraulic oil, oils and Fats without additives,
 at FPM Hot air, oxygen, Per solutions, hot Oils with additives

Media temperature
 with NBR - 10 to + 90 ° C 0
 at FPM to +100 ° C.

Ambient temp. viscosity
 max. +55 ° C.
 max. 21 mm² / s

Line connection
 G 3/4 and G 1

Operating voltages
 24 V UC
 24 / 220-230 V / 50Hz
 and 240 V / 50 Hz
 on request
 ± 10%

other tensions
Voltage tolerance
 Nominal operating mode Continuous operation 100% ED
Switching frequency AC: approx. 100-150 / min
 UC: max 6 / min
Electrical connection Device socket for Cable Ø 7 mm (included)
 IP 65 with Device socket
 any, preferably Drive up
 1.2 and 1.7 kg

Protection class
Mounting position
Dimensions

Flow: Kv value water [m³ / H]

Measurement at +20 ° C, 1 bar pressure at the valve inlet and free outlet

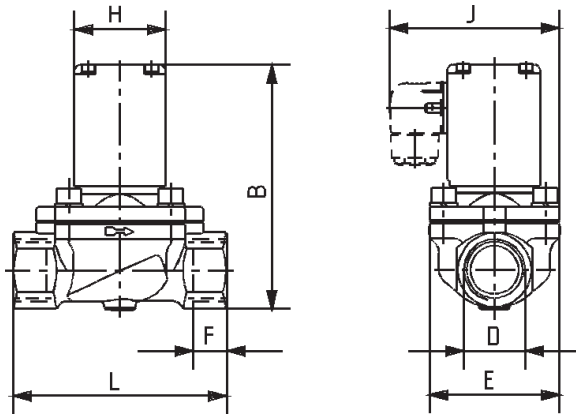
Pressure specifications [bar]
 Overpressure to atmospheric pressure

Switching times [ms]

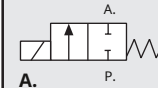
Measurement at the valve outlet at 6 bar and +20 ° C
 Open pressure build-up 0 to 90%
 Close pressure reduction 100 to 10%

Nominal expanse [mm]	Kv value water [m ³ /H]	Pressure area			Electrical power consumption in operation			Switching times	
		AC Gases [bar]	AC Liquid [bar]	UC [bar]	AC AC [VA]	UC [VA / W]	UC [W]	Open [ms]	close [ms]
20th	5.0	0 - 0.3	0 - 0.2	0 - 0.5	100 to 25/16	100	9	130 to	120 to
25th	10.0	0 - 0.2	0 - 0.1	0 - 0.3	120			50	50

DIMENSIONS [mm]



DN	B.	D.	E.	F.	H	J	L.
20th	122	G 3/4	60	16	49	86.5	100
25th	131	G 1	70	18th	49	91.5	115



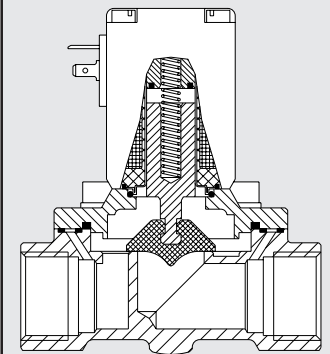
HOW IT WORKS

A. 2/2-way solenoid valve, direct-acting, normally closed

DESCRIPTION

Type 283 switches from zero bar without a pressure difference. The direct-acting armature two-way solenoid valve is supplied in mode A. It is closed when de-energized. When switching, the magnetic core is attracted against a spring and opens the valve.

The valve can be used in a variety of ways for low pressure levels.



Type 0283 2/2-way solenoid valve for low pressures

Direct acting; 0 to 0.5 bar; DN 20 and 25 mm; G 3/4 and G 1

ORDER TABLE VALVES (other versions on request)

All valves with manual actuation and **with device socket**

Effective way	Nominal size [mm]	Line connection	Kv value water [m ³ /H]	Pressure-area [bar]	Casing-material	Sealing material	Tension/frequency [V / Hz]	Order no.
A.	20th	G 3/4	5.0	0 - 0.3	MS	NBR	024/50	020 082 K
				0 - 0.5			024 / UC HL	067 763 C
				0 - 0.3			220 - 230/50	058 425 Z
				0 - 0.3			240/50	067 055 p
				0 - 0.3			FPM	220-230 / 50
	25th	G 1	10.0	0 - 0.2	MS	NBR	024/50	069 086 U
				0 - 0.3			024 / UC HL	063 675 G
				0 - 0.2			220 - 230/50	058 423 X
				0 - 0.2			240/50	021 231 R
				0 - 0.2			FPM	220-230 / 50

- For liquids, the nominal pressure is 0.1 bar below the specified values (except for UC, the above values apply here)
- Stainless steel versions and larger nominal sizes on request.
- HL = high-performance coil for universal current (100 W pull-in, 9 W operation).

DTS 1000010821 DE Version: B Status: RL (released | freigegeben | validé) printed: 22.09.2017