




## Direct-acting 2/2 way solenoid valve

- Block screwed coil system
- Up to DN 12
- Brass or stainless steel valve body
- Wide range of applications



Product variants described in the data sheet may differ from the product presentation and description.

### Can be combined with

	<b>Type 2518</b> Cable Plug DIN EN 175301 - 803 - Form A	▶
	<b>Type 1087</b> Timer	▶

### Type description

This direct-acting plunger solenoid valve Type 0256 can be used in many ways. It is delivered with brass or stainless steel bodies for a wide range of orifices and connections.

## Table of contents

<b>1. General Technical Data</b>	<b>3</b>
<b>2. Circuit functions</b>	<b>4</b>
<b>3. Materials</b>	<b>4</b>
3.1. Chemical Resistance Chart – Bürkert resistApp.....	4
3.2. Material specifications .....	4
<b>4. Dimensions</b>	<b>5</b>
<b>5. Ordering information</b>	<b>6</b>
5.1. Bürkert eShop – Easy ordering and quick delivery.....	6
5.2. Bürkert product filter .....	6
5.3. Ordering chart.....	7
Brass body AF12-56 mm .....	7
Brass body 74 mm.....	8
Stainless steel body 74 mm.....	8
5.4. Ordering chart accessories.....	9
Mounting set brass body .....	9
Mounting set stainless steel body .....	9
Cable plug Type 2518, Form A according to DIN EN 175301-803 .....	10
Timer Type 1087, Form A according to DIN EN 175301-803 .....	10

## 1. General Technical Data

Product properties	
Dimensions	Detailed information can be found in chapter "4. Dimensions" on page 5.
Material	
Seal	NBR, FKM, others on request
Body	Brass (Body C with stainless steel seat 1.4112, except NBR version) or stainless steel 1.4581
Pressure valves	Gauge pressures with respect to the prevailing atmosphere pressure
Performance data	
K <sub>v</sub> value water	Measured at +20 °C, 1 bar pressure at valve inlet and free outlet
Response times <sup>1.)</sup>	
Opening	Pressure build-up 0 to 90 %
Closing	Pressure decay 100 to 10 %
Electrical data	
Voltage tolerance	± 10 %
Duty cycle	100 % continuous rating
Medium data	
Medium temperature	
NBR (EPDM on request)	- 10 °C...+ 80 °C
FKM	- 10 °C...+ 130 °C
Viscosity	Max. 21 mm <sup>2</sup> /s
Operating medium	
NBR	Neutral media, compressed air, water, oil
FKM	Hot air, hot oils, oils with additives
All materials	Technical vacuum
Process/Port connection & communication	
Electrical connection	Cable plug for Ø 7 mm cable (supplied as standard) <sup>2.)</sup>
Environment and installation	
Degree of protection	IP65 with cable plug
Installation position	As required, preferably with actuator upright
Ambient temperature	Max. + 55 °C

1.) Measured with water at valve outlet at 6 bar and +20 °C

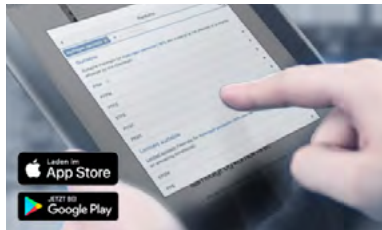
2.) Cable plug Type 2518 (supplied as standard) acc. to DIN EN 175 301 - 803, Form A

## 2. Circuit functions

Circuit functions	Description
	<b>Type: A, solenoid valve</b> 2/2 way Direct-acting Normally closed

## 3. Materials

### 3.1. Chemical Resistance Chart – Bürkert resistApp

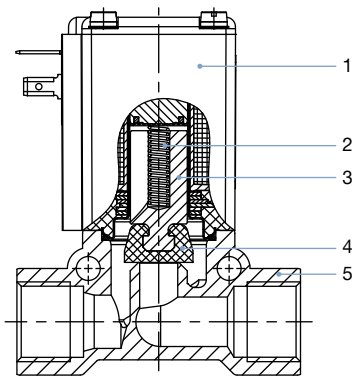


#### Bürkert resistApp – Chemical Resistance Chart

You want to ensure the reliability and durability of the materials in your individual application case? Verify your combination of media and materials on our website or in our resistApp.

[Start Chemical Resistance Check](#)

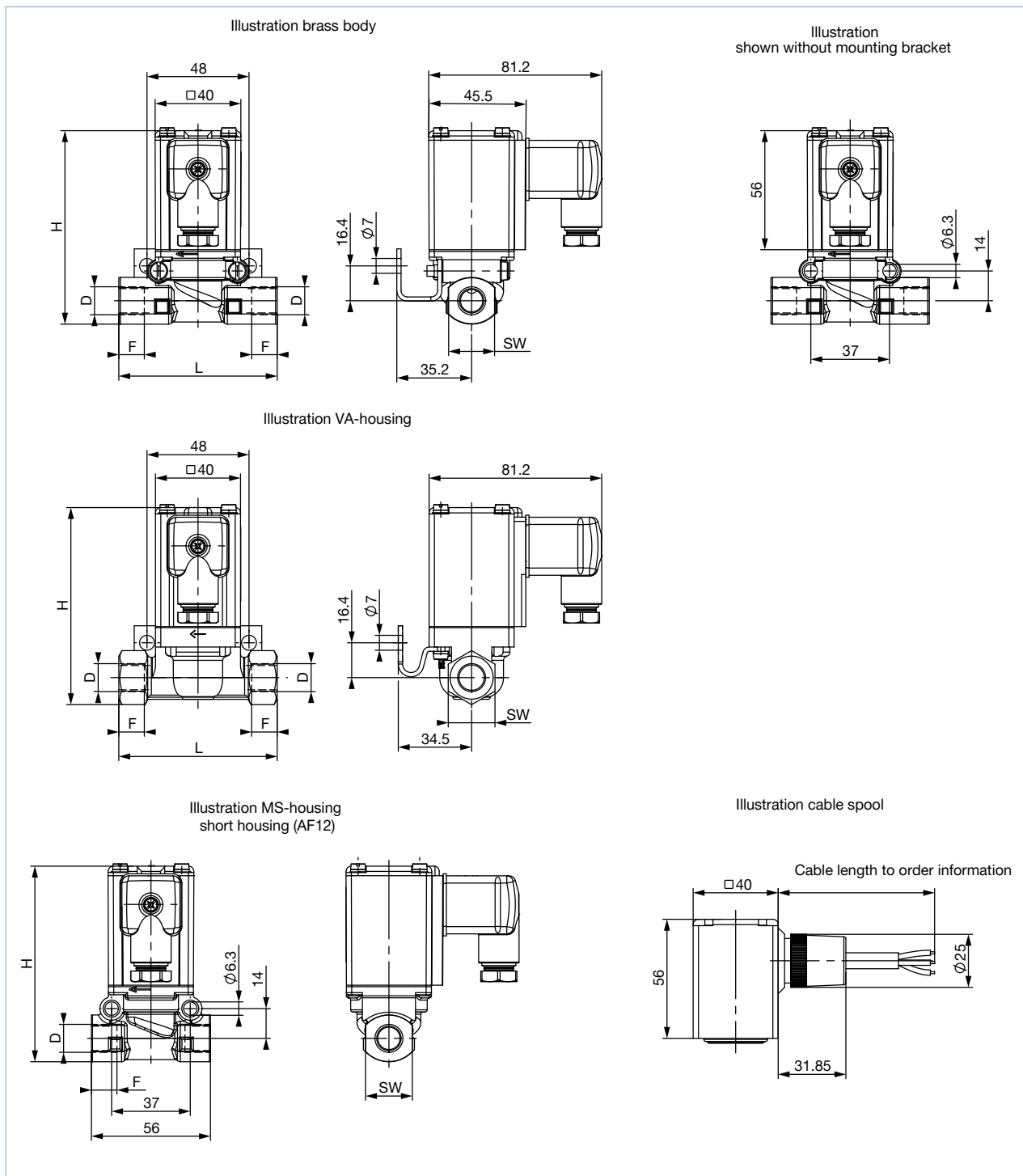
### 3.2. Material specifications



No.	Element	Material
1	Coil	Epoxy
2	Spring	Stainless steel 1.4110
3	Core	Stainless steel 1.4105
4	Seal	NBR/FKM (EPDM on request)
5	Body	Brass, stainless steel 1.4581

### 4. Dimensions

**Note:**  
Dimensions in mm



Body material	Connection D	F [mm]	H [mm]	L [mm]	SW [mm]
Brass	G 1/4	12	91	74.5	22
Brass	G 3/8	12	91	74.5	22
Brass	G 1/2	14	94	74.5	27