

Delta Element Steam Traps

Model: DS12

CRN: Canadian Registration Number Available

FOR STEAM MAIN DRIPLEG AND CRITICAL TRACING

3 Year No Live Steam Loss Guarantee

A lightweight steam trap for plant applications requiring sealed Stainless Steel construction for tracing services.

- **Maximum Differential Pressure** – 150 psi (10,3 bar)
- **No live steam loss** – for greater energy efficiency and extended seat life, up to the minimum operating pressure
- **Single blade element** – offers long-term, trouble-free service because it's not prone to dirt build-up as encountered with many other bimetal designs
- **Stainless Steel internals** – leads to longer service life since materials are highly resistant to fatigue and corrosion
- **Modulating discharge** – automatically adjusts to operating pressure and load
- **Continuous air and CO2 venting** – maximizes heat transfer while minimizing corrosion



ORDERING SCHEMATIC

MODEL				6	7	8
D	S	0	1	2		

6	SIZE
2	1/2"
3	3/4"

7	CONNECTIONS
1	NPT
2	FSW
8	BSPT
9	BSPP

8	SPECIALITIES
2	Sealed


BESTOBELLSTEAM
 A Division of
 Richards Industries
 BEP Bestobell Ltd.
 2880 Argenta Rd.,
 Unit 3, Mississauga,
 ON, L5N 7X8
 toll free. 800.668.3979
 local. 905.826.1953
 fax. 905.826.1778
salesdesk@bestobell.com
www.bestobell.com

FOR STEAM MAIN DRIPLEG AND CRITICAL TRACING
SPECIFICATIONS

Maximum Differential Pressure: 150 psi (10,3 bar)

Maximum Allowable Pressure: 500 psig (34,5 bar)

Maximum Allowable Temperature: 750°F (399°C)

MATERIALS

Shell: Investment cast Stainless Steel A351 CF3

Valve Seat: 303 SST

Stem: 17-4 SST

Bi-Metal: Stainless Steel NiCr

End Connections: NPT, BSPT, BSPP, SW

Mounting: From horizontal to vertical (see Installation & Maintenance Instructions). Self-Draining and freeze-resistant when mounted in vertical position.

Line Sizes: 1/2", 3/4"

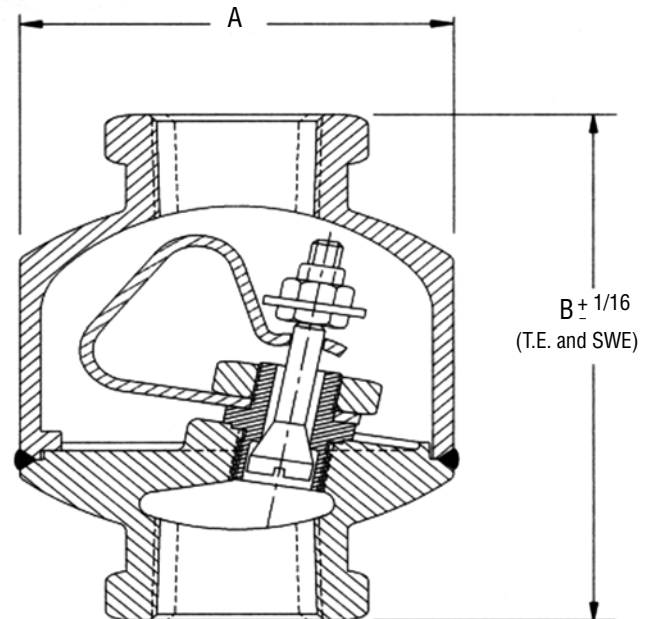
BESTOBELL'S DELTA ELEMENT . . . NO LIVE STEAM LOSS

A sophisticated, yet simple, design that will give you years of trouble-free service with absolutely no live steam loss. Bestobell's Delta Element is a triangular shaped bi-metal strip of austenitic and ferritic stainless steels. The materials are rolled together, shaped in the Delta pattern and then heat treated to eliminate stresses. The single blade design provides faster response than found with typical stacked arrangements due to the large surface to mass ratio. The stem is situated at a point that allows the expansion of the bimetal to exert a linear pull on the stem to prevent uneven wear on the sealing surfaces.

CAPACITY CHARTS: CONDENSATE CAPACITY AT OPERATING PRESSURE

Model DS12						
Size	Operating Pressure, psi (bar)	30 (2,1)	60 (4,1)	90 (6,2)	120 (8,3)	150 (10,3)
1/2"	Cold start-up, lbs/hr	2000	3100	4000	4400	4500
	Hot (dripleg), lbs/hr	80	95	105	110	115
3/4"	Cold start-up, kgs/hr	907	1406	1814	1996	2041
	Hot (dripleg), kgs/hr	36	43	47	49	52

Note: Flow rates are based on discharge to atmospheric pressure, valid for back pressure up to 20% of inlet pressure. Higher back pressure requires reset of control element to obtain these capacities. Consult factory for details.

MODEL DS12 SERIES DIMENSIONS


Model DS12			
3/8", 1/2", 3/4"	A	B	Wt
inches	2.625	3.75	1.8 lbs
mm	67	95	0,82 kgs

**dimensions shown are for threaded or socket weld ends, contact factory for other dimensions