

# FB6903 Series

## 3A Approved Check Valves

The FB6903 is needed when it is necessary to prevent the product from flowing in the wrong direction. The valve is kept open by the liquid flow in the correct direction. If the flow stops, the plug is forced against its seat by the spring. It will then close against reversal of the flow. This valve is used in many sanitary applications and is 3A approved under standard 58-01.

### Specifications

Size: 1/2" thru 4" (DN15 - DN100)

End Connections: Sanitary Clamp

Body Style: 3 piece body

Body Material: 316LSS

Seat Material: FDA Approved, EPDM or Viton

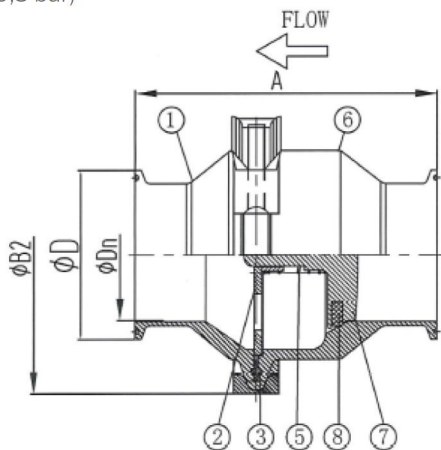
Metallic Surface Finish: 32Ra (.81 Ra  $\mu$ m) or better on wetted parts

Pressure Ratings at Room Temperature: 140 psi (9,7 bar)

Industry Standards and Testing: 3A Approved

1/2" (DN15) and 3/4" (DN20) cracking pressure: < 10 PSI (0,7 bar)

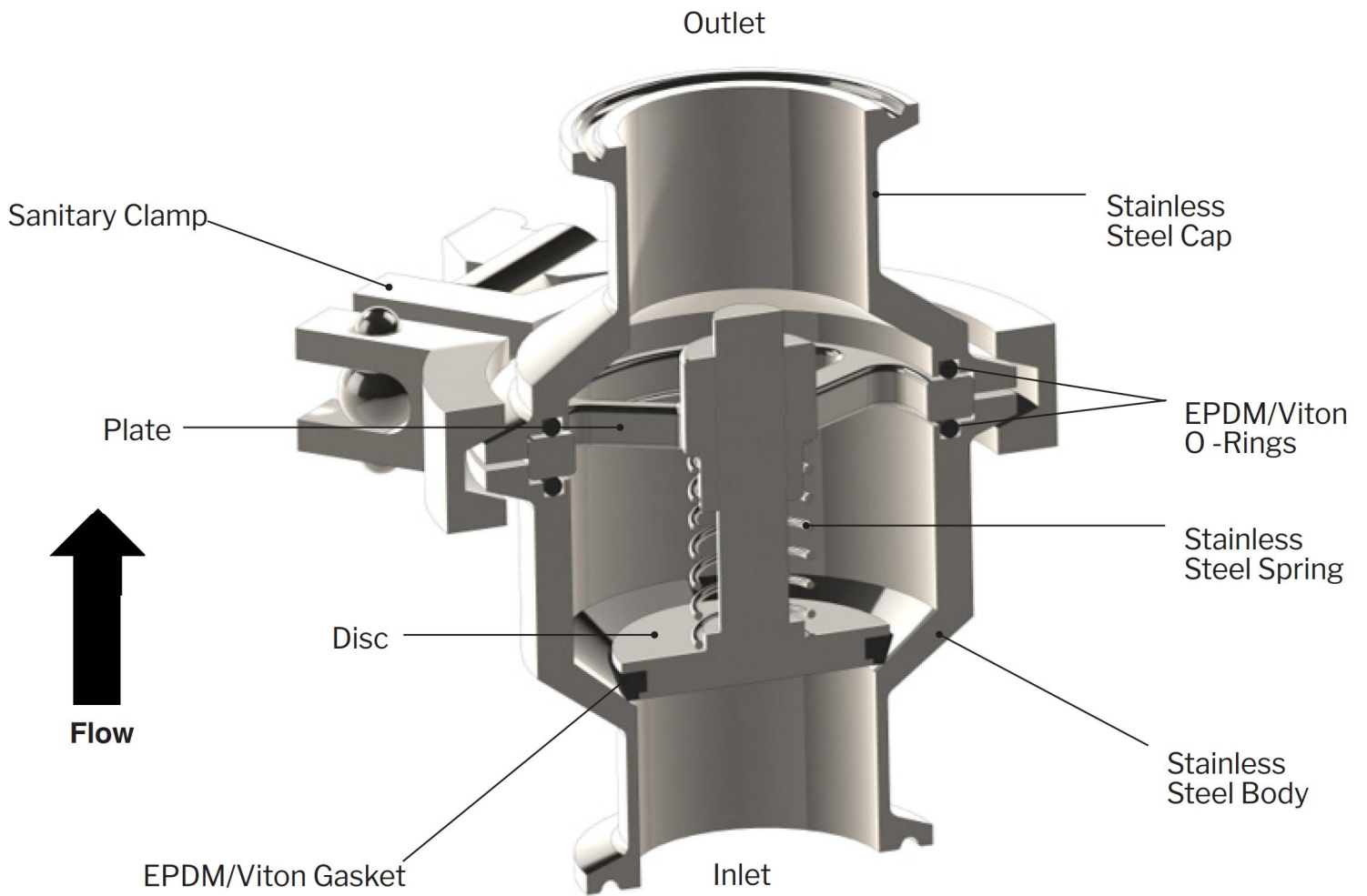
1" (DN25) through 4" (DN100) cracking pressure: < 5 PSI (0,3 bar)



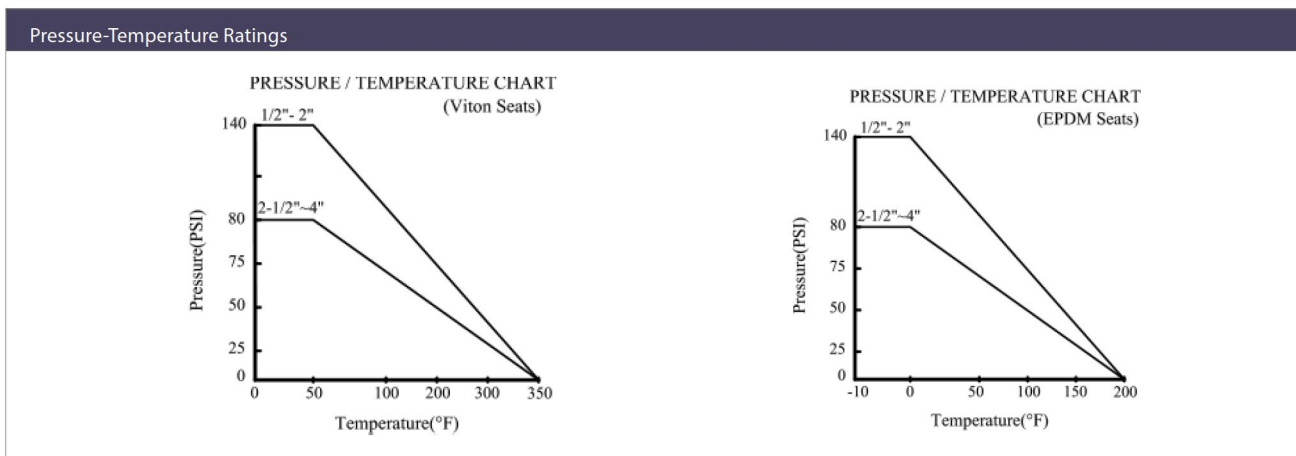
Standard Materials of Construction			
No	Part	Material	Qty
1	Cap	SS304 / 316L	1
2	Plate	SS304 / 316L	1
3	O-Ring	EPDM / Viton	2
4	Clamp	SS 304	1
5	Spring	SS 316	1
6	Body	SS 304 / 316L	1
7	Disc	SS 304 / 316L	1
8	Gasket	EPDM / Viton	1

Dimensions - in. (mm)				
Size	A	B2	D	Dn
1/2"	3.19 (81)	3.01 (76.5)	1.0 (25.4)	0.37 (9.4)
3/4"	(81)	3.01 (76.5)	1.0 (25.4)	0.62 (15.8)
1"	3.74 (95)	3.01 (76.5)	1.99 (50.5)	0.87 (22.1)
1.5"	3.74 (95)	3.43 (87)	1.99 (50.5)	1.37 (34.8)
2"	4.13 (105)	3.94 (100)	2.52 (64)	1.87 (47.5)
2.5"	4.53 (115)	4.53 (115)	3.05 (77.5)	2.37 (60.2)
3"	4.92 (125)	5.04 (128)	3.58 (91)	2.87 (72.9)
4"	5.39 (137)	6.46 (164)	4.69 (119)	3.83 (97.4)

FB6903 FEATURES



FB6903 3A APPROVED CHECK VALVES



ORDERING SCHEMATIC

FB6903		1	2	3	4

Series	
FB6903	Sanitary Check Valve

2	End Connection
A	ASME Tri-Clamp

1	Size
1	1/2" (DN15)
2	3/4" (DN20)
3	1" (DN25)
4	1-1/4" (DN32)
5	1-1/2" (DN40)
6	2" (DN50)
7	2-1/2" (DN65)
8	3" (DN80)
9	4" (DN100)

3	Material
A	316L

4	Seat
1	EPDM
2	Viton

**DOCUMENTATION**

A Certificate of Compliance is available at no charge when requested at time of order. The "Unicert" is a chargeable document. If needed, a "Unicert" must be requested at time of order.



Richards Industrials reserves the right to make revisions to its products, specifications, literature, and related information without notice.



3170 Wasson Road • Cincinnati, OH 45209  
 513.533.5600 • 800.543.7311 • 513.871.0105 (f)  
 steriflowfoodandbev.com • foodandbev@richardsind.com

BEP-Bestobell / Bestobell-Aquatronix  
 2880 Argentia Road, Unit 3  
 Mississauga, ON, L5N 7X8  
 Tel. 905-826-1953 / Fax 905-826-1778  
[www.bestobell.com](http://www.bestobell.com)