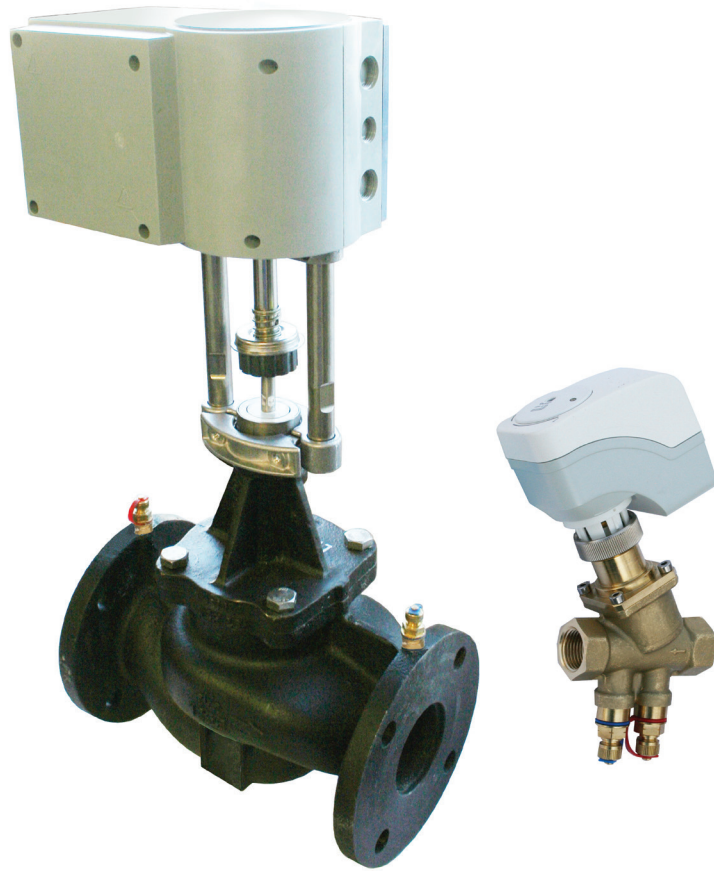


- Improves system efficiency
- Lowers system energy cost
- Provides stable flow and higher  $\Delta T$
- An integrated solution - replaces balance and temperature control valves



# Ultra Setter™

A PRESSURE INDEPENDENT CONTROL VALVE  
THAT MAINTAINS 100% AUTHORITY AT ALL TIMES  
A REAL ENERGY SAVER

A-626F

 **Bell & Gossett**  
a xylem brand

# Ultra Setter

## Pressure Independent Control Valves

The Bell & Gossett Ultra Setter line of Pressure Independent Control Valves combine innovative design with the latest technology and features to provide the highest level of energy efficient control for HVAC systems.

The Ultra Setter combines your branch balance valve, control valve, and differential pressure regulator into one easy-to-use valve. Additionally, the valve is the only PICV on the market that includes a GPM dial allowing the user to set the valve's maximum flow rate without the need for charts or calculations. The valve's integrated pressure/temperature ports make it easy to measure the differential pressure across the valve.

In a typical system without PICVs, pressure fluctuations can lead to wild variations in flow rate. These variations require the traditional control valves to constantly adjust as they find the right set point for their flow requirements. The Ultra Setter's integrated differential pressure regulator compensates for these pressure fluctuations, keeping the flow rate constant. This reduces valve hunting, improves efficiency and saves money.

The Ultra Setter maintains its full control stroke irrespective of the maximum flow rate setting. This enables the valve to make much more accurate flow rate adjustments, further reducing valve hunting and improving control.

Because the valve always maintains 100% authority over the branch flow rate it is simple to size and select. No longer do you need to undersize the valve to ensure proper control. The wide range of flow rate capabilities from 0.13 GPM to 880 GPM, along with the GPM dial, makes the Ultra Setter is the easiest PICV available to select, install and commission.



Ultra Setter Model AU

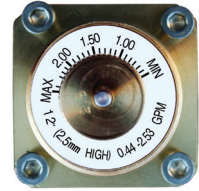
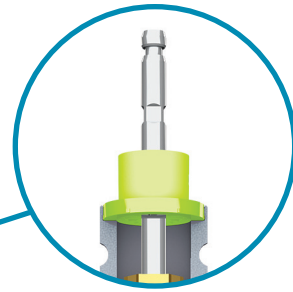


### Features & Benefits

- Field adjustable lockable GPM dial
- Full control stroke at all times
- No need to make Cv calculations when selecting control valves
- Always maintains 100% authority, ensuring excellent control
- Combination valve reduces cost and more accurate flow control lowers lifecycle costs
- Globe valve design ensures complete shut-off and clog free operation
- Reduces system energy consumption and improves system efficiency
- Sizes from 1/2" to 6"
- Flow Rates from 0.13 GPM to 880 GPM
- Choice of Siemens and Honeywell actuators

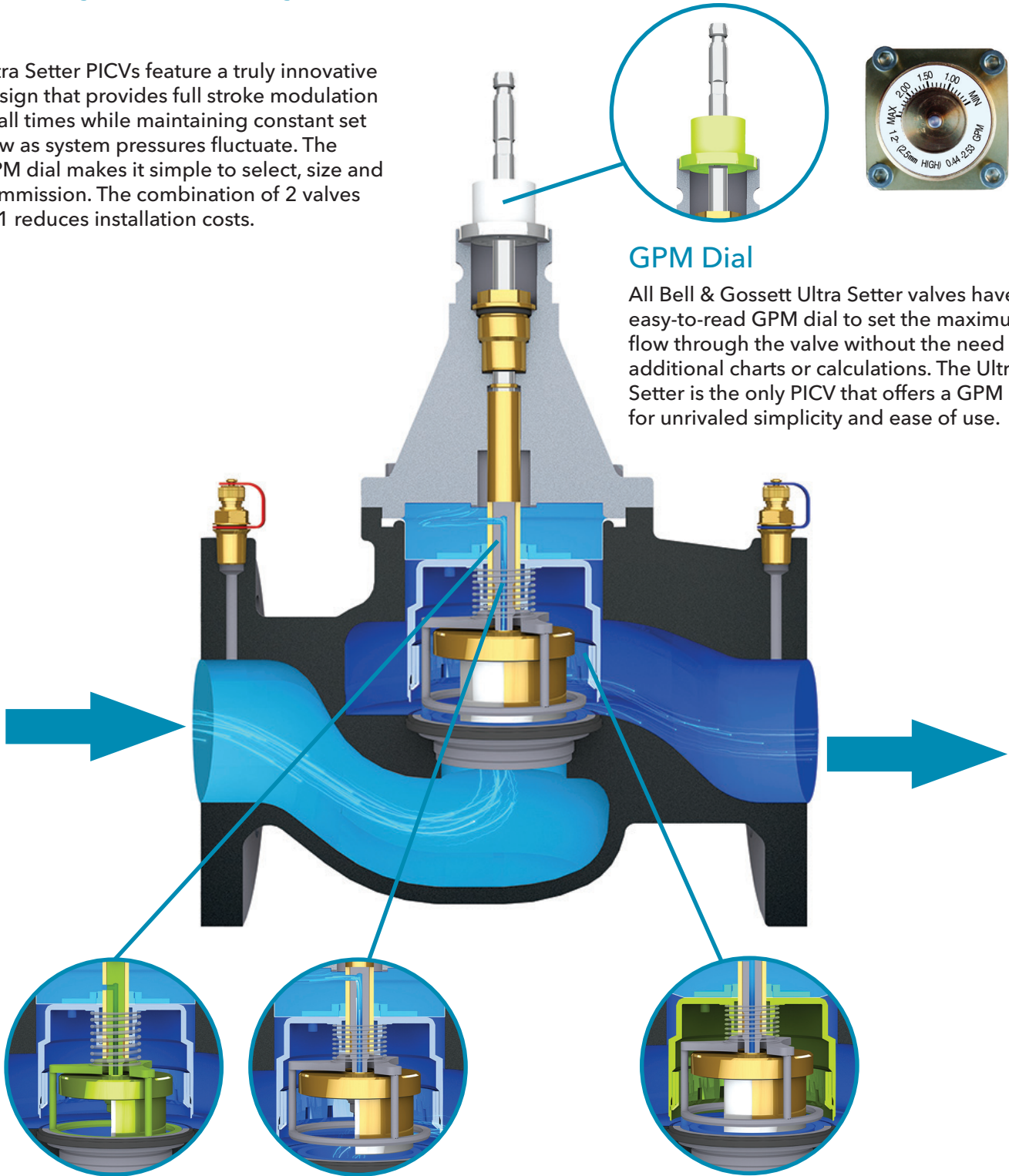
# Ultra Setter is the ultimate solution for hydronic system balance.

Ultra Setter PICVs feature a truly innovative design that provides full stroke modulation at all times while maintaining constant set flow as system pressures fluctuate. The GPM dial makes it simple to select, size and commission. The combination of 2 valves in 1 reduces installation costs.



## GPM Dial

All Bell & Gossett Ultra Setter valves have an easy-to-read GPM dial to set the maximum flow through the valve without the need for additional charts or calculations. The Ultra Setter is the only PICV that offers a GPM dial for unrivaled simplicity and ease of use.



## Full Stroke Modulation

The Ultra Setter always maintains its full control stroke length regardless of the pre-set maximum flow rate. This gives the valve absolute authority over the branch flow rate, thus reducing valve hunting, improving efficiency, and lowering energy costs.

## Differential Pressure Regulator

The integral differential pressure regulator constantly adjusts and compensates for fluctuations in system pressure, ensuring a constant flow rate and reducing energy use due to overflows and underflows. The result is more consistent energy transfer and improved occupant comfort.



# Ultra Setter

## Pressure Independent Control Valves

### Construction

Valve Housing: Brass  
 Flow Setting: Brass  
 ΔP Controller: PPS 40% Glass  
 Stem: Stainless Steel  
 AU Model Ball: Stainless Steel  
 Spring: Stainless Steel  
 Diaphragm: HNBR

### Maximum Working Pressure

360 psi (2,500 kPa)

### Temperature Range

32°F (0°C) to 248°F (120°C)

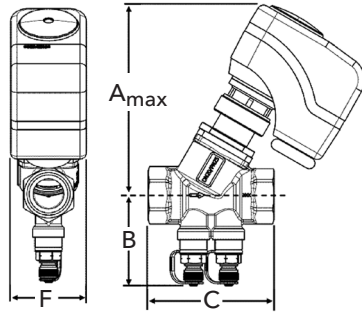
### Control Range

Min: See Submittal A-609.21

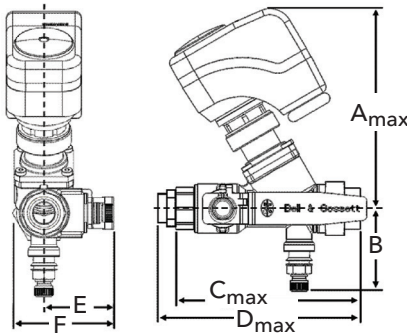
Max: 60 psid

### Accuracy

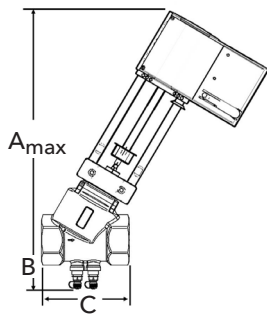
+/-5%



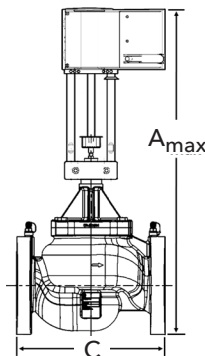
Model PVC 1/2" - 1-1/4"



Model AU 1/2" - 3/4"



Model PVC 1-1/2" - 2"



Model PVL 2-1/2" - 6"

### Construction

Valve Body 1-1/2" - 2": Ductile Iron  
 Valve Body 2-1/2" - 6": Cast Iron  
 ΔP Controller: Stainless Steel  
 Spring: Stainless Steel  
 Diaphragm: Reinforced EPDM  
 O-rings: EPDM

### Pressure Rating

175 psi (1,207 kPa)/

360 psi (5,221 kPa)

### Flange Connections

ANSI Class 100#/250#

### Control Range

Min: See Submittal A-609.22

Max: 85 psi

### Temperature Range

32°F (0°C) to 248°F (120°C)

### Accuracy

+/- 5%

## Ultra Setter Model PVC Dimensions, Weights and Flow Rates

Model Number	Size	Connection Type	DIMENSIONS* IN INCHES (mm)				Flow Capacity in GPM (L/hr)		Approx. Weight lbs. (kg)
			A <sub>max</sub>	B	C	F	Min.	Max.	
PVC-1/2UL	1/2"	NPT Female	5.08 (129)	0.92 (23)	2.95 (75)	1.97 (50)	0.13 (30)	0.88 (200)	1.15 (0.52)
PVC-1/2L	1/2"	NPT Female	5.08 (129)	0.92 (23)	2.95 (75)	1.97 (50)	0.29 (66)	1.59 (360)	1.15 (0.52)
PVC-1/2H	1/2"	NPT Female	5.08 (129)	0.92 (23)	2.95 (75)	1.97 (50)	0.44 (100)	2.53 (575)	1.15 (0.52)
PVC-1/2UH	1/2"	NPT Female	5.08 (129)	0.92 (23)	2.95 (75)	1.97 (50)	0.97 (220)	5.85 (1,330)	1.15 (0.52)
PVC-3/4L	3/4"	NPT Female	5.08 (129)	2.12 (54)	3.11 (79)	1.97 (50)	0.44 (100)	2.53 (575)	1.19 (0.54)
PVC-3/4H	3/4"	NPT Female	5.08 (129)	2.12 (54)	3.11 (79)	1.97 (50)	0.97 (220)	5.85 (1,330)	1.19 (0.54)
PVC-1	1"	NPT Female	5.67 (144)	2.48 (63)	3.94 (100)	2.52 (64)	3.85 (875)	15.41 (3,500)	2.5 (1.14)
PVC-1-1/4	1-1/4"	NPT Female	5.67 (144)	2.68 (68)	4.09 (104)	2.52 (64)	4.40 (1,000)	17.61 (4,000)	2.8 (1.27)

## Ultra Setter Model AU Dimensions, Weights and Flow Rates

Model Number	Size	Connection Type	DIMENSIONS* IN INCHES (mm)						Flow Capacity in GPM (L/hr)		Approx. Weight lbs. (kg)
			A <sub>max</sub>	B	C <sub>max</sub>	D <sub>max</sub>	E	F	Min.	Max.	
AU-1/2UL	1/2"	Sweat Female	5.08 (129)	0.92 (23)	5.70 (143)	6.30 (158)	1.77 (45)	2.51 (64)	0.13 (30)	0.88 (200)	1.5 (0.68)
		NPT Female	5.08 (129)	0.92 (23)	5.70 (143)	N/A	1.77 (45)	2.51 (64)	0.13 (30)	0.88 (200)	1.5 (0.68)
AU-1/2L	1/2"	Sweat Female	5.08 (129)	0.92 (23)	5.70 (143)	6.30 (158)	1.77 (45)	2.51 (64)	0.29 (66)	1.59 (360)	1.5 (0.68)
		NPT Female	5.08 (129)	0.92 (23)	5.70 (143)	N/A	1.77 (45)	2.51 (64)	0.29 (66)	1.59 (360)	1.5 (0.68)
AU-1/2H	1/2"	Sweat Female	5.08 (129)	0.92 (23)	5.70 (143)	6.30 (158)	1.77 (45)	2.51 (64)	0.44 (100)	2.53 (575)	1.5 (0.68)
		NPT Female	5.08 (129)	0.92 (23)	5.70 (143)	N/A	1.77 (45)	2.51 (64)	0.44 (100)	2.53 (575)	1.5 (0.68)
AU-1/2UH	1/2"	Sweat Female	5.08 (129)	0.92 (23)	5.70 (143)	6.30 (158)	1.77 (45)	2.51 (64)	0.97 (220)	5.85 (1,330)	1.5 (0.68)
		NPT Female	5.08 (129)	0.92 (23)	5.70 (143)	N/A	1.77 (45)	2.51 (64)	0.97 (220)	5.85 (1,330)	1.5 (0.68)
AU-3/4L	3/4"	Sweat Female	5.08 (129)	2.12 (54)	6.00 (150)	7.00 (176)	1.92 (49)	2.87 (68)	0.44 (100)	2.53 (575)	1.7 (0.77)
		NPT Female	5.08 (129)	2.12 (54)	6.00 (150)	N/A	1.92 (49)	2.87 (68)	0.44 (100)	2.53 (575)	1.7 (0.77)
AU-3/4H	3/4"	Sweat Female	5.08 (129)	2.12 (54)	6.00 (150)	7.00 (176)	1.92 (49)	2.87 (68)	0.97 (220)	5.85 (1,330)	1.7 (0.77)
		NPT Female	5.08 (129)	2.12 (54)	6.00 (150)	N/A	1.92 (49)	2.87 (68)	0.97 (220)	5.85 (1,330)	1.7 (0.77)

## Ultra Setter Model PVC/PVL Dimensions, Weights, and Flow Rates

Model Number	Size	Connection Type	DIMENSIONS* IN INCHES (mm)		Flow Capacity in GPM (L/hr)		Approx. Weight lbs. (kg)
			A <sub>max</sub>	C	Min.	Max.	
PVC-1-1/2	1-1/2"	NPT Female	14.50 (368)	5.43 (138)	6.03 (1,370)	41.83 (9,500)	15.0 (6.80)
PVC-2	2"	NPT Female	15.00 (381)	5.43 (138)	6.16 (1,400)	50.63 (11,500)	16.0 (7.30)
PVL-2-1/2L	2-1/2"	Flange	23.50 (597)	11.40 (290)	19.27 (4,376)	110.06 (24,995)	41 (19)
PVL-2-1/2H	2-1/2"	Flange	23.50 (597)	11.40 (290)	26.21 (5,952)	154.11 (34,998)	41 (19)
PVL-3L	3"	Flange	24.50 (622)	12.20 (310)	25.53 (5,798)	149.78 (34,015)	57 (26)
PVL-3H	3"	Flange	24.50 (622)	12.20 (310)	30.92 (7,022)	189.47 (43,029)	57 (26)
PVL-4L	4"	Flange	29.50 (750)	13.80 (350)	46.23 (10,499)	308.20 (69,992)	107 (49)
PVL-4H	4"	Flange	29.50 (750)	13.80 (350)	59.44 (13,499)	396.26 (89,991)	107 (49)
PVL-5L	5"	Flange	31.50 (800)	15.80 (400)	81.45 (18,497)	484.31 (109,987)	154 (70)
PVL-5H	5"	Flange	31.50 (800)	15.80 (400)	101.26 (22,996)	594.38 (134,984)	154 (70)
PVL-6L	6"	Flange	32.50 (825)	19.90 (505)	112.71 (25,597)	651.59 (147,977)	212 (96)
PVL-6H	6"	Flange	32.50 (825)	19.90 (505)	140.89 (31,996)	858.56 (194,980)	212 (96)

\* All dimensions +/- 0.125" (3.2 mm) tolerance. Dimensions are subject to change. Not to be used for construction purposes unless certified.



Xylem Inc.  
 8200 N. Austin Avenue  
 Morton Grove, Illinois 60053  
 Phone: (847) 966-3700  
 Fax: (847) 965-8379  
 www.bellgossett.com

Bell & Gossett is a trademark of Xylem Inc. or one of its subsidiaries.  
 © 2015 Xylem Inc. A-626F April 2015