

MODEL NUMBER

73-13564-A2

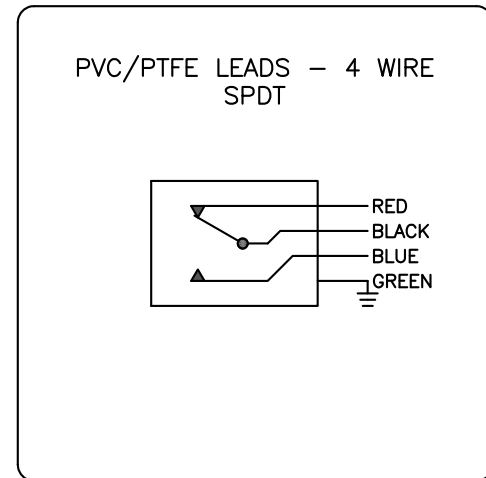
PRODUCT LINE

GO™ Switch 70 Series Hex Head

SPECIFICATIONS

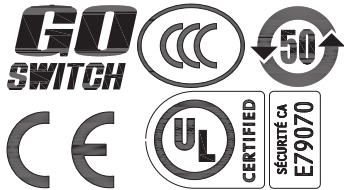
Model	73 Model
Contact Form	SPDT
Sensing Range	Approx. 0.1" end sensing (Rated 2,000 psi)
Outlet Position	Bottom of enclosure
Enclosure Material	316L Stainless Steel
Area Classification	cUL Cl I, Div 1
Wiring Option	PVC leads, 3ft
Regional Certification	No Regional Certification
Custom Field	TopWorx Certified: IP 66/67/68, NEMA 4x/6/6P

WIRING DIAGRAM



Current as of August 27, 2021 – Subject to change without notice.

NAMEPLATE



Ind. Cont. Eq. for Hazardous Locations
 Class I, Division 1, Groups A,B,C,D; Type 4X
 Class II, Division 1, Groups E,F,G; Class III
 120VAC/4A; 24VDC/3A Resistive
 Conduit: 1/2 NPT - Lead Seal Required



TOPWORX™

3300 Fern Valley Road
 Louisville, KY 40213

(502)969-8000 PH
 (502)969-5911 FAX
 www.topworx.com