

77WCLF-HC Series

Copper Press End Bronze Ball Valve with Press x Hose Connection

LEAD FREE

New!



"Apollo" PRESS



Job Name:	
Job Location:	
Engineer:	
Contractor:	
Tag:	
PO#:	
Rep:	
Wholesale Dist:	

DESCRIPTION

The lead free* 77WCLF-HC Press x Hose Cap & Chain Ball Valves incorporates APOLLOPRESS® technology. Valves feature a 3/4" hose connection with heavy brass cap to protect the threads. The 77WCLF-HC is ideal for most plumbing and heating systems, including potable water. Now with Leak Before Press® feature and 300 psig maximum working pressure. The 77WCLF-HC features a cast bronze body and a copper press retainer for maximum durability & protection against corrosion and dezincification.

FEATURES

- Press x 3/4" - 11.5 NH
- Full Port
- Adjustable Stem Packing
- Fast, Reliable, Economical Press Installation
- Leak Before Press® Technology
- Lead Free* Brass & Bronze Materials
- Heavy Brass hose thread Cap
- Stainless Steel Chain is Full Pressure Rated

PERFORMANCE RATING+

- Maximum Operating Pressure: 300 psi
- Maximum Temperature: 200°F

APOLLOPRESS® connectors are designed for direct mechanical connection to ASTM B88-Type K, L, and M copper tubing in the hard drawn condition. Press connectors are not suitable for steam or flammable gas service

APPROVALS

- MSS SP-110 Ball Valves
- NSF/ANSI/CAN 61 - Water Quality
- NSF/ANSI 372 - Lead Free
- ANSI/ASME B1.20.7 Hose Thread
- IAPMO/ANSI Z1157

APPROVED APPLICATIONS

- Potable Water
- Hydronic Heating (50% glycol max)
- Not compatible with soft annealed copper tubing

OPTIONS

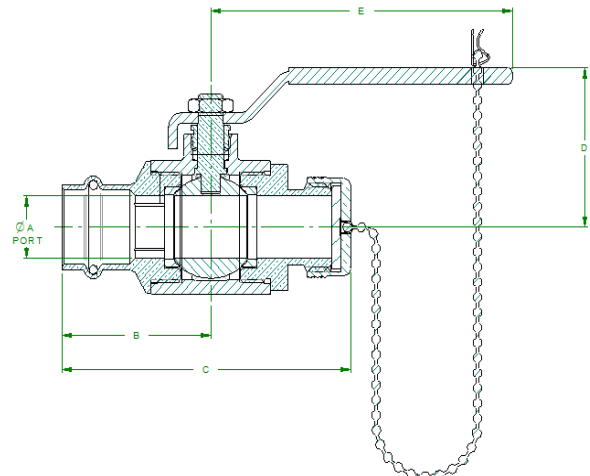
- (-04) 2-1/4" Stem Extension
- (-07) Tee-Handle
- (-10) Stainless Steel Handle and Nut
- (-11) Therma-Seal™ Insulating Tee Handle
- (-27) Locking Handle **NEW!**
- (-92) Balancing Stop
- (-94) 2-1/4" Stem Extension and Balancing Stop
- (77WCLF-14x-HC Series) Type 316SS Ball and Stem
- (77W-HCA Series) Standard Bronze Hose Cap

STANDARD MATERIALS LIST

BODY	C89836 Lead Free* Bronze
SEAT	Teflon RPTFE
BALL	C27451 Lead Free* Brass Cr. Plated
STEM PACKING	Teflon RPTFE
NUT	Corrosion Resistant Plated Steel
STEM	C27451 Lead Free* DZR Brass
PRESS RETAINER	C122000 Copper (99.9%)
HOSE RETAINER	C27451 Lead Free* DZR Brass
HOSE CAP	Brass, ASTM B16, C36000
HANDLE	Plated Steel/Insulated Polyvinyl
GLAND NUT	Brass, ASTM B16, C36000
O-RING	EPDM
BALL CHAIN	Stainless Steel

DIMENSIONS

PART NUMBER	SIZE (IN.)	DIMENSIONS (IN.)					WT. (LB.)
		A	B	C	D	E	
77WCLF103HC	1/2"	0.50	1.54	3.15	1.71	3.86	0.79
77WCLF104HC	3/4"	0.75	1.90	3.70	1.91	3.86	1.25



*LEAD FREE: The wetted surfaces of this product shall contain no more than 0.25% lead by weighted average. Complies with Federal Public Law 111-380. ANSI 3rd party approved and listed.