

# 78-621 THRU 78-625 SERIES BRONZE IRRIGATION BALL VALVE

Female NPT Thread. 600 psig Water, Cold Non-Shock.



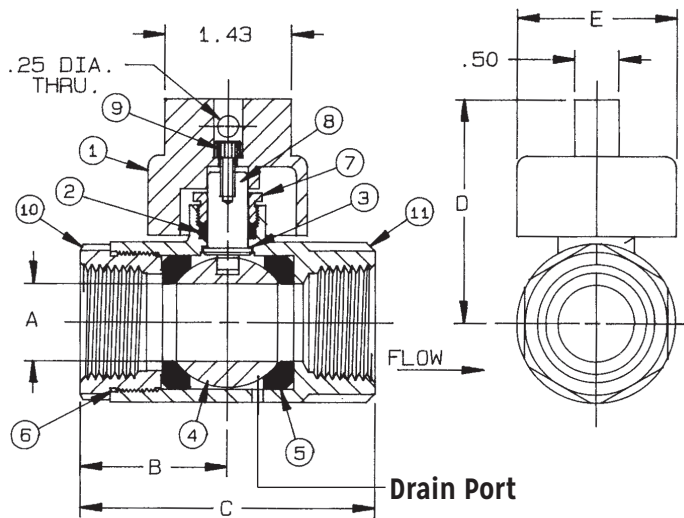
## FEATURES

- Two piece body
- RPTFE seats and stuffing box ring
- Temperature range: +50°F to +200°F
- Blowout-proof stem design
- Adjustable packing gland
- Automatic Draining in the Off Position
- Stainless steel underground curb stop handle

## STANDARD MATERIAL LIST

	PART	MATERIAL
1	Head adapter	A351-CF8M
2	Stem packing	MPTFE
3	Stem bearing	RPTFE
4	Ball	B16 Brass, chrome plated
5	Seat (2)	RPTFE
6	Body seal	PTFE (1.25" to 2")
7	Gland nut	B16 Brass
8	Stem	B16 Brass
9	Screw	SS
10	Retainer	B16 Brass (3/4" to 1") B584-C84400 (1.25" to 2")
11	Body	B584-C84400

Caution: Do not use where drained media could cause damage.  
See options section (option -41) for description of Auto-Drain feature.



## DIMENSIONS

PRODUCT NUMBER	SIZE	A	B	C	D	E	WT.
78-621-01	3/4"	0.68	1.47	2.96	2.40	1.81	1.59
78-622-01	1"	0.87	1.66	3.34	2.53	1.81	1.92
78-623-01	1.25"	1.00	1.98	3.97	3.00	2.50	3.57
78-624-01	1.5"	1.25	2.12	4.28	3.18	2.50	4.68
78-625-01	2"	1.50	2.35	4.67	3.37	2.50	6.11