

# 77CLF-300-A Series

Full Port Union End Ball Valve

## LEAD FREE



Job Name:	
Job Location:	
Engineer:	
Contractor:	
Tag:	
PO#:	
Rep.:	
Wholesale Dist.:	

### DESCRIPTION

The Apollo 77CLF300 Series Union End Ball Valve features dezincification resistant Lead Free\* bronze body, generously sized RPTFE seats and stem packing, and a lead free\* "Solid Ball" design that delivers true full-port flow performance. Cast and machined in Apollo's South Carolina manufacturing plants using lead free\* materials.

### FEATURES

- Lead Free\* Brass & Bronze Materials Easily Identifiable Blue "Lead Free" Hang Tag
- Reinforced RPTFE Seats & Seals
- **Manufactured and 100% Factory Tested in USA**

### APPROVALS

- MSS SP-110 - Ball Valves
- NSF/ANSI 61 - Water Quality
- NSF/ANSI 372 - Lead Free
- CRN: OC10908.5C

### PERFORMANCE RATING

- Maximum Pressure: 600 psi CWP
- Maximum Temperature: 180°F
- Vacuum Service to 29 in. Hg

### OPTIONS

- (-01) Standard Lever
- (-04) 2-1/4" Stem Extension
- (-07) Tee Handle
- (-10) S.S. Handle and Nut
- (-11) Therma-Seal™ Insulating Tee Handle
- (-27) Locking Handle

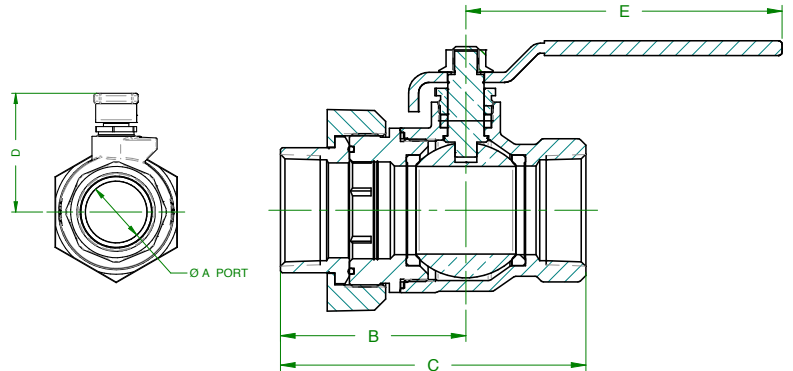
### STANDARD MATERIALS LIST

<b>NUT</b>	Zinc Plated Steel
<b>UNION NUT</b>	ASTM B16 Brass or ASTM B584
<b>PACKING</b>	RPTFE
<b>O-RING</b>	Fluorocarbon
<b>SEAT</b>	RPTFE
<b>TAIL PIECE</b>	C27451 Lead Free* Brass
<b>STEM</b>	C27451 Lead Free* Brass
<b>BALL</b>	C27451 Lead Free* Brass Cr. Plated
<b>RETAINER UNION</b>	C27451 Lead Free* Brass
<b>BODY</b>	C89836 Lead Free* Bronze
<b>HANDLE</b>	Zinc Plated Steel w/ Vinyl Grip

### DIMENSIONS

PART NO.	SIZE (IN.)	DIMENSIONS (IN.)					WT (LB.)
		A	B	C	D	E	
70LF30301*	1/2	0.50	1.15	2.29	1.79	3.74	0.96
77CLF30401A	3/4	0.75	1.32	2.67	2.00	4.88	1.34
77CLF30501A	1	1.00	1.53	3.24	2.19	4.88	2.36
77CLF30601A	1-1/4	1.25	2.04	3.75	3.13	7.06	5.07
77CLF30701A	1-1/2	1.50	2.12	4.11	3.29	7.06	4.96
77CLF30801A	2	2.00	2.43	4.85	3.83	7.06	10.06

\*1/2" size only is available as model 70LF300, full-port bronze construction.



\*LEAD FREE: The wetted surfaces of this product shall contain no more than 0.25% lead by weighted average. Complies with Federal Public Law 111-380. ANSI 3rd party approved and listed.