

77C-UL-A Series

2 Piece Full Port Bronze Ball Valve for Fire Protection Trim and Drain Service



| | |
|------------------|--|
| Job Name: | |
| Job Location: | |
| Engineer: | |
| Contractor: | |
| Tag: | |
| PO#: | |
| Rep: | |
| Wholesale Dist.: | |

DESCRIPTION

The Apollo 77C-UL-A "Contractor Grade" Ball Valve features a dezincification resistant bronze body, premium RPTFE seats and stem packing and a "Solid Ball" design that delivers true full-port flow performance. Cast and machined in Apollo's South Carolina manufacturing plants using proven ASTM materials. UL listed for fire protection trim and drain service.

FEATURES

- NPT and Solder Connections
- RPTFE Seats & Seals
- Blowout-Proof Stem Design
- Adjustable Stem Packing
- Full-Port "Solid Ball" Design
- (-01) Lever Handle Design
- 100% Factory Tested
- **Made in USA**

APPROVALS

- MSS SP-110 Compliant

UL LISTED

- UL 258 - Fire Protection Trim & Drain, Guide VQGU to 175psi max (1/4" - 2")
- *Gas approvals apply to NPT models only**

STANDARD MATERIALS LIST

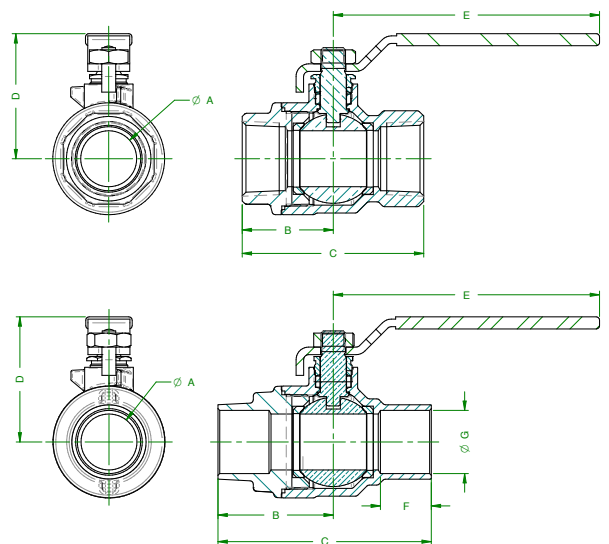
| | |
|------------------|--|
| GLAND NUT | ASTM B16 Brass |
| NUT | Zinc Plated Steel |
| PACKING | RPTFE |
| SEATS | RPTFE |
| STEM | ASTM B16 Brass |
| BALL | ASTM B16 Brass Chrome Plated or B283, C37700 Chrome Plated |
| RETAINER | B584 Bronze or B283, C37700 |
| BODY | B584 Bronze |
| HANDLE | Zinc Plated Steel/Vinyl |

****77C-2xx intended for soft solder installation using solders with melting temperature of < 500°F.**

DIMENSIONS

| PART NO. | SIZE (IN.) | DIMENSIONS (IN.) | | | | | | | | C _v | WT. * (LB.) |
|---------------|------------|------------------|------|------|------|------|------|------|-----|----------------|-------------|
| | | A | B | C | D | E | F | G | | | |
| NPT | | | | | | | | | | | |
| 77C-101-ULA | 1/4" | 0.37 | 0.88 | 1.8 | 1.65 | 2.82 | - | - | 5 | 0.6 | |
| 77C-102-ULA | 3/8" | 0.37 | 0.94 | 1.86 | 1.65 | 2.82 | - | - | 7 | 0.5 | |
| 77C-103-ULA | 1/2" | 0.50 | 1.15 | 2.29 | 1.79 | 3.82 | - | - | 16 | 0.96 | |
| 77C-104-ULA | 3/4" | 0.75 | 1.34 | 2.67 | 1.91 | 3.82 | - | - | 36 | 1.34 | |
| 77C-105-ULA | 1" | 1.00 | 1.63 | 3.24 | 2.24 | 4.72 | - | - | 68 | 2.36 | |
| 77C-106-ULA | 1-1/4" | 1.25 | 1.9 | 3.75 | 2.46 | 4.72 | - | - | 125 | 5.07 | |
| 77C-107-ULA | 1-1/2" | 1.50 | 2.06 | 4.11 | 2.9 | 5.37 | - | - | 177 | 4.96 | |
| 77C-108-ULA | 2" | 2.00 | 2.43 | 4.85 | 3.68 | 7.72 | - | - | 389 | 10.06 | |
| SOLDER | | | | | | | | | | | |
| 77C-203-ULA | 1/2" | 0.50 | 1.36 | 2.47 | 1.79 | 3.82 | 0.50 | 0.63 | 16 | 0.6 | |
| 77C-204-ULA | 3/4" | 0.75 | 1.73 | 3.20 | 1.91 | 3.82 | 0.75 | 0.88 | 36 | 1.0 | |
| 77C-205-ULA | 1" | 1.00 | 2.06 | 3.81 | 2.24 | 4.72 | 0.91 | 1.13 | 68 | 1.6 | |
| 77C-206-ULA | 1-1/4" | 1.25 | 2.22 | 4.21 | 2.46 | 4.72 | 0.97 | 1.38 | 125 | 3.9 | |
| 77C-207-ULA | 1-1/2" | 1.50 | 2.53 | 4.90 | 2.9 | 5.37 | 1.09 | 1.63 | 177 | 4.3 | |
| 77C-208-ULA | 2" | 2.00 | 3.15 | 6.07 | 3.68 | 7.72 | 1.34 | 2.13 | 389 | 7.6 | |

*Weights based on Standard Configuration



**LEAD FREE: The wetted surfaces of this product shall contain no more than 0.25% lead by weighted average. Complies with Federal Public Law 111-380. ANSI 3rd party approved and listed.*