

# 70LF-300 Series

Single Union End Bronze Ball Valve

## LEAD FREE



Job Name:	
Job Location:	
Engineer:	
Contractor:	
Tag:	
PO#:	
Rep:	
Wholesale Dist.:	

### DESCRIPTION

The Apollo 70LF-300 Series is a standard port ball valve that combines pipe union with ball valve shut-off.

### FEATURES

- ASTM B584 Lead Free Bronze
- Blowout-Proof Stem Design
- Adjustable Packing Gland
- 600 psig CWP, Non-Shock
- NPT and Solder Union Connection
- Vacuum Service to 29 in. Hg
- 70LF-300/400 Feature EZ-Solder™ Lead Free Bronze

### PERFORMANCE RATING

- Maximum Pressure: 600 psi CWP | 150 psi SWP
- Maximum Temperature: 500°F
- Vacuum Service to 29 in. Hg

### APPROVALS

- MSS SP-110 Ball Valves
- NSF/ANSI 61 Water Quality
- NSF/ANSI 372 Lead Free
- IAPMO IGC-157 Ball Valves
- Directive 2011/65/CE (RoHS)

### MODELS

- 70LF-300 Series - Standard
- 70LF-340 Series - 316 SS Ball & Stem

### OPTIONS

- (-04) 2-1/4" CS Stem Extension 1/2" - 2"
- (-10) SS Lever & Nut 1/2" - 2"
- (-27) SS Latch-Lock Lever & Nut 3/4" - 2"
- (-63) NPT x Solder/Socket Weld 1/2" - 2"

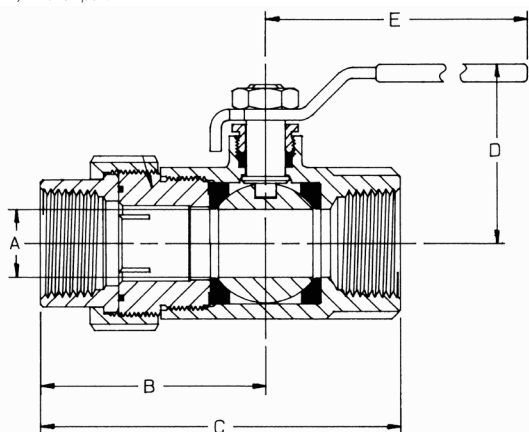
### STANDARD MATERIALS LIST

<b>BODY</b>	Lead Free Brass, C27451
<b>SEAT</b>	RPTFE
<b>BALL</b>	Lead Free Brass, C27451, Chrome Plated
<b>STEM PACKING</b>	RPTFE
<b>NUT</b>	Corrosion Resistant Plated Steel
<b>STEM</b>	Lead Free Brass, C27451
<b>RETAINER</b>	Lead Free Brass, C27451
<b>HANDLE</b>	Plated Steel / Insulated Polyvinyl
<b>GLAND</b>	Brass, ASTM B16, C36000
<b>O-RING SEALS</b>	Viton

### DIMENSIONS

MODEL NUMBER	SIZE (IN.)	DIMENSIONS (IN.)					WT. (LB.)
		A	B	C	D	E	
70LF-303-01	1/2	0.50	2.00	3.09	1.75	3.87	0.99
70LF-304-01	3/4	0.68	2.46	3.96	2.12	4.87	1.91
70LF-305-01A	1	0.87	2.84	4.52	2.25	4.87	2.42
70LF-306-01	1-1/4	1.00	2.68	4.68	2.62	5.50	4.27
70LF-307-01	1-1/2	1.25	2.87	5.06	3.05	8.00	5.82
70LF-308-01	2	1.50	3.25	5.59	3.24	8.00	8.55

NOTE: 1/2" is full port



\*LEAD FREE: The wetted surfaces of this product shall contain no more than 0.25% lead by weighted average. Complies with Federal Public Law 111-380. ANSI 3rd party approved and listed.