

# 70LF-200 Series

Solder Bronze Ball Valve

## LEAD FREE



Job Name:	
Job Location:	
Engineer:	
Contractor:	
Tag:	
PO#:	
Rep:	
Wholesale Dist.:	

### DESCRIPTION

The Apollo 70LF Series two-piece regular port ball valve has the same rugged features as the industry standard 70 Series valves with the added advantage of DZR lead free\* materials. The 70LF is ideal for plumbing and heating systems, including potable water. Trusted Apollo® performance with a wide range of popular options.

### FEATURES

- Lead Free\* Brass & Bronze Materials
- EZ-Solder™ Lead Free\* Brass & Bronze Materials\*\*
- Distinctive White "Lead Free" Handle Grip and Blue "Lead Free" Hang Tag
- RPTFE Seats and Stuffing Box Ring
- Chromium Plated Ball
- **Designed, Manufactured and 100% Factory Tested in the USA**

### PERFORMANCE RATING

- CWP: 600 psi (41.37 Bar) at 100°F
- Maximum Temperature: 350°F
- Vacuum Service to 29 in. Hg

### MODELS

- 70LF-200 Series - Standard
- 70LF-240 Series - 316 SS Ball & Stem

### APPROVALS

- MSS SP-110 - Ball Valves Threaded, Socket-Welding, Solder Joint, Grooved and Flared Ends
- NSF/ANSI 61 - Water Quality
- NSF/ANSI 372 - Lead Free
- CRN: OC10908.5C

### OPTIONS

- (-04) 2-1/4" CS Stem Extension 3/8" - 3"
- (-07) Steel Tee Handle 3/8" - 2"
- (-10) SS Lever & Nut 3/8" - 3"
- (-11) Therma-Seal™ Insulating Tee Handle 3/8" - 2"
- (-27) SS Latch-Lock Lever & Nut 3/8" - 4"
- (-48) SS Oval Handle (No Latch)& Nut 3/8" - 2"
- (-92) Balancing Stop 3/8" - 3"
- (-94) -04 Option & Balancing Stop 3/8" - 3"
- (-HC) Hose Cap & Chain 1/2" - 1"

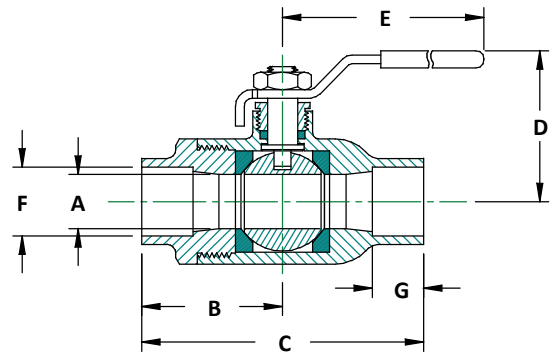
### STANDARD MATERIALS LIST

<b>LEVER / GRIP</b>	Steel, Zinc Plated w/ Vinyl Grip
<b>STEM PACKING</b>	MPTFE
<b>STEM BEARING</b>	RPTFE
<b>BALL</b>	C27451, Lead Free Brass, Cr Plated
<b>SEAT (2)</b>	RPTFE
<b>RETAINER</b>	C27451 Lead Free Brass (3/8" to 1") C89836 Lead Free Bronze (1-1/4" - 4")
<b>GLAND NUT</b>	B16 Brass
<b>STEM</b>	C27451 Lead Free* Brass A276-316 Stainless Steel (3" only)
<b>LEVER NUT</b>	Steel, Zinc Plated
<b>BODY</b>	C89836 Lead Free* Bronze

**\*\*70LF-2xx intended for soft solder installation using solders with melting temperature of < 500°F.**

### DIMENSIONS

PART NUMBER	SIZE (IN.)	DIMENSIONS (IN.)							WT. (LB.)
		A	B	C	D	E	F	G	
70LF-202-01	3/8"	0.37	1.28	2.56	1.75	3.87	0.51	0.37	0.63
70LF-203-01	1/2"	0.50	1.43	2.87	1.75	3.87	0.63	0.50	0.71
70LF-204-01	3/4"	0.68	1.93	3.87	2.12	4.87	0.88	0.75	1.44
70LF-205-01	1"	0.87	2.25	4.50	2.25	4.87	1.13	0.90	1.91
70LF-206-01	1-1/4"	1.00	2.31	4.62	2.62	5.50	1.38	0.96	2.95
70LF-207-01	1-1/2"	1.25	2.62	5.25	3.06	8.00	1.63	1.09	3.99
70LF-208-01	2"	1.50	3.18	6.37	3.25	8.00	2.13	1.34	5.71
70LF-209-01	2-1/2"	2.00	3.74	7.51	3.72	8.00	2.63	1.48	15.53
70LF-200-01	3"	2.50	4.12	8.25	4.12	8.00	3.13	1.67	16.74
70LF-20A-01	4"	3.13	5.65	10.26	5.22	9.94	4.13	2.16	27.93



\*LEAD FREE: The wetted surfaces of this product shall contain no more than 0.25% lead by weighted average. Complies with Federal Public Law 111-380. ANSI 3rd party approved and listed.