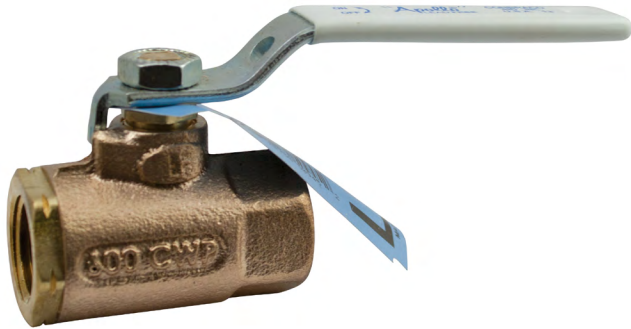


# 70LF-100 Series

NPT Bronze Ball Valve

## LEAD FREE



Job Name:	
Job Location:	
Engineer:	
Contractor:	
Tag:	
PO#:	
Rep:	
Wholesale Dist.:	

### DESCRIPTION

The Apollo 70LF Series two-piece regular port ball valve has the same rugged features as the industry standard 70 Series valves with the added advantage of DZR lead free\* materials. The 70LF is ideal for plumbing and heating systems, including potable water. Trusted Apollo® performance with a wide range of popular options.

### FEATURES

- EZ-Solder™ Lead Free\* Brass & Bronze Materials
- Distinctive White "Lead Free" Handle Grip and Blue "Lead Free" Hang Tag
- RPTFE Seats and Stuffing Box Ring
- Chromium Plated Ball
- **Designed, Manufactured and 100% Factory Tested in the USA**

### PERFORMANCE RATING

- CWP: 600 psi (41.37 Bar) at 100°F
- SWP: 150 psi (10.34 Bar) at 366°F
- Maximum Temperature: 350°F
- Vacuum Service to 29 in. Hg

### MODELS

- 70LF-100 Series - Standard
- 70LF-140 Series - 316 SS Ball & Stem

### APPROVALS

- MSS SP-110 - Ball Valves Threaded, Socket-Welding, Solder Joint, Grooved and Flared Ends
- NSF/ANSI 61 - Water Quality
- NSF/ANSI 372 - Lead Free
- CRN: OC10908.5C

### OPTIONS

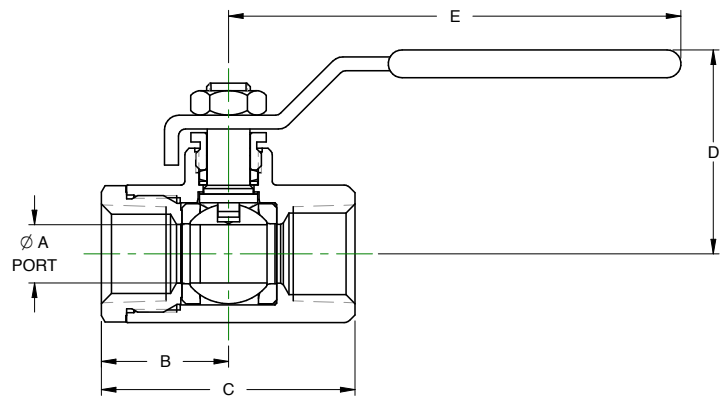
- (-04) 2-1/4" CS Stem Extension 1/4" - 3"
- (-07) Steel Tee Handle 1/4" - 2"
- (-10) SS Lever & Nut 1/4" - 3"
- (-11) Therma-Seal™ Insulating Tee Handle 1/4" - 2"
- (-27) SS Latch-Lock Lever & Nut 1/4" - 4"
- (-92) Balancing Stop 1/4" - 3"
- (-94) -04 Option & Balancing Stop 1/4" - 3"
- (-HC) Hose Cap & Chain 1/2" - 1"

### STANDARD MATERIALS LIST

<b>LEVER / GRIP</b>	Steel, Zinc Plated w/ Vinyl Grip
<b>STEM PACKING</b>	MPTFE
<b>STEM BEARING</b>	RPTFE
<b>BALL</b>	C27451, Lead Free Brass, Cr Plated
<b>SEAT (2)</b>	RPTFE
<b>RETAINER</b>	C27451 Lead Free Brass (1/4" to 1") C89836 Lead Free Bronze (1-1/4" - 4")
<b>GLAND NUT</b>	B16 Brass
<b>STEM</b>	C27451 Lead Free* Brass A276-316 Stainless Steel (3" only)
<b>LEVER NUT</b>	Steel, Zinc Plated
<b>BODY</b>	C89836 Lead Free* Bronze

### DIMENSIONS

PART NUMBER	SIZE (IN.)	DIMENSIONS (IN.)					WT. (LB.)
		A	B	C	D	E	
70LF-101-01	1/4"	0.37	1.03	2.06	1.75	3.87	0.60
70LF-102-01	3/8"	0.37	1.03	2.06	1.75	3.87	0.56
70LF-103-01	1/2"	0.50	1.12	2.25	1.75	3.87	0.63
70LF-104-01	3/4"	0.68	1.50	3.00	2.12	4.87	1.39
70LF-105-01	1"	0.87	1.68	3.37	2.25	4.87	1.72
70LF-106-01	1-1/4"	1.00	2.00	4.00	2.62	5.50	3.26
70LF-107-01	1-1/2"	1.25	2.18	4.37	3.06	8.00	4.61
70LF-108-01	2"	1.50	2.34	4.68	3.25	8.00	6.06
70LF-109-01	2-1/2"	2.00	3.12	6.25	3.72	8.00	13.96
70LF-100-01	3"	2.50	3.37	6.75	4.12	8.00	18.60
70LF-10A-01	4"	3.12	3.68	7.37	5.25	10.00	25.50



\*LEAD FREE: The wetted surfaces of this product shall contain no more than 0.25% lead by weighted average. Complies with Federal Public Law 111-380. ANSI 3rd party approved and listed.