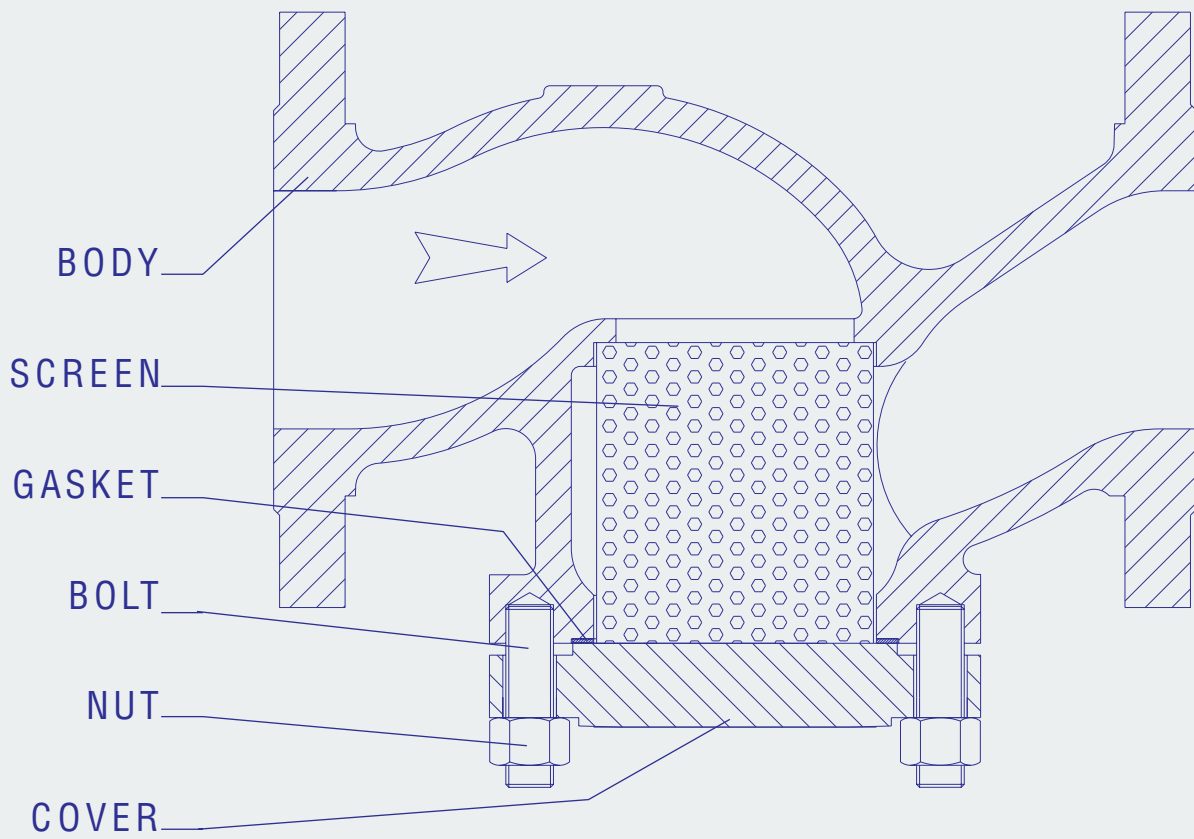
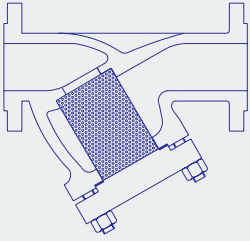
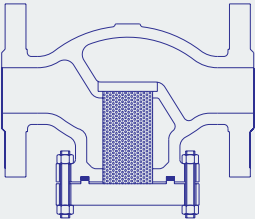
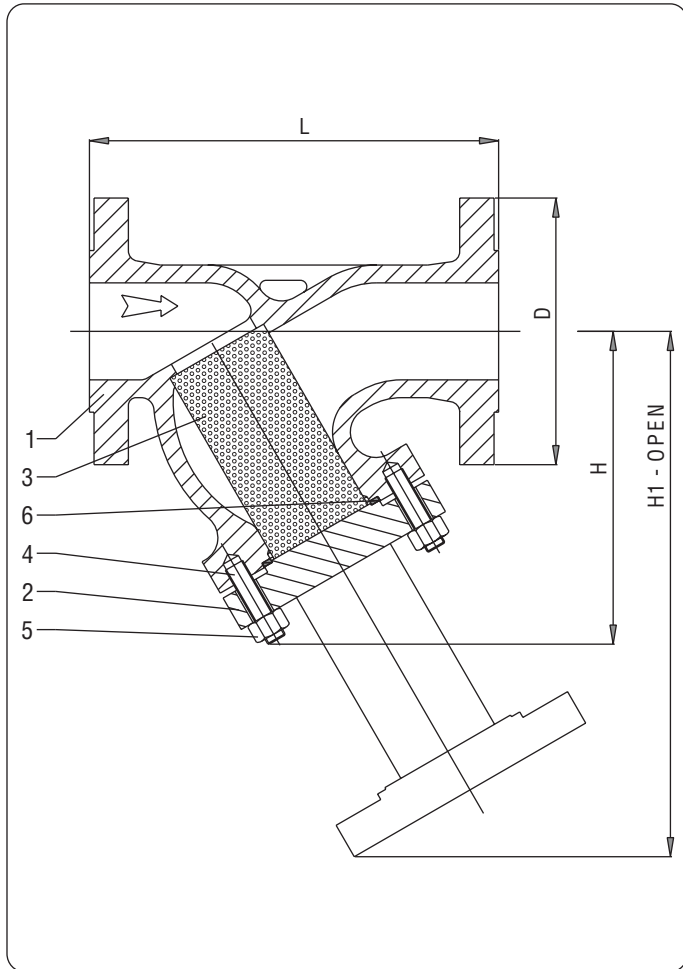


## DESCRIPTION OF A TYPICAL STRAINER BASKET TYPE



	TYPE	CLASS	SIZES	FIG. N.
 <p data-bbox="443 398 662 526">STRAINERS 'Y' TYPE</p> <p data-bbox="635 678 762 712">page 110</p>	<p data-bbox="901 405 981 439">PN16</p> <p data-bbox="874 461 1008 495">PN 25/40</p> <p data-bbox="901 517 981 551">PN 63</p> <p data-bbox="890 573 992 607">PN 100</p> <p data-bbox="890 629 992 663">PN 160</p>	<p data-bbox="1161 405 1295 439">15 - 600</p> <p data-bbox="1161 461 1295 495">15 - 600</p> <p data-bbox="1161 517 1295 551">15 - 600</p> <p data-bbox="1161 573 1295 607">15 - 300</p> <p data-bbox="1161 629 1295 663">15 - 300</p>	<p data-bbox="1439 405 1513 439"><b>1404</b></p> <p data-bbox="1439 461 1513 495"><b>1433</b></p> <p data-bbox="1417 517 1535 551"><b>1560YS</b></p> <p data-bbox="1417 573 1535 607"><b>1570YS</b></p> <p data-bbox="1417 629 1535 663"><b>1580YS</b></p>	
 <p data-bbox="427 779 678 907">STRAINERS BASKET TYPE</p> <p data-bbox="635 1059 762 1093">page 112</p>	<p data-bbox="901 786 981 819">PN16</p> <p data-bbox="874 842 1008 875">PN 25/40</p> <p data-bbox="901 898 981 931">PN 63</p> <p data-bbox="890 954 992 987">PN 100</p> <p data-bbox="890 1010 992 1043">PN 160</p>	<p data-bbox="1161 786 1295 819">15 - 600</p> <p data-bbox="1161 842 1295 875">15 - 600</p> <p data-bbox="1161 898 1295 931">15 - 600</p> <p data-bbox="1161 954 1295 987">15 - 300</p> <p data-bbox="1161 1010 1295 1043">15 - 300</p>	<p data-bbox="1417 786 1535 819"><b>1401BS</b></p> <p data-bbox="1417 842 1535 875"><b>1430BS</b></p> <p data-bbox="1417 898 1535 931"><b>1560BS</b></p> <p data-bbox="1417 954 1535 987"><b>1570BS</b></p> <p data-bbox="1417 1010 1535 1043"><b>1580BS</b></p>	



*standard features*

- **Description** BOLTED COVER  
REPLACEABLE SCREEN
- **Design** DIN 3352  
DIN 3840
- **Face to face** DIN 3202
- **Flanges** DIN 2501  
DIN 2547  
DIN 2526 FORM E  
BW TO DIN 3239
- **Testing** DIN 3352 Part 1  
DIN 3230 Part 3
- **Rating** DIN 2401
- **Marking** EN 19  
CE - PED
- **Certificates** EN 10204 - 3.1 B

PART NAME	G1404 - (CAST IRON)	A1433 A1560YS A1570YS A1580YS	FK1433 FK1560YS FK1570YS FK1580YS
<b>1 Body</b>	EN-GJL-250	1.0619 (A)	1.4581
<b>2 Cover</b>	EN-GJL-250	1.0619 (B)	1.4581
<b>3 Screen</b>	X5CrNi18-10 (1)	X5CrNi18-10 (1)	X2CrNiMo17-12-2 (1)
<b>4 Bolts</b>	CK35	CK35	A2-70
<b>5 Nuts</b>	C35	C35	A2-70
<b>6 Gasket</b>	S. S. reinforced graphite (3)	S. S. reinforced graphite (3)	S. S. reinforced graphite (3)

(1) On request: other materials

(2) On request: PTFE - other materials

(A) For PN ≤ 40 and DN ≤ 25 = 1.0460

For PN ≥ 63 and DN ≤ 25 = 1.0460

(B) For PN ≤ 40 and DN ≤ 80 = 1.0460

For PN ≥ 63 and DN ≤ 40 = 1.0460

All data, subject to technical changes, are only for information and not for official use.

# STRAINERS - 'Y' TYPE

## DIN PN 16 - 25 - 40 - 63 - 100 - 160

**VALVOSIDER**  
MANUFACTURER OF VALVES

**FIG. 1404 - STRAINERS - 'Y' TYPE DIN PN 16 - CAST IRON - F1**

SIZE DN	15	20	25	32	40	50	65	80	100	125	150	175	200	250	300	350	400	450	500	600
L RF	130	150	160	180	200	230	290	310	350	400	480	550	600	730	850	980	1100	1200	1250	1450
D	95	105	115	140	150	165	185	200	220	250	285	315	340	405	460	520	580	640	715	840
H	70	80	85	100	110	115	130	145	165	185	205	235	250	300	360	410	460	520	570	--
H1	130	144	155	172	200	220	265	290	340	390	440	505	520	680	845	870	1000	--	--	--

**FIG.1433 - STRAINERS - 'Y' TYPE DIN PN 25 / 40 - F1**

SIZE DN	15	20	25	32	40	50	65	80	100	125	150	175	200	250	300	350	400	450	500	600
L RF/BW	130	150	160	180	200	230	290	310	350	400	480	550	600	730	850	980	1100	1200	1250	1450
D - PN25	95	105	115	140	150	165	185	200	235	270	300	330	360	425	485	555	620	670	730	845
D - PN40	95	105	115	140	150	165	185	200	235	270	300	350	375	450	515	580	660	685	755	890
H	70	80	85	100	110	125	145	160	190	220	250	295	320	385	450	510	585	610	670	--
H1	130	144	155	172	200	230	280	305	365	425	485	565	590	765	935	970	1125	--	--	--

**FIG. 1560YS - STRAINERS - 'Y' TYPE DIN PN 63 - F2**

SIZE DN	15	20	25	32	40	50	65	80	100	125	150	175	200	250	300	350	400	450	500	600
L RF/BW	210	230	230	260	260	300	340	380	430	500	550	600	650	775	900	1025	1150	--	1400	1600
D	105	130	140	155	170	180	205	215	250	295	345	375	415	470	530	600	670	--	800	930
H	105	120	120	135	150	160	180	200	230	280	310	340	390	430	500	--	--	--	--	--
H1	165	184	190	207	240	265	315	345	405	485	545	610	660	810	985	--	--	--	--	--

**FIG. 1570YS - STRAINERS - 'Y' TYPE DIN PN 100 - F2**

SIZE DN	15	20	25	32	40	50	65	80	100	125	150	175	200	250	300	350	400	450	500	600
L RF/BW	210	230	230	260	260	300	340	380	430	500	550	600	650	775	900	--	--	--	--	--
D	105	130	140	155	170	195	220	230	265	315	355	385	430	505	585	--	--	--	--	--
H	105	120	120	135	150	170	200	220	250	300	350	380	410	480	570	--	--	--	--	--
H1	165	184	190	207	240	275	335	365	425	505	585	650	680	860	1055	--	--	--	--	--

**FIG. 1580YS - STRAINERS - 'Y' TYPE DIN PN 160 - F2**

SIZE DN	15	20	25	32	40	50	65	80	100	125	150	175	200	250	300	350	400	450	500	600
L RF/BW	210	230	230	260	260	300	340	380	430	500	550	600	650	775	900	--	--	--	--	--
D	105	130	140	155	170	195	220	230	265	315	355	390	430	515	585	--	--	--	--	--
H	110	125	125	140	155	180	220	240	270	320	370	400	430	500	600	--	--	--	--	--
H1	170	189	195	212	245	285	355	385	445	525	605	670	700	880	1085	--	--	--	--	--

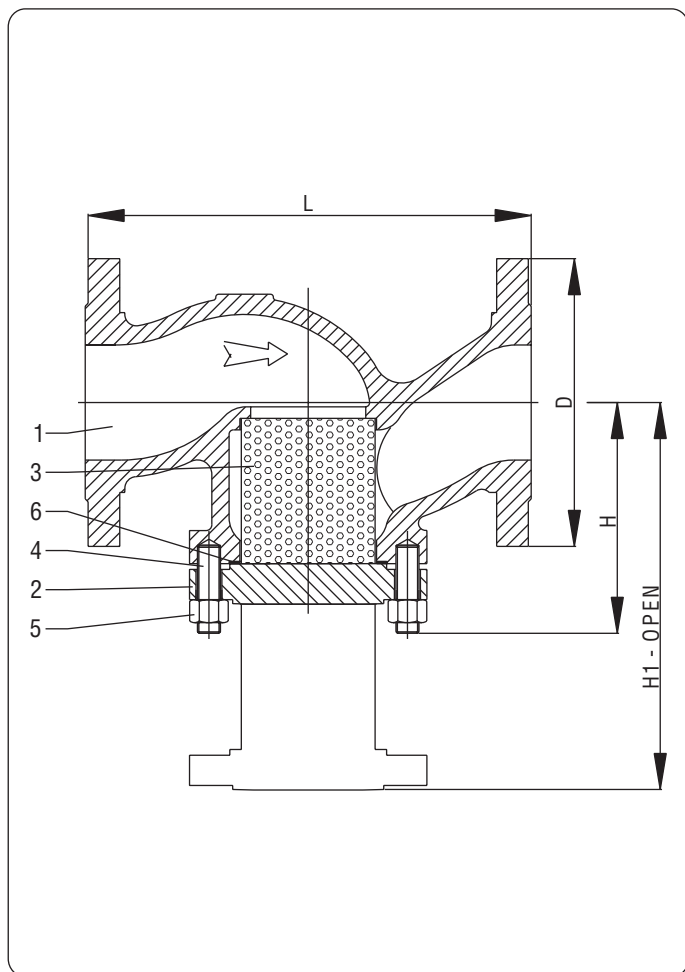
*features on request*

- |  |   |
|--|---|
| <input type="checkbox"/> SCREEN IN SPECIAL MATERIALS | <input type="checkbox"/> BW ENDS          |
| <input type="checkbox"/> DISCHARGE VALVE             | <input type="checkbox"/> ANSI CONNECTIONS |
| <input type="checkbox"/> DRAIN PLUG                  |   |

All dimensions in mm (except where differently indicated)

All data, subject to technical changes, are only for information and not for official use.

VALVOSIDER s.r.l. - Via S. Rocco, 2 - P.O. BOX 76 - 13011 Borgosesia (VC) - Italy  
Phone: +39016322991 - Fax: +39016321537 - www.valvosider.com - e-mail: valvo@valvosider.com



*standard features*

- **Description** BOLTED COVER  
REPLACEABLE SCREEN
- **Design** DIN 3352  
DIN 3840
- **Face to face** DIN 3202
- **Flanges** DIN 2501  
DIN 2547  
DIN 2526 FORM E  
BW TO DIN 3239
- **Testing** DIN 3352 Part 1  
DIN 3230 Part 3
- **Rating** DIN 2401
- **Marking** EN 19  
CE - PED
- **Certificates** EN 10204 - 3.1 B

PART NAME	FIG. 1401 - (CAST IRON)	A1430BS A1560BS A1570BS A1580BS	FK1430BS FK1560BS FK1570BS FK1580BS
<b>1 Body</b>	EN-GJL-250	1.0619 (A)	1.4581
<b>2 Cover</b>	EN-GJL-250	1.0619 (B)	1.4581
<b>3 Screen</b>	X5CrNi18-10 (1)	X5CrNi18-10 (1)	X2CrNiMo17-12-2 (1)
<b>4 Bolts</b>	C K35	C K35	A2-70
<b>5 Nuts</b>	C35	C35	A2-70
<b>6 Gasket</b>	S. S. reinforced graphite (3)	S. S. reinforced graphite (3)	S. S. reinforced graphite (3)

(1) On request: other materials

(2) On request: PTFE - other materials

(A) For PN ≤ 40 and DN ≤ 25 = 1.0460

For PN ≥ 63 and DN ≤ 25 = 1.0460

(B) For PN ≤ 40 and DN ≤ 80 = 1.0460

For PN ≥ 63 and DN ≤ 40 = 1.0460

All data, subject to technical changes, are only for information and not for official use.

# STRAINERS - BASKET TYPE

## DIN PN 16 - 25 - 40 - 63 - 100 - 160

**VALVOSIDER**  
MANUFACTURER OF VALVES

**FIG. 1401BS - STRAINERS - BASKET TYPE DIN PN 16 - CAST IRON - F1**

SIZE DN	15	20	25	32	40	50	65	80	100	125	150	175	200	250	300	350	400	450	500	600
L RF	130	150	160	180	200	230	290	310	350	400	480	550	600	730	850	980	1100	1200	1250	1450
D	95	105	115	140	150	165	185	200	220	250	285	315	340	405	460	520	580	640	715	840
H	70	80	85	100	110	115	130	145	165	185	205	235	250	300	360	410	460	520	570	--
H1	130	144	155	172	200	220	265	290	340	390	440	505	520	680	845	870	1000	520	570	--

**FIG.1430BS - STRAINERS - BASKET TYPE DIN PN 25 / 40 - F1**

SIZE DN	15	20	25	32	40	50	65	80	100	125	150	175	200	250	300	350	400	450	500	600
L RF/BW	130	150	160	180	200	230	290	310	350	400	480	550	600	730	850	980	1100	1200	1250	1450
D - PN25	95	105	115	140	150	165	185	200	235	270	300	330	360	425	485	555	620	670	730	845
D - PN40	95	105	115	140	150	165	185	200	235	270	300	350	375	450	515	580	660	685	755	890
H	70	80	85	100	110	125	145	160	190	220	250	295	320	385	450	510	585	610	670	--
H1	130	144	155	172	200	230	280	305	365	425	485	565	590	765	935	970	1125	610	670	--

**FIG. 1560BS - STRAINERS - BASKET TYPE DIN PN 63 - F2**

SIZE DN	15	20	25	32	40	50	65	80	100	125	150	175	200	250	300	350	400	450	500	600
L RF/BW	210	230	230	260	260	300	340	380	430	500	550	600	650	775	900	1025	1150	--	1400	1600
D	105	130	140	155	170	180	205	215	250	295	345	375	415	470	530	600	670	--	800	930
H	105	120	120	135	150	160	180	200	230	280	310	340	390	430	500	--	--	--	--	--
H1	165	184	190	207	240	265	315	345	405	485	545	610	660	810	985	--	--	--	--	--

**FIG. 1570BS - STRAINERS - BASKET TYPE DIN PN 100 - F2**

SIZE DN	15	20	25	32	40	50	65	80	100	125	150	175	200	250	300	350	400	450	500	600
L RF/BW	210	230	230	260	260	300	340	380	430	500	550	600	650	775	900	--	--	--	--	--
D	105	130	140	155	170	195	220	230	265	315	355	385	430	505	585	--	--	--	--	--
H	105	120	120	135	150	170	200	220	250	300	350	380	410	480	570	--	--	--	--	--
H1	165	184	190	207	240	275	335	365	425	505	585	650	680	860	1055	--	--	--	--	--

**FIG. 1580BS - STRAINERS - BASKET TYPE DIN PN 160 - F2**

SIZE DN	15	20	25	32	40	50	65	80	100	125	150	175	200	250	300	350	400	450	500	600
L RF/BW	210	230	230	260	260	300	340	380	430	500	550	600	650	775	900	--	--	--	--	--
D	105	130	140	155	170	195	220	230	265	315	355	390	430	515	585	--	--	--	--	--
H	110	125	125	140	155	180	220	240	270	320	370	400	430	500	600	--	--	--	--	--
H1	170	189	195	212	245	285	355	385	445	525	605	670	700	880	1085	--	--	--	--	--

*features on request*

- |  |   |
|--|---|
| <input type="checkbox"/> SCREEN IN SPECIAL MATERIALS | <input type="checkbox"/> BW ENDS          |
| <input type="checkbox"/> DISCHARGE VALVE             | <input type="checkbox"/> ANSI CONNECTIONS |
| <input type="checkbox"/> DRAIN PLUG                  |   |

All dimensions in mm (except where differently indicated)

All data, subject to technical changes, are only for information and not for official use.

VALVOSIDER s.r.l. - Via S. Rocco, 2 - P.O. BOX 76 - 13011 Borgosesia (VC) - Italy  
Phone: +39016322991 - Fax: +39016321537 - www.valvosider.com - e-mail: valvo@valvosider.com