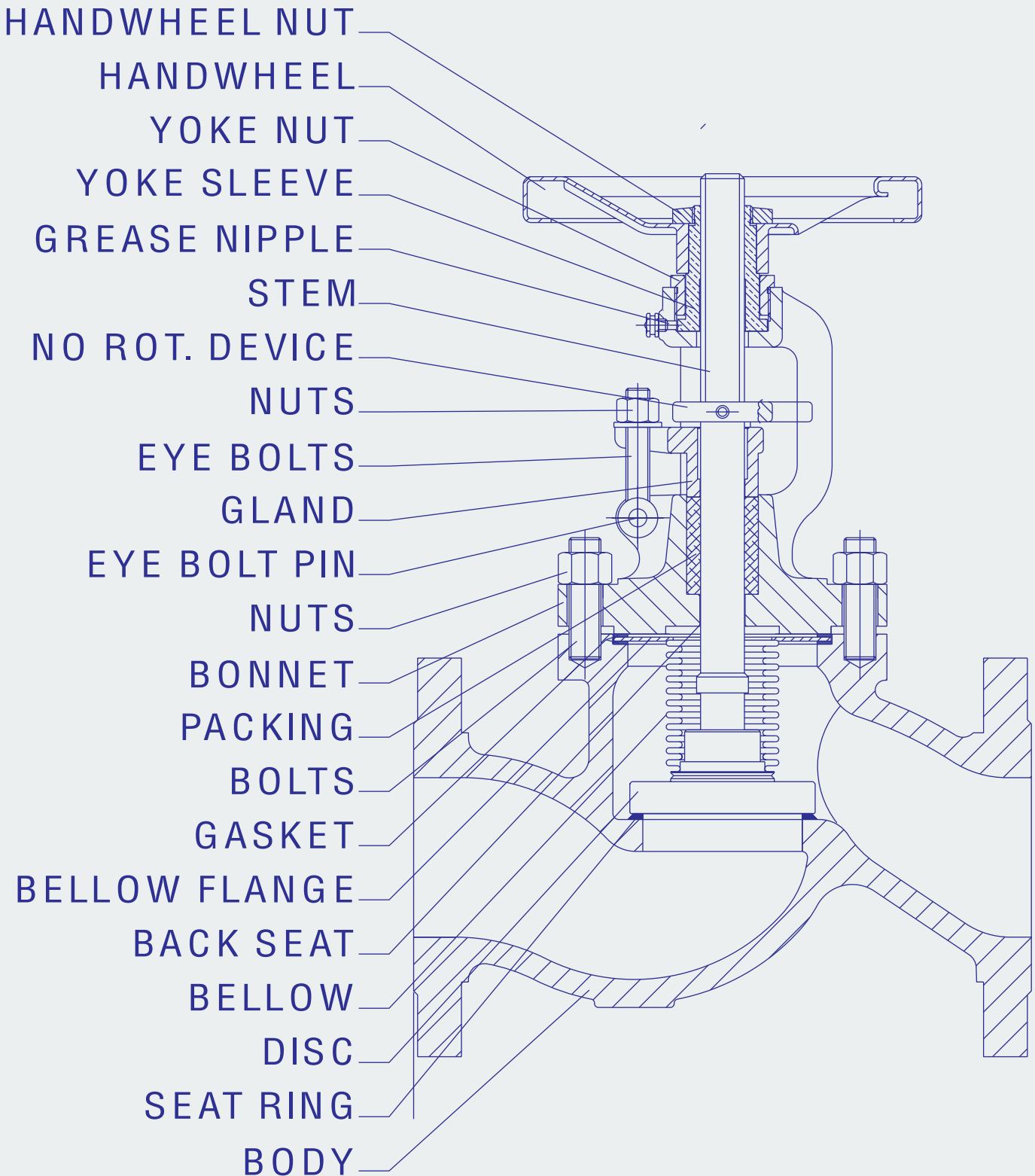
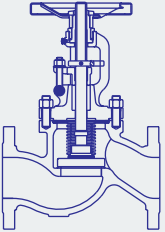
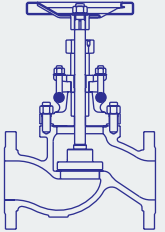
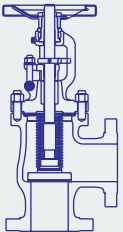
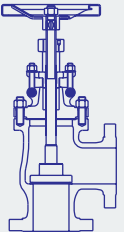
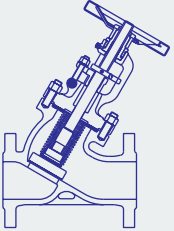
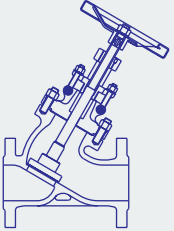
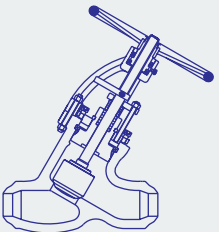
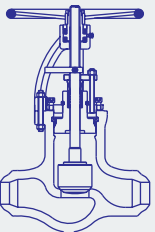

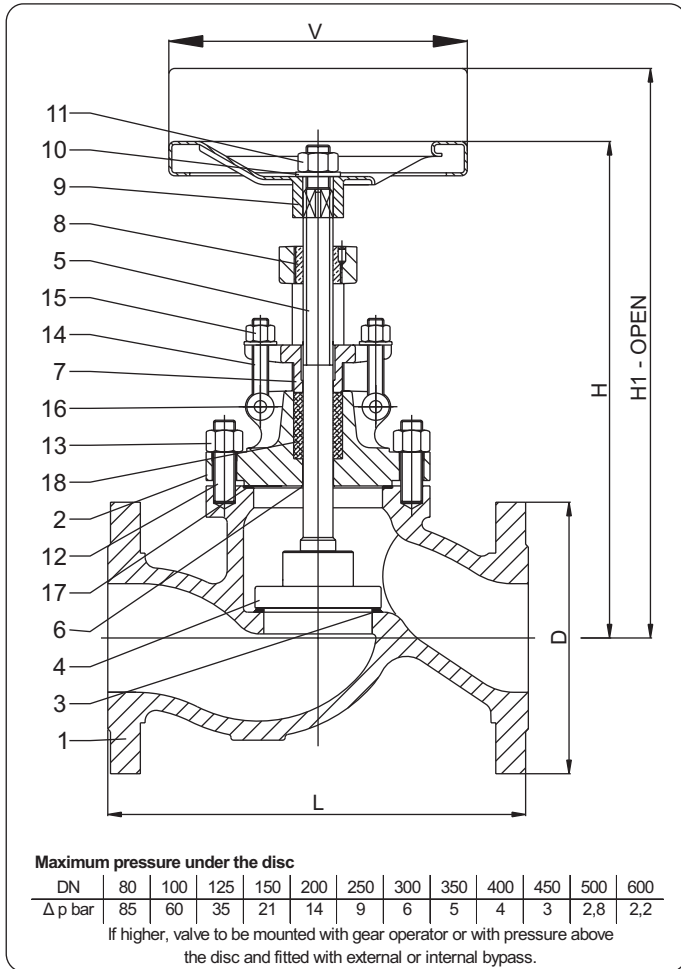


DESCRIPTION OF A TYPICAL GLOBE VALVE - BELLOW SEAL



TYPE	CLASS	SIZES	FIG. N.	TYPE	CLASS	SIZES	FIG. N.
GLOBE VALVES BELLOW SEAL 	PN16/25	15 - 600	1800	GLOBE VALVES BOLTED BONNET 	PN16	15 - 600	1401
	PN 25/40	15 - 600	1670		PN 25/40	15 - 600	1430
	PN 63	15 - 600	1560SO		PN 63	15 - 600	1560
	PN 100	15 - 300	1570SO		PN 100	15 - 300	1570
page 78				page 72			
GLOBE VALVES 90° ANGLE BELLOW SEAL 	PN16	15 - 600	1810	GLOBE VALVES 90° ANGLE BOLTED BONNET 	PN16	15 - 600	1410
	PN 25/40	15 - 600	1680		PN 25/40	15 - 600	1440
	PN 63	15 - 600	1560ASO		PN 63	15 - 600	1560A
	PN 100	15 - 300	1570ASO		PN 100	15 - 300	1570A
page 80				page 74			
GLOBE VALVES Y TYPE BELLOW SEAL 	PN 40	50 - 600	1432SO	GLOBE VALVES Y TYPE BOLTED BONNET 	PN16	15 - 600	1403
	PN 63	50 - 600	1560YSO		PN 25/40	15 - 600	1432
	PN 100	50 - 300	1570YSO		PN 63	15 - 600	1560Y
page 82				page 76	PN 100	15 - 300	1570Y
GLOBE VALVES Y TYPE PRESSURE SEAL 	PN 100	50 - 600	P182	GLOBE VALVES PRESSURE SEAL 	PN 100	50 - 600	P162
	PN 160	50 - 600	P183		PN 160	50 - 600	P163
	PN 250	50 - 600	P184		PN 250	50 - 600	P164
	PN 320	50 - 600	P185		PN 320	50 - 600	P165
	PN 420	50 - 600	P186		PN 420	50 - 600	P166
page 88				page 86			
				GLOBE VALVES CRYOGENIC 	PN 25/40	15 - 600	1430EB
					PN 63	15 - 600	1560EB
					PN 100	15 - 300	1570EB
				page 84			



standard features

- **Description** BOLTED BONNET
OUTSIDE SCREW AND YOKE
RISING STEM
RISING HANDWHEEL
LOOSE DISC
- **Design** DIN 3352
DIN 3840
- **Face to face** DIN 3202
- **Flanges** DIN 2501
DIN 2547
DIN 2526 FORM E
BW TO DIN 3239
- **Testing** DIN 3352 Part 1
DIN 3230 Part 3
- **Rating** DIN 2401
- **Marking** EN 19
CE - PED
- **Certificates** EN 10204 - 3.1 B

PART NAME	G1401 - (CAST IRON)	A1430-A1560 A1570-A1580	FK1430-FK1560-FK1570-FK1580
1 Body	EN-GJL 250	1.0619 (A)	1.4581
2 Bonnet	EN-GJL 250	1.0619 (B)	1.4581
3 Seat surface	X20Cr13 (1)	X20Cr13 (1) overlay	X5CrNiMo17-12-2 (1)
4 Disc seat surface	X20Cr13 (1)	X20Cr13 (1)	X5CrNiMo17-12-2 (1)
5 Stem	X20Cr13 (2)	X20Cr13 (2)	X5CrNiMo17-12-2 (2)
6 Back seat (integral)	EN-GJL 250	1.0619 (B)	1.4581
7 Gland	1.0460	1.0460	X5CrNiMo17-12-2
8 Yoke sleeve	N/A	MS58 (3)	MS58 (3)
9 Handwheel	Steel	Steel	Steel
10 Plate	1.0460	1.0460	1.0460
11 Handwheel nut	1.0460	1.0460	X5CrNiMo17-12-2
12 Bolts	CK35	CK35	A2-70
13 Nuts	C35	C35	A2-70
14 Eye bolts	CK35	CK35	A2-70
15 Nuts	C35	C35	A2-70
16 Eye bolt pin	CK35	CK35	A2-70
17 Gasket	S. S. reinforced graphite (4)	S. S. reinforced graphite (4)	S. S. reinforced graphite (4)
18 Packing	Graphite rings & wiper rings (4)	Graphite rings & wiper rings (4)	Graphite rings & wiper rings (4)

(1) On request: faced with Stellite® - Monel® - Hastelloy® - other materials

(2) On request: 17 Cr - Monel® - Hastelloy® - other materials

(3) On request: GGG50

(4) On request: PTFE - other materials

(A) For PN ≤ 40 and DN ≤ 50 = 1.0460

For PN ≥ 63 and DN ≤ 25 = 1.0460

(B) For PN ≤ 40 and DN ≤ 80 = 1.0460

For PN ≥ 63 and DN ≤ 40 = 1.0460

All data, subject to technical changes, are only for information and not for official use.

GLOBE VALVES - BOLTED BONNET DIN PN 16 - 25 - 40 - 63 - 100 - 160

VALVOSIDER
MANUFACTURER OF VALVES

FIG. 1401 - GLOBE VALVES BOLTED BONNET DIN PN 16 - CAST IRON - F1

SIZE DN	15	20	25	32	40	50	65	80	100	125	150	175	200	250	300	350	400	450	500	600
L RF	130	150	160	180	200	230	290	310	350	400	480	550	600	730	850	980	1100	1200	1250	1450
D	95	105	115	140	150	165	185	200	220	250	285	315	340	405	460	520	580	640	715	840
V	100	100	125	125	150	150	200	200	225	225	300	300	400	500	500	600	600	700	700	800
H	160	165	190	200	225	260	280	320	375	415	460	550	570	750	900	1040	1290	1400	1600	
H1	164	170	197	208	235	273	297	340	400	447	498	594	620	813	975	1128	1390	1513	1725	

FIG.1430 - GLOBE VALVES BOLTED BONNET DIN PN 25 / 40 - F1

SIZE DN	15	20	25	32	40	50	65	80	100	125	150	175	200	250	300	350	400	450	500	600
L RF/BW	130	150	160	180	200	230	290	310	350	400	480	550	600	730	850	980	1100	1200	1250	1450
D - PN25	95	105	115	140	150	165	185	200	235	270	300	330	360	425	485	555	620	670	730	845
D - PN40	95	105	115	140	150	165	185	200	235	270	300	350	375	450	515	580	660	685	755	890
V	100	100	125	125	150	200	200	200	250	250	500	500	600	600	700	700	700	700	700	800
H	160	165	190	200	225	260	280	320	375	415	460	550	570	750	900	1040	1290	1400	1600	--
H1	164	170	197	208	235	273	297	340	400	447	498	594	620	813	975	1128	1390	1513	1725	--

FIG. 1560 - GLOBE VALVES BOLTED BONNET DIN PN 63 - F2

SIZE DN	15	20	25	32	40	50	65	80	100	125	150	175	200	250	300	350	400	500	600	--
L RF/BW	210	230	230	260	260	300	340	380	430	500	550	600	650	775	900	1025	1150	1400	1600	--
D	105	130	140	155	170	180	205	215	250	295	345	375	415	470	530	600	670	800	930	--
V	200	200	200	225	225	250	300	400	400	500	600	600	600	700	700	800	800	1000	1200	--
H	250	310	310	330	350	380	410	460	490	550	610	700	750	800	930	--	--	--	--	--
H1	254	315	317	338	360	393	427	480	515	582	648	744	800	863	1005	--	--	--	--	--

FIG. 1570 - GLOBE VALVES BOLTED BONNET DIN PN 100 - F2

SIZE DN	15	20	25	32	40	50	65	80	100	125	150	175	200	250	300	--	--	--	--	--
L RF/BW	210	230	230	260	260	300	340	380	430	500	550	600	650	775	900	--	--	--	--	--
D	105	130	140	155	170	195	220	230	265	315	355	385	430	505	585	--	--	--	--	--
V	200	200	200	225	225	250	300	400	400	500	700	700	700	700	700	--	--	--	--	--
H	250	310	310	330	350	400	480	510	580	600	630	720	780	830	970	--	--	--	--	--
H1	254	315	317	338	360	413	497	530	605	632	668	764	830	893	1045	--	--	--	--	--

FIG. 1580 - GLOBE VALVES BOLTED BONNET DIN PN 160 - F2

SIZE DN	15	20	25	32	40	50	65	80	100	125	150	175	200	250	300	--	--	--	--	--
L RF/BW	210	230	230	260	260	300	340	380	430	500	550	600	650	775	900	--	--	--	--	--
D	105	130	140	155	170	195	220	230	265	315	355	385	430	505	585	--	--	--	--	--
V	200	200	200	250	250	250	400	500	600	600	700	700	700	700	800	--	--	--	--	--
H	250	310	310	355	355	400	--	--	--	--	--	--	--	--	--	--	--	--	--	--
H1	254	315	317	363	365	413	--	--	--	--	--	--	--	--	--	--	--	--	--	--

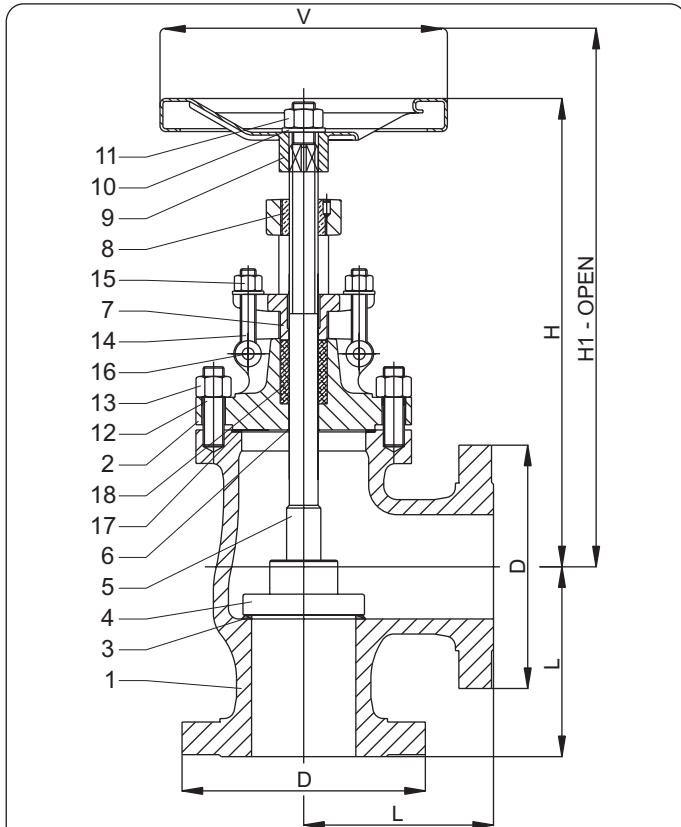
features on request

- | | |
|---|--|
| <input type="checkbox"/> TOP FLANGE TO ISO 5210 | <input type="checkbox"/> PTFE SOFT SEATS |
| <input type="checkbox"/> GEAR OPERATOR | <input type="checkbox"/> STEM PROTECTION / EXTENSION |
| <input type="checkbox"/> CHAIN WHEEL OPERATOR | <input type="checkbox"/> REGULATING DISC |
| <input type="checkbox"/> PNEUMATIC ACTUATOR | <input type="checkbox"/> DOUBLE STAGE DISC |
| <input type="checkbox"/> HYDRAULIC ACTUATOR | <input type="checkbox"/> STOP CHECK DISC |
| <input type="checkbox"/> ELECTRIC ACTUATOR | <input type="checkbox"/> LIVE LOADED PACKING |
| <input type="checkbox"/> POSITION INDICATOR | <input type="checkbox"/> DRAIN PLUG |
| <input type="checkbox"/> LIMIT SWITCHES | <input type="checkbox"/> BW ENDS |
| <input type="checkbox"/> LOCKING / INTERLOCK SYSTEM | <input type="checkbox"/> ANSI CONNECTIONS |

All dimensions in mm (except where differently indicated)

All data, subject to technical changes, are only for information and not for official use.

VALVOSIDER s.r.l. - Via S. Rocco, 2 - P.O. BOX 76 - 13011 Borgosesia (VC) - Italy
Phone: +39016322991 - Fax: +39016321537 - www.valvosider.com - e-mail: valvo@valvosider.com



Maximum pressure under the disc

DN	80	100	125	150	200	250	300	350	400	450	500	600
Δp bar	85	60	35	21	14	9	6	5	4	3	2,8	2,2

If higher, valve to be mounted with gear operator or with pressure above the disc and fitted with external or internal bypass.

standard features

- **Description** BOLTED BONNET
OUTSIDE SCREW AND YOKE
RISING STEM
RISING HANDWHEEL
LOOSE DISC
- **Design** DIN 3352
DIN 3840
- **Face to face** DIN 3202
- **Flanges** DIN 2501
DIN 2547
DIN 2526 FORM E
BW TO DIN 3239
- **Testing** DIN 3352 Part 1
DIN 3230 Part 3
- **Rating** DIN 2401
- **Marking** EN 19
CE - PED
- **Certificates** EN 10204 – 3.1 B

PART NAME	G1410 - (CAST IRON)	A1440 - A1560A - A1570A	FK1440 - FK1560A - FK1570A
1 Body	EN-GJL 250	1.0619 (A)	1.4581
2 Bonnet	EN-GJL 250	1.0619 (B)	1.4581
3 Seat surface	X20Cr13 (1)	X20Cr13 (1) overlay	X5CrNiMo17-12-2 (1)
4 Disc seat surface	X20Cr13 (1)	X20Cr13 (1)	X5CrNiMo17-12-2 (1)
5 Stem	X20Cr13 (2)	X20Cr13 (2)	X5CrNiMo17-12-2 (2)
6 Back seat (integral)	EN-GJL 250	1.0619 (B)	1.4581
7 Gland	1.0460	1.0460	X5CrNiMo17-12-2
8 Yoke sleeve	N/A	MS58 (3)	MS58 (3)
9 Handwheel	Steel	Steel	Steel
10 Plate	1.0460	1.0460	1.0460
11 Handwheel nut	1.0460	1.0460	X5CrNiMo17-12-2
12 Bolts	CK35	CK35	A2-70
13 Nuts	C35	C35	A2-70
14 Eye bolts	CK35	CK35	A2-70
15 Nuts	C35	C35	A2-70
16 Eye bolt pin	CK35	CK35	A2-70
17 Gasket	S. S. reinforced graphite (4)	S. S. reinforced graphite (4)	S. S. reinforced graphite (4)
18 Packing	Graphite rings & wiper rings (4)	Graphite rings & wiper rings (4)	Graphite rings & wiper rings (4)

(1) On request: faced with Stellite® - Monel® - Hastelloy® - other materials

(2) On request: 17 Cr - Monel® - Hastelloy® - other materials

(3) On request: GGG50

(4) On request: PTFE - other materials

(A) For PN ≤ 40 and DN ≤ 50 = 1.0460
For PN ≥ 63 and DN ≤ 25 = 1.0460

(B) For PN ≤ 40 and DN ≤ 80 = 1.0460
For PN ≥ 63 and DN ≤ 40 = 1.0460

All data, subject to technical changes, are only for information and not for official use.

GLOBE VALVES - 90° ANGLE DIN PN 16 - 25 - 40 - 63 - 100

VALVOSIDER
MANUFACTURER OF VALVES

FIG. 1410 - GLOBE VALVES - 90° ANGLE - DIN PN 16 - CAST IRON - F32

SIZE DN	15	20	25	32	40	50	65	80	100	125	150	175	200	250	300	350	400	450	500	600
L RF	90	95	100	105	115	125	145	155	175	200	225	250	275	325	375	425	475	500	575	675
D	95	105	115	140	150	165	185	200	220	250	285	315	340	405	460	520	580	640	715	840
V	100	100	125	125	150	150	200	200	225	225	300	300	400	500	500	600	600	700	700	800
H	160	165	190	200	225	260	280	320	375	415	460	550	570	750	900	1040	1290	1400	1600	
H1	164	170	197	208	235	273	297	340	400	447	498	594	620	813	975	1128	1390	1513	1725	

FIG. 1440 - GLOBE VALVES - 90° ANGLE - DIN PN 25 / 40 - F32

SIZE DN	15	20	25	32	40	50	65	80	100	125	150	175	200	250	300	350	400	450	500	600
L RF/BW	90	95	100	105	115	125	145	155	175	200	225	250	275	325	375	425	475	500	575	675
D - PN25	95	105	115	140	150	165	185	200	235	270	300	330	360	425	485	555	620	670	730	845
D - PN40	95	105	115	140	150	165	185	200	235	270	300	350	375	450	515	580	660	685	755	890
V	100	100	125	125	150	200	200	200	250	250	500	500	600	600	700	700	700	700	700	800
H	160	165	190	200	225	260	280	320	375	415	460	550	570	750	900	1040	1290	1400	1600	--
H1	164	170	197	208	235	273	297	340	400	447	498	594	620	813	975	1128	1390	1513	1725	--

FIG. 1560A - GLOBE VALVES - 90° ANGLE - DIN PN 63 - F33

SIZE DN	15	20	25	32	40	50	65	80	100	125	150	175	200	250	300	350	400	500	600	--
L RF/BW	105	105	115	130	130	150	170	190	215	250	275	300	325	390	450	515	575	700	--	--
D	105	130	140	155	170	180	205	215	250	295	345	375	415	470	530	600	670	800	930	--
V	200	200	200	220	220	250	225	400	400	500	600	600	600	700	700	800	800	1000	1200	--
H	250	310	310	330	350	380	410	460	490	550	610	700	750	800	930	--	--	--	--	--
H1	254	315	317	338	360	393	427	480	515	582	648	744	800	863	1005	--	--	--	--	--

FIG. 1570A - GLOBE VALVES - 90° ANGLE - DIN PN100 - F33

SIZE DN	15	20	25	32	40	50	65	80	100	125	150	175	200	250	300	--	--	--	--	--
L RF/BW	105	105	115	130	130	150	170	190	215	250	275	300	325	390	450	--	--	--	--	--
D	105	130	140	155	170	195	220	230	265	315	355	385	430	505	585	--	--	--	--	--
V	200	200	200	225	225	250	300	400	400	500	700	700	700	700	700	--	--	--	--	--
H	250	310	310	330	350	400	480	510	580	600	630	720	780	830	970	--	--	--	--	--
H1	254	315	317	338	360	413	497	530	605	632	668	764	830	893	1045	--	--	--	--	--

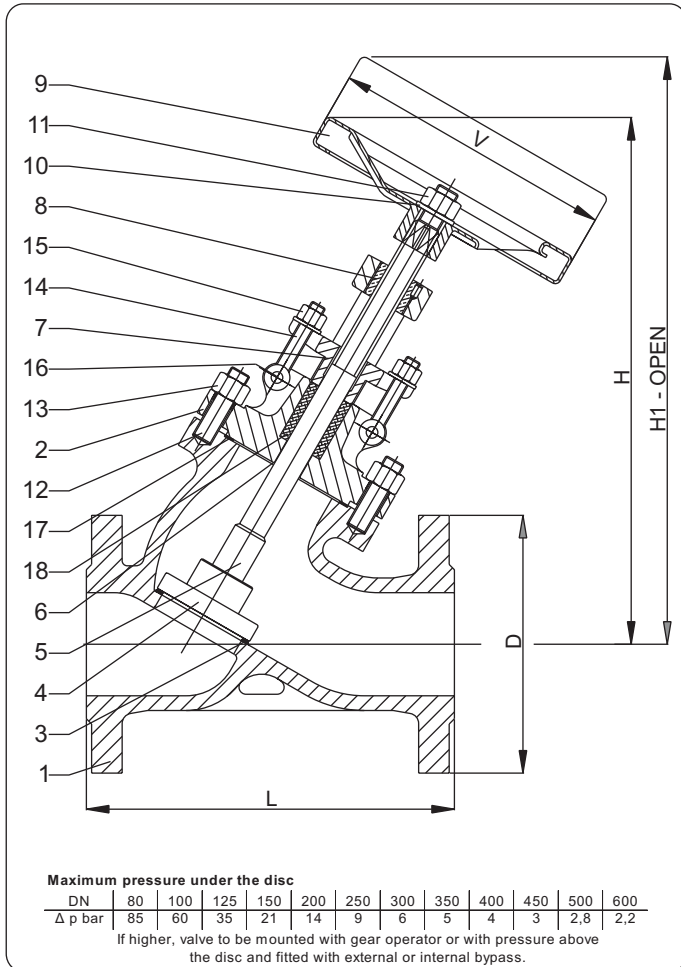
features on request

- | | |
|---|--|
| <input type="checkbox"/> TOP FLANGE TO ISO 5210 | <input type="checkbox"/> PTFE SOFT SEATS |
| <input type="checkbox"/> GEAR OPERATOR | <input type="checkbox"/> STEM PROTECTION / EXTENSION |
| <input type="checkbox"/> CHAIN WHEEL OPERATOR | <input type="checkbox"/> REGULATING DISC |
| <input type="checkbox"/> PNEUMATIC ACTUATOR | <input type="checkbox"/> DOUBLE STAGE DISC |
| <input type="checkbox"/> HYDRAULIC ACTUATOR | <input type="checkbox"/> STOP CHECK DISC |
| <input type="checkbox"/> ELECTRIC ACTUATOR | <input type="checkbox"/> LIVE LOADED PACKING |
| <input type="checkbox"/> POSITION INDICATOR | <input type="checkbox"/> DRAIN PLUG |
| <input type="checkbox"/> LIMIT SWITCHES | <input type="checkbox"/> BW ENDS |
| <input type="checkbox"/> LOCKING / INTERLOCK SYSTEM | <input type="checkbox"/> ANSI CONNECTIONS |

All dimensions in mm (except where differently indicated)

All data, subject to technical changes, are only for information and not for official use.

VALVOSIDER s.r.l. - Via S. Rocco, 2 - P.O. BOX 76 - 13011 Borgosesia (VC) - Italy
Phone: +39016322991 - Fax: +39016321537 - www.valvosider.com - e-mail: valvo@valvosider.com



standard features

- **Description** BOLTED BONNET
OUTSIDE SCREW AND YOKE
RISING STEM
RISING HANDWHEEL
LOOSE DISC
- **Design** DIN 3352
DIN 3840
- **Face to face** DIN 3202
- **Flanges** DIN 2501
DIN 2547
DIN 2526 FORM E
BW TO DIN 3239
- **Testing** DIN 3352 Part 1
DIN 3230 Part 3
- **Rating** DIN 2401
- **Marking** EN 19
CE - PED
- **Certificates** EN 10204 – 3.1 B

PART NAME	G1403 - (CAST IRON)	A1432 - A1560Y - A1570Y	FK1432 - FK1560Y - FK1570Y
1 Body	EN-GJL 250	1.0619 (A)	1.4581
2 Bonnet	EN-GJL 250	1.0619 (B)	1.4581
3 Seat surface	X20Cr13 (1)	X20Cr13 (1) overlay	X5CrNiMo17-12-2 (1)
4 Disc seat surface	X20Cr13 (1)	X20Cr13 (1)	X5CrNiMo17-12-2 (1)
5 Stem	X20Cr13 (2)	X20Cr13 (2)	X5CrNiMo17-12-2 (2)
6 Back seat (integral)	EN-GJL 250	1.0619 (B)	1.4581
7 Gland	1.0460	1.0460	X5CrNiMo17-12-2
8 Yoke sleeve	N/A	MS58 (3)	MS58 (3)
9 Handwheel	Steel	Steel	Steel
10 Plate	1.0460	1.0460	1.0460
11 Handwheel nut	1.0460	1.0460	X5CrNiMo17-12-2
12 Bolts	CK35	CK35	A2-70
13 Nuts	C35	C35	A2-70
14 Eye bolts	CK35	CK35	A2-70
15 Nuts	C35	C35	A2-70
16 Eye bolt pin	CK35	CK35	A2-70
17 Gasket	S. S. reinforced graphite (4)	S. S. reinforced graphite (4)	S. S. reinforced graphite (4)
18 Packing	Graphite rings & wiper rings (4)	Graphite rings & wiper rings (4)	Graphite rings & wiper rings (4)

(1) On request: faced with Stellite® - Monel® - Hastelloy® - other materials

(2) On request: 17 Cr - Monel® - Hastelloy® - other materials

(3) On request: GGG50

(4) On request: PTFE - other materials

(A) For PN < 40 and DN < 25 = 1.0460

For PN > 63 and DN < 25 = 1.0460

(B) For PN < 40 and DN < 80 = 1.0460

For PN > 63 and DN < 40 = 1.0460

All data, subject to technical changes, are only for information and not for official use.

GLOBE VALVES - 'Y' TYPE DIN PN 16 - 25 - 40 - 63 - 100

VALVOSIDER
MANUFACTURER OF VALVES

FIG. 1403 - GLOBE VALVES - Y TYPE - DIN PN 16 - CAST IRON - F1

SIZE DN	15	20	25	32	40	50	65	80	100	125	150	175	200	250	300	350	400	450	500	600
L RF	130	150	160	180	200	230	290	310	350	400	480	550	600	730	850	980	1100	1200	1250	1450
D	95	105	115	140	150	165	185	200	220	250	285	315	340	405	460	520	580	640	715	840
V	100	100	125	125	150	150	200	200	225	225	300	300	400	500	500	600	600	700	700	800
H	180	190	210	250	290	340	380	450	500	570	650	770	840	950	1100	1250	1500	1650	1850	
H1	184	195	217	258	300	353	397	470	525	602	688	814	890	1013	1175	1338	1600	1763	1975	

FIG. 1432 - GLOBE VALVES - Y TYPE - DIN PN 25 / 40 - F1

SIZE DN	15	20	25	32	40	50	65	80	100	125	150	175	200	250	300	350	400	450	500	600
L RF/BW	130	150	160	180	200	230	290	310	350	400	480	550	600	730	850	980	1100	1200	1250	1450
D - PN25	95	105	115	140	150	165	185	200	235	270	300	330	360	425	485	555	620	670	730	845
D - PN40	95	105	115	140	150	165	185	200	235	270	300	350	375	450	515	580	660	685	755	890
V	100	100	125	125	150	200	200	200	250	250	500	500	600	600	700	700	700	700	700	800
H	180	190	210	250	290	340	380	450	500	570	650	770	840	950	1100	1250	1500	1650	1850	--
H1	184	195	217	258	300	353	397	470	525	602	688	814	890	1013	1175	1338	1600	1763	1975	--

FIG. 1560Y - GLOBE VALVES - Y TYPE - DIN PN 63 - F2

SIZE DN	15	20	25	32	40	50	65	80	100	125	150	175	200	250	300	350	400	500	600	--
L RF/BW	210	230	230	260	260	300	340	380	430	500	550	600	650	775	900	1025	1150	1400	1600	--
D	105	130	140	155	170	180	205	215	250	295	345	375	415	470	530	600	670	800	930	--
V	200	200	200	220	220	250	225	400	400	500	600	600	600	700	700	800	800	1000	1200	--
H	272	338	332	385	422	468	520	603	628	721	819	942	1047	1020	1150	--	--	--	--	--
H1	276	343	339	393	432	481	537	623	653	753	857	986	1097	1083	1225	--	--	--	--	--

FIG. 1570Y - GLOBE VALVES - Y TYPE - DIN PN 100 - F2

SIZE DN	15	20	25	32	40	50	65	80	100	125	150	175	200	250	300	--	--	--	--	--
L RF/BW	210	230	230	260	260	300	340	380	430	500	550	600	650	775	900	--	--	--	--	--
D	105	130	140	155	170	195	220	230	265	315	355	385	430	505	585	--	--	--	--	--
V	200	200	200	225	225	250	300	400	400	500	700	700	700	700	700	--	--	--	--	--
H	275	341	335	391	430	497	601	668	732	789	860	987	1107	1072	1212	--	--	--	--	--
H1	279	346	342	399	440	510	618	688	757	821	898	1031	1157	1135	1287	--	--	--	--	--

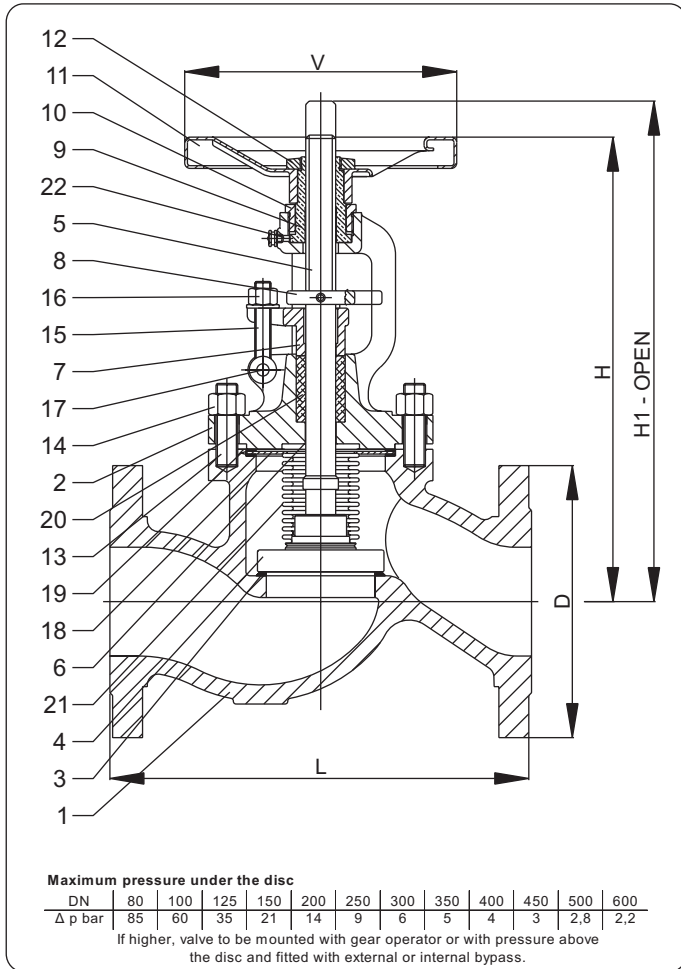
features on request

- | | |
|---|--|
| <input type="checkbox"/> TOP FLANGE TO ISO 5210 | <input type="checkbox"/> PTFE SOFT SEATS |
| <input type="checkbox"/> GEAR OPERATOR | <input type="checkbox"/> STEM PROTECTION / EXTENSION |
| <input type="checkbox"/> CHAIN WHEEL OPERATOR | <input type="checkbox"/> REGULATING DISC |
| <input type="checkbox"/> PNEUMATIC ACTUATOR | <input type="checkbox"/> DOUBLE STAGE DISC |
| <input type="checkbox"/> HYDRAULIC ACTUATOR | <input type="checkbox"/> STOP CHECK DISC |
| <input type="checkbox"/> ELECTRIC ACTUATOR | <input type="checkbox"/> LIVE LOADED PACKING |
| <input type="checkbox"/> POSITION INDICATOR | <input type="checkbox"/> DRAIN PLUG |
| <input type="checkbox"/> LIMIT SWITCHES | <input type="checkbox"/> BW ENDS |
| <input type="checkbox"/> LOCKING / INTERLOCK SYSTEM | <input type="checkbox"/> ANSI CONNECTIONS |

All dimensions in mm (except where differently indicated)

All data, subject to technical changes, are only for information and not for official use.

VALVOSIDER s.r.l. - Via S. Rocco, 2 - P.O. BOX 76 - 13011 Borgosesia (VC) - Italy
Phone: +39016322991 - Fax: +39016321537 - www.valvosider.com - e-mail: valvo@valvosider.com



standard features

- **Description** BOLTED BONNET
OUTSIDE SCREW AND YOKE
RISING STEM
NON RISING HANDWHEEL
- **Design** DIN 3352
DIN 3840
- **Face to face** DIN 3202
- **Flanges** DIN 2501
DIN 2547
DIN 2526 FORM E
BW TO DIN 3239
- **Testing** DIN 3352 Part 1
DIN 3230 Part 3
- **Rating** DIN 2401
- **Marking** EN 19
CE - PED
- **Certificates** EN 10204 – 3.1 B

PART NAME	S1800 - (NODULAR IRON)	A1670 - A1560SO - A1570SO	FK1670 - FK1560SO - FK1570SO
1 Body	EN-GJS-400-18-LT	1.0619 (A)	1.4581
2 Bonnet	EN-GJS-400-18-LT	1.0619 (B)	1.4581
3 Seat surface	X20Cr13 (1)	X20Cr13 (1) overlay	1.4581 (1)
4 Disc seat surface	X20Cr13 (1)	X20Cr13 (1)	X5CrNiMo17-12-2 (1)
5 Stem	X20Cr13 (2)	X20Cr13 (2)	X5CrNiMo17-12-2 (2)
6 Back seat (integral)	EN-GJS-400-18-LT	1.0619 (B)	1.4581
7 Gland	1.0460	1.0460	X5CrNiMo17-12-2
8 No rot. Device	X20Cr13	X20Cr13	X5CrNiMo17-12-2
9 Yoke sleeve	N/A	MS58 (3)	MS58 (3)
10 Yoke nut	1.0460	1.0460	X5CrNiMo17-12-2
11 Handwheel	Steel	Steel	Steel
12 Handwheel nut	1.0460	1.0460	X5CrNiMo17-12-2
13 Bolts	CK35	CK35	A2-70
14 Nuts	C35	C35	A2-70
15 Eye bolts	CK35	CK35	A2-70
16 Nuts	C35	C35	A2-70
17 Eye bolt pin	CK35	CK35	A2-70
18 Bellow flange	X6CrNiTi18-10	X6CrNiTi18-10	X6CrNiTi18-10
19 Gasket	S. S. reinforced graphite (4)	S. S. reinforced graphite (4)	S. S. reinforced graphite (4)
20 Packing	Graphite rings & wiper rings (4)	Graphite rings & wiper rings (4)	Graphite rings & wiper rings (4)
21 Bellow	X6CrNiTi18-10	X6CrNiTi18-10	X6CrNiTi18-10
22 Grease nipple	Steel	Steel	Steel

(1) On request: faced with Stellite® - Monei® - Hastelloy® - other materials

(2) On request: 17 Cr - Monei® - Hastelloy® - other materials

(3) On request: GGG50

(4) On request: PTFE - other materials

(A) For PN ≤ 40 and DN ≤ 50 = 1.0460

For PN ≥ 63 and DN ≤ 25 = 1.0460

(B) For PN ≤ 40 and DN ≤ 80 = 1.0460

For PN ≥ 63 and DN ≤ 40 = 1.0460

All data, subject to technical changes, are only for information and not for official use.

GLOBE VALVES BELLOW SEAL DIN PN 16 - 25 - 40 - 63 - 100

VALVOSIDER
MANUFACTURER OF VALVES

FIG. 1800 - GLOBE VALVES BELLOW SEAL - DIN PN 16 / 25 - NODULAR IRON - F1

SIZE DN	15	20	25	32	40	50	65	80	100	125	150	175	200	250	300	350	400	450	500	600
L RF	130	150	160	180	200	230	290	310	350	400	480	550	600	730	850	980	1100	1200	1250	1450
D	95	105	115	140	150	165	185	200	220	250	285	315	340	405	460	520	580	640	715	840
V	100	100	125	125	150	150	200	200	225	225	300	300	400	500	500	600	600	700	700	800
H	180	190	210	250	290	340	380	450	500	570	650	770	840	950	1100	1250	1500	1650	1850	--
H1	184	195	217	258	300	353	397	470	525	602	688	814	890	1013	1175	1338	1600	1763	1975	--

FIG. 1670 - GLOBE VALVES BELLOW SEAL - DIN PN 25 / 40 - F1

SIZE DN	15	20	25	32	40	50	65	80	100	125	150	175	200	250	300	350	400	450	500	600
L RF/BW	130	150	160	180	200	230	290	310	350	400	480	550	600	730	850	980	1100	1200	1250	1450
D - PN25	95	105	115	140	150	165	185	200	235	270	300	330	360	425	485	555	620	670	730	845
D - PN40	95	105	115	140	150	165	185	200	235	270	300	350	375	450	515	580	660	685	755	890
V	100	100	125	125	150	200	200	200	250	250	500	500	600	600	700	700	700	700	700	800
H	210	220	220	220	240	270	310	350	400	460	510	600	630	810	950	1100	1350	1460	1660	--
H1	214	225	227	228	250	283	327	370	425	492	548	594	680	813	925	1088	1300	1513	1725	--

FIG. 1560SO - GLOBE VALVES BELLOW SEAL - DIN PN 63 - F2

SIZE DN	15	20	25	32	40	50	65	80	100	125	150	175	200	250	300	350	400	500	600	--
L RF/BW	210	230	230	260	260	300	340	380	430	500	550	600	650	775	900	1025	1150	1400	1600	--
D	105	130	140	155	170	180	205	215	250	295	345	375	415	470	530	600	670	800	930	--
V	200	200	200	220	220	250	225	400	400	500	600	600	600	700	700	800	800	1000	1200	--
H	300	360	360	380	400	430	460	510	540	610	670	760	810	860	990	--	--	--	--	--
H1	304	365	367	388	410	443	477	530	565	642	708	804	860	923	1065	--	--	--	--	--

FIG. 1570SO - GLOBE VALVES BELLOW SEAL - DIN PN 100 - F2

SIZE DN	15	20	25	32	40	50	65	80	100	125	150	175	200	250	300	--	--	--	--	--
L RF/BW	210	230	230	260	260	300	340	380	430	500	550	600	650	775	900	--	--	--	--	--
D	105	130	140	155	170	195	220	230	265	315	355	385	430	505	585	--	--	--	--	--
V	200	200	200	225	225	250	300	400	400	500	700	700	700	700	700	--	--	--	--	--
H	300	360	360	380	400	450	530	560	630	660	690	780	840	890	1030	--	--	--	--	--
H1	304	365	367	388	410	463	547	580	655	692	728	824	890	953	1105	--	--	--	--	--

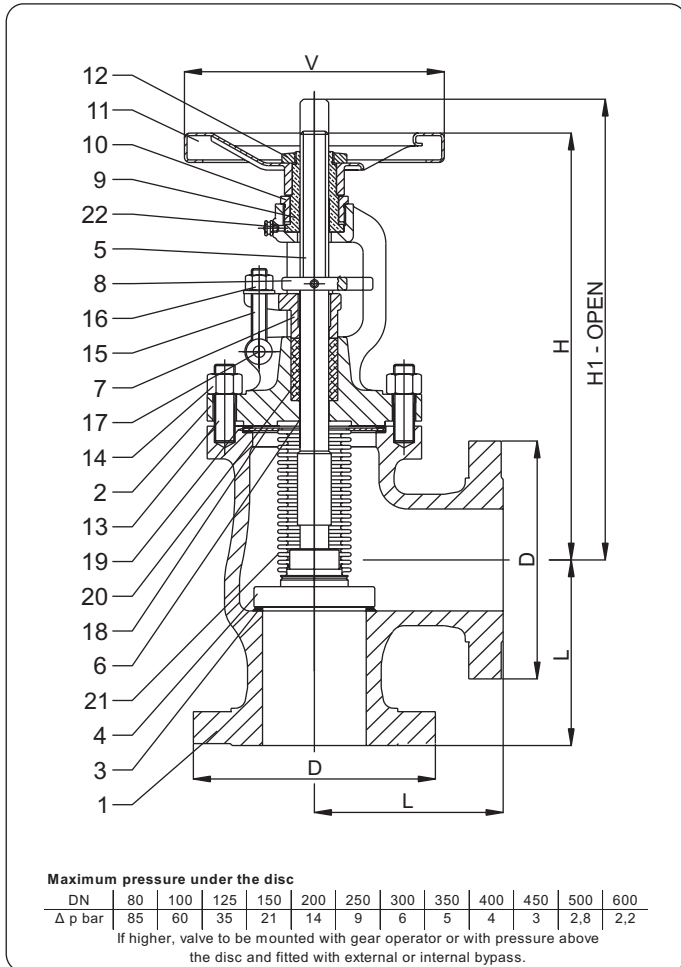
features on request

- | | |
|---|--|
| <input type="checkbox"/> TOP FLANGE TO ISO 5210 | <input type="checkbox"/> PTFE SOFT SEATS |
| <input type="checkbox"/> GEAR OPERATOR | <input type="checkbox"/> STEM PROTECTION / EXTENSION |
| <input type="checkbox"/> CHAIN WHEEL OPERATOR | <input type="checkbox"/> REGULATING DISC |
| <input type="checkbox"/> PNEUMATIC ACTUATOR | <input type="checkbox"/> DOUBLE STAGE DISC |
| <input type="checkbox"/> HYDRAULIC ACTUATOR | <input type="checkbox"/> STOP CHECK DISC |
| <input type="checkbox"/> ELECTRIC ACTUATOR | <input type="checkbox"/> LIVE LOADED PACKING |
| <input type="checkbox"/> POSITION INDICATOR | <input type="checkbox"/> DRAIN PLUG |
| <input type="checkbox"/> LIMIT SWITCHES | <input type="checkbox"/> BW ENDS |
| <input type="checkbox"/> LOCKING / INTERLOCK SYSTEM | <input type="checkbox"/> ANSI CONNECTIONS |

All dimensions in mm (except where differently indicated)

All data, subject to technical changes, are only for information and not for official use.

VALVOSIDER s.r.l. - Via S. Rocco, 2 - P.O. BOX 76 - 13011 Borgosesia (VC) - Italy
Phone: +39016322991 - Fax: +39016321537 - www.valvosider.com - e-mail: valvo@valvosider.com



standard features

- **Description** BOLTED BONNET
OUTSIDE SCREW AND YOKE
RISING STEM
NON RISING HANDWHEEL
- **Design** DIN 3352
DIN 3840
- **Face to face** DIN 3202
- **Flanges** DIN 2501
DIN 2547
DIN 2526 FORM E
BW TO DIN 3239
- **Testing** DIN 3352 Part 1
DIN 3230 Part 3
- **Rating** DIN 2401
- **Marking** EN 19
CE - PED
- **Certificates** EN 10204 – 3.1 B

PART NAME	S1810 - (NODULAR IRON)	A1680-A1560ASO-A1570ASO	FK1680-FK1560ASO-FK1570ASO
1 Body	EN-GJS-400-18-LT	1.0619 (A)	1.4581
2 Bonnet	EN-GJS-400-18-LT	1.0619 (B)	1.4581
3 Seat surface	X20Cr13 (1)	X20Cr13 (1) overlay	X5CrNiMo17-12-2 (1)
4 Disc seat surface	X20Cr13 (1)	X20Cr13 (1)	X5CrNiMo17-12-2 (1)
5 Stem	X20Cr13 (2)	X20Cr13 (2)	X5CrNiMo17-12-2 (2)
6 Back seat (integral)	EN-GJS-400-18-LT	1.0619 (B)	1.4581
7 Gland	1.0460	1.0460	X5CrNiMo17-12-2
8 No rot. Device	X20Cr13	X20Cr13	X5CrNiMo17-12-2
9 Yoke sleeve	N/A	MS58 (3)	MS58 (3)
10 Yoke nut	1.0460	1.0460	X5CrNiMo17-12-2
11 Handwheel	Steel	Steel	Steel
12 Handwheel nut	1.0460	1.0460	X5CrNiMo17-12-2
13 Bolts	CK35	CK35	A2-70
14 Nuts	C35	C35	A2-70
15 Eye bolts	CK35	CK35	A2-70
16 Nuts	C35	C35	A2-70
17 Eye bolt pin	CK35	CK35	A2-70
18 Bellow flange	X6CrNiTi18-10	X6CrNiTi18-10	X6CrNiTi18-10
19 Gasket	S. S. reinforced graphite (4)	S. S. reinforced graphite (4)	S. S. reinforced graphite (4)
20 Packing	Graphite rings & wiper rings (4)	Graphite rings & wiper rings (4)	Graphite rings & wiper rings (4)
21 Bellow	X6CrNiTi18-10	X6CrNiTi18-10	X6CrNiTi18-10
22 Grease nipple	Steel	Steel	Steel

- (1) On request: faced with Stellite® - Monel® - Hastelloy® - other materials
 (2) On request: 17 Cr - Monel® - Hastelloy® - other materials
 (3) On request: GGG50
 (4) On request: PTFE - other materials

- (A) For PN ≤ 40 and DN ≤ 50 = 1.0460
 For PN ≥ 63 and DN ≤ 25 = 1.0460
 (B) For PN ≤ 40 and DN ≤ 80 = 1.0460
 For PN ≥ 63 and DN ≤ 40 = 1.0460

All data, subject to technical changes, are only for information and not for official use.

GLOBE VALVES BELLOW SEAL - 90° ANGLE DIN PN 16 - 25 - 40 - 63 - 100

VALVOSIDER
MANUFACTURER OF VALVES

FIG. 1810 - GLOBE VALVES BELLOW SEAL - 90° ANGLE - DIN PN 16 / 25 - NODULAR IRON - F32

SIZE DN	15	20	25	32	40	50	65	80	100	125	150	175	200	250	300	350	400	450	500	600
L RF	90	95	100	105	115	125	145	155	175	200	225	250	275	325	375	425	475	500	575	675
D	95	105	115	140	150	165	185	200	220	250	285	315	340	405	460	520	580	640	715	840
V	100	100	125	125	150	150	200	200	225	225	300	300	400	500	500	600	600	700	700	800
H	180	190	210	250	290	340	380	450	500	570	650	770	840	950	1100	1250	1500	1650	1850	--
H1	184	195	217	258	300	353	397	470	525	602	688	814	890	1013	1175	1338	1600	1763	1975	--

FIG. 1680 - GLOBE VALVES BELLOW SEAL - 90° ANGLE - DIN PN 25 / 40 - F32

SIZE DN	15	20	25	32	40	50	65	80	100	125	150	175	200	250	300	350	400	450	500	600
L RF/BW	90	95	100	105	115	125	145	155	175	200	225	250	275	325	375	425	475	500	575	675
D - PN25	95	105	115	140	150	165	185	200	235	270	300	330	360	425	485	555	620	670	730	845
D - PN40	95	105	115	140	150	165	185	200	235	270	300	350	375	450	515	580	660	685	755	890
V	100	100	125	125	150	200	200	200	250	250	500	500	600	600	700	700	700	700	700	800
H	210	220	220	220	240	270	310	350	400	460	510	600	630	810	950	1100	1350	1460	1660	--
H1	214	225	227	228	250	283	327	370	425	492	548	594	680	813	925	1088	1300	1513	1725	--

FIG. 1560ASO - GLOBE VALVES BELLOW SEAL - 90° ANGLE - DIN PN 63 - F33

SIZE DN	15	20	25	32	40	50	65	80	100	125	150	175	200	250	300	350	400	500	600	--
L RF/BW	105	105	115	130	130	150	170	190	215	250	275	300	325	390	450	515	575	700	--	--
D	105	130	140	155	170	180	205	215	250	295	345	375	415	470	530	600	670	800	930	--
V	200	200	200	220	220	250	225	400	400	500	600	600	600	700	700	800	800	1000	1200	--
H	300	360	360	380	400	430	460	510	540	610	670	760	810	860	990	--	--	--	--	--
H1	304	365	367	388	410	443	477	530	565	642	708	804	860	923	1065	--	--	--	--	--

FIG. 1570ASO - GLOBE VALVES BELLOW SEAL - 90° ANGLE - DIN PN 100 - F33

SIZE DN	15	20	25	32	40	50	65	80	100	125	150	175	200	250	300	--	--	--	--	--
L RF/BW	105	105	115	130	130	150	170	190	215	250	275	300	325	390	450	--	--	--	--	--
D	105	130	140	155	170	195	220	230	265	315	355	385	430	505	585	--	--	--	--	--
V	200	200	200	225	225	250	300	400	400	500	700	700	700	700	700	--	--	--	--	--
H	300	360	360	380	400	450	530	560	630	660	690	780	840	890	1030	--	--	--	--	--
H1	304	365	367	388	410	463	547	580	655	692	728	824	890	953	1105	--	--	--	--	--

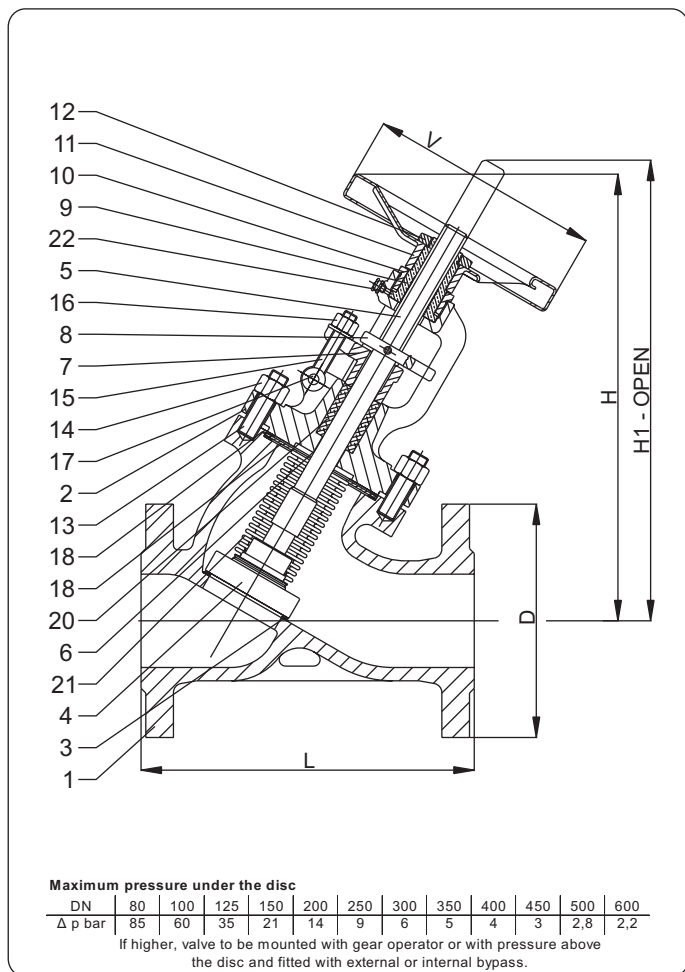
features on request

- | | |
|---|--|
| <input type="checkbox"/> TOP FLANGE TO ISO 5210 | <input type="checkbox"/> PTFE SOFT SEATS |
| <input type="checkbox"/> GEAR OPERATOR | <input type="checkbox"/> STEM PROTECTION / EXTENSION |
| <input type="checkbox"/> CHAIN WHEEL OPERATOR | <input type="checkbox"/> REGULATING DISC |
| <input type="checkbox"/> PNEUMATIC ACTUATOR | <input type="checkbox"/> DOUBLE STAGE DISC |
| <input type="checkbox"/> HYDRAULIC ACTUATOR | <input type="checkbox"/> STOP CHECK DISC |
| <input type="checkbox"/> ELECTRIC ACTUATOR | <input type="checkbox"/> LIVE LOADED PACKING |
| <input type="checkbox"/> POSITION INDICATOR | <input type="checkbox"/> DRAIN PLUG |
| <input type="checkbox"/> LIMIT SWITCHES | <input type="checkbox"/> BW ENDS |
| <input type="checkbox"/> LOCKING / INTERLOCK SYSTEM | <input type="checkbox"/> ANSI CONNECTIONS |

All dimensions in mm (except where differently indicated)

All data, subject to technical changes, are only for information and not for official use.

VALVOSIDER s.r.l. - Via S. Rocco, 2 - P.O. BOX 76 - 13011 Borgosesia (VC) - Italy
Phone: +39016322991 - Fax: +39016321537 - www.valvosider.com - e-mail: valvo@valvosider.com



standard features

- **Description** BOLTED BONNET
OUTSIDE SCREW AND YOKE
RISING STEM
NON RISING HANDWHEEL
- **Design** DIN 3352
DIN 3840
- **Face to face** DIN 3202
- **Flanges** DIN 2501
DIN 2547
DIN 2526 FORM E
BW TO DIN 3239
- **Testing** DIN 3352 Part 1
DIN 3230 Part 3
- **Rating** DIN 2401
- **Marking** EN 19
CE - PED
- **Certificates** EN 10204 – 3.1 B

PART NAME	A1432SO - A1560YSO - A1570YSO	FK1432SO - FK1560YSO - FK1570YSO
1 Body	1.0619 (A)	1.4581
2 Bonnet	1.0619 (B)	1.4581
3 Seat surface	X20Cr13 (1)	X5CrNiMo17-12-2 (1)
4 Disc seat surface	X20Cr13 (1)	X5CrNiMo17-12-2 (1)
5 Stem	X20Cr13 (2)	X5CrNiMo17-12-2 (2)
6 Back seat (integral)	1.0619 (B)	1.4581
7 Gland	1.0460	X5CrNiMo17-12-2
8 No rot. Device	X20Cr13	X5CrNiMo17-12-2
9 Yoke sleeve	MS58 (3)	MS58 (3)
10 Yoke nut	1.0460	X5CrNiMo17-12-2
11 Handwheel	Steel	Steel
12 Handwheel nut	1.0460	X5CrNiMo17-12-2
13 Bolts	CK35	A2-70
14 Nuts	C35	A2-70
15 Eye bolts	CK35	A2-70
16 Nuts	C35	A2-70
17 Eye bolt pin	CK35	A2-70
18 Bellow flange	X6CrNiTi18-10	X6CrNiTi18-10
19 Gasket	S. S. reinforced graphite (4)	S. S. reinforced graphite (4)
20 Packing	Graphite rings & wiper rings (4)	Graphite rings & wiper rings (4)
21 Bellow	X6CrNiTi18-10	X6CrNiTi18-10
22 Grease nipple	Steel	Steel

- (1) On request: faced with Stellite® - Monel® - Hastelloy® - other materials
 (2) On request: 17 Cr - Monel® - Hastelloy® - other materials
 (3) On request: GGG50
 (4) On request: PTFE - other materials

- (A) For PN ≤ 40 and DN ≤ 25 = 1.0460
 For PN ≥ 63 and DN ≤ 25 = 1.0460
 (B) For PN ≤ 40 and DN ≤ 80 = 1.0460
 For PN ≥ 63 and DN ≤ 40 = 1.0460

All data, subject to technical changes, are only for information and not for official use.

GLOBE VALVES BELLOW SEAL - 'Y' TYPE DIN PN 25 - 40 - 63 - 100

VALVOSIDER
MANUFACTURER OF VALVES

FIG. 1432SO - GLOBE VALVES BELLOW SEAL - Y TYPE - DIN PN 25 / 40 - F1

SIZE DN	15	20	25	32	40	50	65	80	100	125	150	175	200	250	300	350	400	450	500	600
L RF/BW	130	150	160	180	200	230	290	310	350	400	480	550	600	730	850	980	1100	1200	1250	1450
D - PN25	95	105	115	140	150	165	185	200	235	270	300	330	360	425	485	555	620	670	730	845
D - PN40	95	105	115	140	150	165	185	200	235	270	300	350	375	450	515	580	660	685	755	890
V	100	100	125	125	150	200	200	200	250	250	500	500	600	600	700	700	700	700	700	800
H	230	240	260	300	340	390	430	500	550	630	710	830	900	1010	1160	1310	1560	1710	1910	-
H1	234	245	267	308	350	403	447	520	575	662	748	874	950	1073	1235	1398	1660	1823	2035	-

FIG. 1560YSO - GLOBE VALVES BELLOW SEAL - Y TYPE - DIN PN 63 - F2

SIZE DN	15	20	25	32	40	50	65	80	100	125	150	175	200	250	300	350	400	500	600	--
L RF/BW	210	230	230	260	260	300	340	380	430	500	550	600	650	775	900	1025	1150	1400	1600	-
D	105	130	140	155	170	180	205	215	250	295	345	375	415	470	530	600	670	800	930	-
V	200	200	200	220	220	250	225	400	400	500	600	600	600	700	700	800	800	1000	1200	-
H	322	388	382	435	472	518	570	653	678	781	879	1002	1107	1080	1210	-	-	-	-	-
H1	326	393	389	443	482	531	587	673	703	813	917	1046	1157	1143	1285	-	-	-	-	-

FIG. 1570YSO - GLOBE VALVES BELLOW SEAL - Y TYPE - DIN PN 100 - F2

SIZE DN	15	20	25	32	40	50	65	80	100	125	150	175	200	250	300	--	--	--	--	--
L RF/BW	210	230	230	260	260	300	340	380	430	500	550	600	650	775	900	-	-	-	-	-
D	105	130	140	155	170	195	220	230	265	315	355	385	430	505	585	-	-	-	-	-
V	150	150	150	200	200	200	225	250	300	400	500	500	600	700	700	-	-	-	-	-
H	325	391	385	441	480	547	651	718	782	849	920	1047	1167	1132	1272	-	-	-	-	-
H1	329	396	392	449	490	560	668	738	807	881	958	1091	1217	1195	1347	-	-	-	-	-

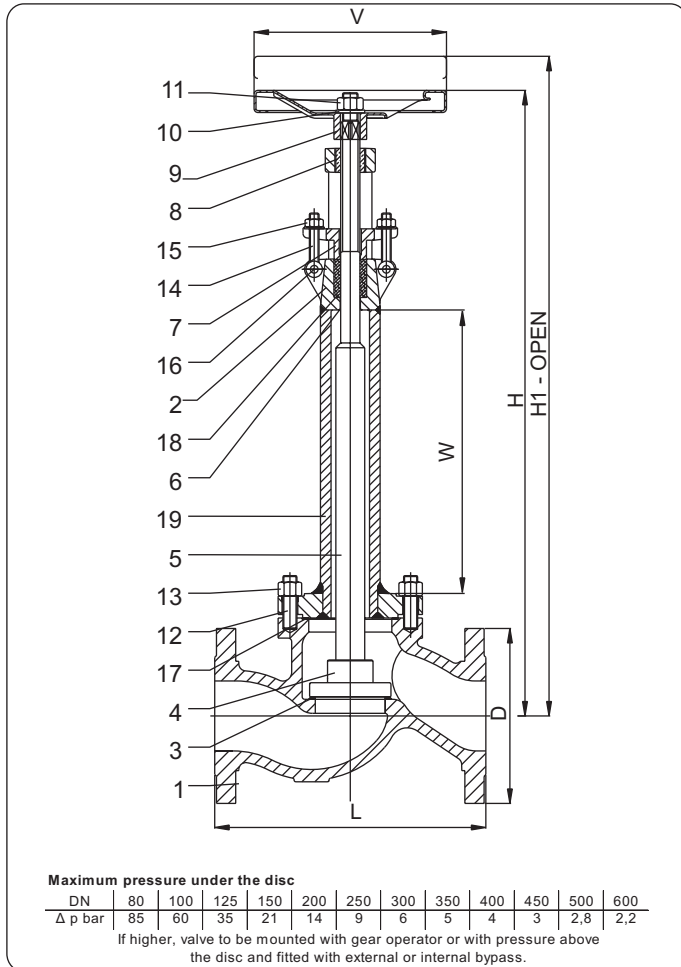
features on request

- | | |
|---|--|
| <input type="checkbox"/> TOP FLANGE TO ISO 5210 | <input type="checkbox"/> PTFE SOFT SEATS |
| <input type="checkbox"/> GEAR OPERATOR | <input type="checkbox"/> STEM PROTECTION / EXTENSION |
| <input type="checkbox"/> CHAIN WHEEL OPERATOR | <input type="checkbox"/> REGULATING DISC |
| <input type="checkbox"/> PNEUMATIC ACTUATOR | <input type="checkbox"/> DOUBLE STAGE DISC |
| <input type="checkbox"/> HYDRAULIC ACTUATOR | <input type="checkbox"/> STOP CHECK DISC |
| <input type="checkbox"/> ELECTRIC ACTUATOR | <input type="checkbox"/> LIVE LOADED PACKING |
| <input type="checkbox"/> POSITION INDICATOR | <input type="checkbox"/> DRAIN PLUG |
| <input type="checkbox"/> LIMIT SWITCHES | <input type="checkbox"/> BW ENDS |
| <input type="checkbox"/> LOCKING / INTERLOCK SYSTEM | <input type="checkbox"/> ANSI CONNECTIONS |

All dimensions in mm (except where differently indicated)

All data, subject to technical changes, are only for information and not for official use.

VALVOSIDER s.r.l. - Via S. Rocco, 2 - P.O. BOX 76 - 13011 Borgosesia (VC) - Italy
Phone: +39016322991 - Fax: +39016321537 - www.valvosider.com - e-mail: valvo@valvosider.com



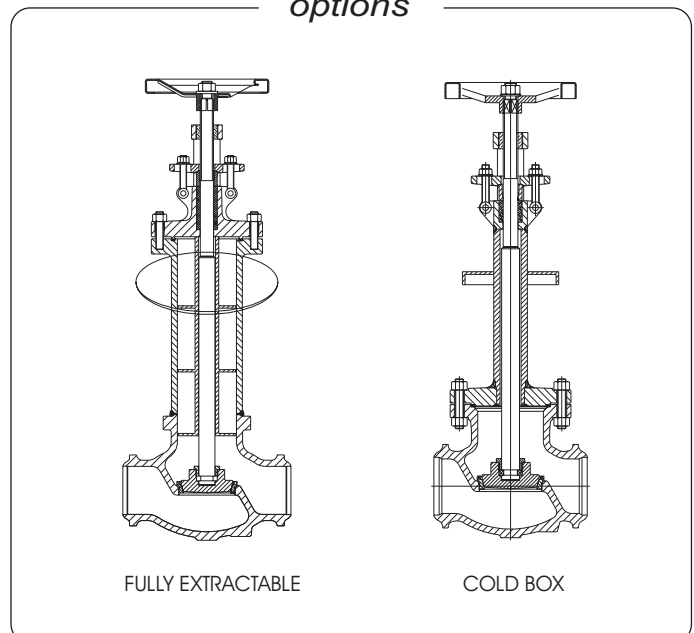
standard features

- **Description** BOLTED BONNET
EXTENDED BONNET
OUTSIDE SCREW AND YOKE
RISING STEM
RISING HANDWHEEL
LOOSING DISC
- **Design** DIN 3352
DIN 3840
- **Face to face** DIN 3202
- **Flanges** DIN 2501
DIN 2547
DIN 2526 FORM E
BW TO DIN 3239
- **Testing** DIN 3352 Part 1
DIN 3230 Part 3
- **Rating** DIN 2401
- **Marking** EN 19
CE - PED
- **Certificates** EN 10204 – 3.1 B

PART NAME	FH1430EB - FH1560EB - FH1570EB
1 Body	1.4552
2 Bonnet	1.4552
3 Seat (integral)	1.4552 (1)
4 Disc	X5CrNiMo17-12-2 (1)
5 Stem	X5CrNiMo17-12-2 (2)
6 Back seat (integral)	1.4552
7 Gland	X5CrNiMo17-12-2
8 Yoke sleeve	MS58 (3)
9 Handwheel	Steel
10 Plate	1.0460
11 Handwheel nut	X5CrNiMo17-12-2
12 Bolts	A2-70
13 Nuts	A2-70
14 Eye bolts	A2-70
15 Nuts	A2-70
16 Eye bolt pin	A2-70
17 Gasket	S. S. reinforced graphite (4)
18 Packing	Graphite rings & wiper rings (4)
19 Extension	X2CrNiMo17-12-2

(1) On request: faced with Stellite[®] - Monel[®] - Hastelloy[®] - other materials
 (2) On request: 17 Cr - Monel[®] - Hastelloy[®] - other materials

options



(3) On request: GGG50
 (4) On request: PTFE - other materials

All data, subject to technical changes, are only for information and not for official use.

GLOBE VALVES - CRYOGENIC DIN PN 25 - 40 - 63 - 100

VALVOSIDER
MANUFACTURER OF VALVES

FIG. 1430EB - CRYOGENIC GLOBE VALVES - DIN PN 25 / 40 - F1

SIZE DN	15	20	25	32	40	50	65	80	100	125	150	175	200	250	300	350	400	450	500	600
L RF/BW	130	150	160	180	200	230	290	310	350	400	480	550	600	730	850	980	1100	1200	1250	1450
D - PN25	95	105	115	140	150	165	185	200	235	270	300	330	360	425	485	555	620	670	730	845
D - PN40	95	105	115	140	150	165	185	200	235	270	300	350	375	450	515	580	660	685	755	890
V	100	100	125	125	150	200	200	200	250	250	500	500	600	600	700	700	700	700	700	800
W	200	200	200	200	200	200	200	300	300	300	300	300	300	300	300	300	300	300	300	300
H	565	570	595	605	630	665	685	825	880	920	1070	1160	1180	1360	1510	1650	1900	2010	2210	2750
H1	569	575	602	613	640	678	702	845	905	952	1108	1204	1230	1423	1585	1738	2000	2123	2335	--

FIG. 1560EB - CRYOGENIC GLOBE VALVES - DIN PN 63 - F2

SIZE DN	15	20	25	32	40	50	65	80	100	125	150	175	200	250	300	350	400	500	600	--
L RF/BW	210	230	230	260	260	300	340	380	430	500	550	600	650	775	900	1025	1150	1400	1600	--
D	105	130	140	155	170	180	205	215	250	295	345	375	415	470	530	600	670	800	930	--
V	200	200	200	220	220	250	225	400	400	500	600	600	600	700	700	800	800	1000	1200	--
W	200	200	200	200	200	200	200	300	300	300	300	300	300	300	300	300	300	300	300	--
H	655	715	715	735	755	785	815	965	995	1055	1220	1310	1360	1410	1540	--	--	--	--	--
H1	659	720	722	743	765	798	832	985	1020	1087	1258	1354	1410	1473	1615	--	--	--	--	--

FIG. 1570EB - CRYOGENIC GLOBE VALVES - DIN PN 100 - F2

SIZE DN	15	20	25	32	40	50	65	80	100	125	150	175	200	250	300	--	--	--	--	--
L RF/BW	210	230	230	260	260	300	340	380	430	500	550	600	650	775	900	--	--	--	--	--
D	105	130	140	155	170	195	220	230	265	315	355	385	430	505	585	--	--	--	--	--
V	200	200	200	225	225	250	300	400	400	500	700	700	700	700	700	--	--	--	--	--
W	200	200	200	200	200	200	200	300	300	300	300	300	300	300	300	--	--	--	--	--
H	655	715	715	735	755	805	885	1015	1085	1105	1240	1330	1390	1440	1580	--	--	--	--	--
H1	659	720	722	743	765	818	902	1035	1110	1137	1278	1374	1440	1503	1655	--	--	--	--	--

features on request

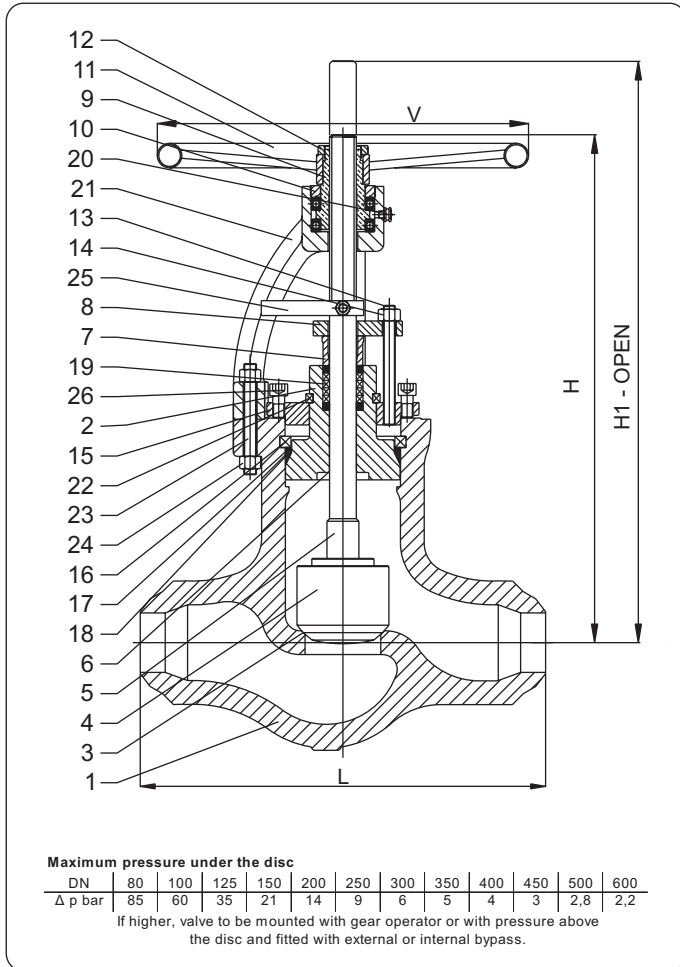
- | | |
|--|---|
| <ul style="list-style-type: none"> <input type="radio"/> TOP FLANGE TO ISO 5210 <input type="radio"/> GEAR OPERATOR <input type="radio"/> CHAIN WHEEL OPERATOR <input type="radio"/> PNEUMATIC ACTUATOR <input type="radio"/> HYDRAULIC ACTUATOR <input type="radio"/> ELECTRIC ACTUATOR <input type="radio"/> POSITION INDICATOR <input type="radio"/> LIMIT SWITCHES <input type="radio"/> LOCKING / INTERLOCK SYSTEM | <ul style="list-style-type: none"> <input type="radio"/> PTFE SOFT SEATS <input type="radio"/> STEM PROTECTION / EXTENSION <input type="radio"/> REGULATING DISC <input type="radio"/> DOUBLE STAGE DISC <input type="radio"/> STOP CHECK DISC <input type="radio"/> LIVE LOADED PACKING <input type="radio"/> DRAIN PLUG <input type="radio"/> BW ENDS <input type="radio"/> ANSI CONNECTIONS |
|--|---|

All dimensions in mm (except where differently indicated)

All data, subject to technical changes, are only for information and not for official use.

VALVOSIDER s.r.l. - Via S. Rocco, 2 - P.O. BOX 76 - 13011 Borgosesia (VC) - Italy
Phone: +39016322991 - Fax: +39016321537 - www.valvosider.com - e-mail: valvo@valvosider.com

standard features



- **Description** PRESSURE SEAL BONNET
OUTSIDE SCREW AND YOKE
RISING STEM
NON RISING HANDWHEEL
INTEGRAL BACKSEAT
WELDED IN SEATS
LOOSED DISC
- **Design** DIN 3352
DIN 3840
- **Face to face** DIN 3202
- **Flanges** DIN 2501
DIN 2547
DIN 2526 FORM E
BW TO DIN 3239
- **Testing** DIN 3352 Part 1
DIN 3230 Part 3
- **Rating** DIN 2401
- **Marking** EN 19
CE - PED
- **Certificates** EN 10204 – 3.1 B

PART NAME	AP16x	MP16x	WCP16x
1 Body	1.0619	1.7357	1.7380
2 Bonnet	1.0619	1.7357	1.7380
3 Ring - seat surface	1.0460 - HF (1)	1.0460 + HF (1)	1.0460 + HF (1)
4 Disc - seat surface	1.0619 - HF (1)	1.7357 + HF (1)	1.7380 + HF (1)
5 Stem	X20Cr13 (3)	X20Cr13 (3)	X20Cr13 (3)
6 Back seat (integral)	Overlay Stellite [®] (2)	Overlay Stellite [®] (2)	Overlay Stellite [®] (2)
7 Gland	X20Cr13	X20Cr13	X20Cr13
8 Gland flange	1.0460	X20Cr13	X20Cr13
9 Yoke sleeve	GGG50 (4)	GGG50 (4)	GGG50 (4)
10 Yoke nut	1.0460	1.0460	1.0460
11 Handwheel	Steel	Steel	Steel
12 Handwheel nut	1.0460	1.0460	1.0460
13 Bolts	CK35	21CrMoV57	21CrMoV57
14 Nuts	C35	24CrMo5	24CrMo5
15 Retainer flange	1.0460	1.0460	1.0460
16 Retainer ring	X20Cr13	X20Cr13	X20Cr13
17 Spacer ring	X20Cr13	X20Cr13	X20Cr13
18 Gasket	S. S. reinforced graphite (4)	S. S. reinforced graphite (4)	S. S. reinforced graphite (4)
19 Packing	Graphite rings and wiper rings	Graphite rings and wiper rings	Graphite rings and wiper rings
20 Grease nipple	Steel	Steel	Steel
21 Yoke	1.0619	1.7357	1.7380
22 Support ring	1.0460	X20Cr13	X20Cr13
23 Yoke / body bolt	CK35	21CrMoV57	21CrMoV57
24 Yoke / body nut	C35	24CrMo5	24CrMo5
25 No rotation device	C35	21CrMoV57	21CrMoV57
26 Bolt	CK35	21CrMoV57	21CrMoV57

(1) On request: faced with Stellite[®] - Monel[®] - Hastelloy[®] - other materials
 (2) On request: faced with Monel[®] - Hastelloy[®] - other materials
 (3) On request: 17 Cr - Monel[®] - Hastelloy[®] - other materials

(4) On request: Nodular Iron - Nitronic 60
 (5) On request: Metal

All data, subject to technical changes, are only for information and not for official use.

PRESSURE SEAL GLOBE VALVES DIN PN 100 - 160 - 250 - 320 - 420

VALVOSIDER
MANUFACTURER OF VALVES

FIG. P162 - PRESSURE SEAL GLOBE VALVES DIN PN 100 - F8

SIZE	50	65	80	100	125	150	200	250	300	350	400	500	600
L BW	300	360	390	450	525	600	750	900	1050	1200	1350	1650	--
V	200	200	250	300	400	G.O.	G.O.	G.O.	G.O.	G.O.	G.O.	G.O.	--
H	500	590	590	600	860	860	1000	1330	1480	--	--	--	--
H1	513	607	610	625	892	898	1050	1393	1555	--	--	--	--

FIG. P163 - PRESSURE SEAL GLOBE VALVES DIN PN 160 - F8

SIZE	50	65	80	100	125	150	200	250	300	350	400	500	600
L BW	300	360	390	450	525	600	750	900	1050	1200	1350	1650	--
V	250	300	300	400	500	G.O.	G.O.	G.O.	G.O.	G.O.	G.O.	G.O.	--
H	500	590	590	600	860	860	1000	1330	1480	--	--	--	--
H1	513	607	610	625	892	898	1050	1393	1555	--	--	--	--

FIG. P164 - PRESSURE SEAL GLOBE VALVES DIN PN 250 - F8

SIZE	50	65	80	100	125	150	200	250	300	350	400	500	600
L BW	300	360	390	450	525	600	750	900	1050	1200	1350	1650	--
V	300	400	400	G.O.	G.O.	G.O.	G.O.	G.O.	G.O.	G.O.	G.O.	G.O.	--
H	500	590	590	600	860	860	1000	1330	1480	--	--	--	--
H1	513	607	610	625	892	898	1050	1393	1555	--	--	--	--

FIG. P165 - PRESSURE SEAL GLOBE VALVES DIN PN 320 - F8

SIZE	50	65	80	100	125	150	200	250	300	350	400	500	600
L BW	300	360	390	450	525	600	750	900	1050	1200	1350	1650	--
V	300	400	400	G.O.	G.O.	G.O.	G.O.	G.O.	G.O.	G.O.	G.O.	G.O.	--
H	500	590	590	600	860	860	1000	1330	1480	--	--	--	--
H1	513	607	610	625	892	898	1050	1393	1555	--	--	--	--

FIG. P166 - PRESSURE SEAL GLOBE VALVES DIN PN 420 - F8

SIZE	50	65	80	100	125	150	200	250	300	350	400	500	600
L BW	300	360	390	450	525	600	750	900	1050	1200	1350	1650	--
V	300	400	400	G.O.	G.O.	G.O.	G.O.	G.O.	G.O.	G.O.	G.O.	G.O.	--
H	500	590	590	600	860	860	1000	1330	1480	--	--	--	--
H1	513	607	610	625	892	898	1050	1393	1555	--	--	--	--

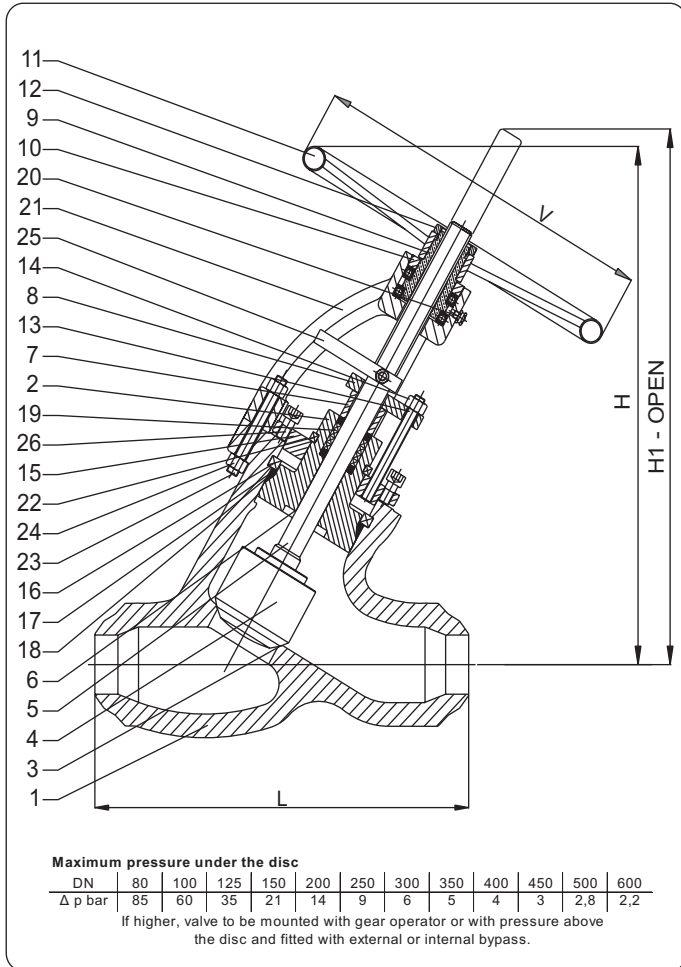
features on request

- | | |
|---|---|
| <ul style="list-style-type: none"> <input type="checkbox"/> TOP FLANGE TO ISO 5210 <input type="checkbox"/> GEAR OPERATOR <input type="checkbox"/> CHAIN WHEEL OPERATOR <input type="checkbox"/> PNEUMATIC ACTUATOR <input type="checkbox"/> HYDRAULIC ACTUATOR <input type="checkbox"/> ELECTRIC ACTUATOR <input type="checkbox"/> POSITION INDICATOR <input type="checkbox"/> LIMIT SWITCHES <input type="checkbox"/> LOCKING / INTERLOCK SYSTEM | <ul style="list-style-type: none"> <input type="checkbox"/> PTFE SOFT SEATS <input type="checkbox"/> STEM PROTECTION / EXTENSION <input type="checkbox"/> REGULATING DISC <input type="checkbox"/> DOUBLE STAGE DISC <input type="checkbox"/> STOP CHECK DISC <input type="checkbox"/> LIVE LOADED PACKING <input type="checkbox"/> DRAIN PLUG <input type="checkbox"/> FLANGED ENDS <input type="checkbox"/> ANSI CONNECTIONS |
|---|---|

All dimensions in mm (except where differently indicated)

All data, subject to technical changes, are only for information and not for official use.

VALVOSIDER s.r.l. - Via S. Rocco, 2 - P.O. BOX 76 - 13011 Borgosesia (VC) - Italy
Phone: +39016322991 - Fax: +39016321537 - www.valvosider.com - e-mail: valvo@valvosider.com



standard features

- **Description** PRESSURE SEAL BONNET
OUTSIDE SCREW AND YOKE
RISING STEM
NON RISING HANDWHEEL
INTEGRAL BACKSEAT
WELDED IN SEATS
LOOSED DISC
- **Design** DIN 3352
DIN 3840
- **Face to face** DIN 3202
- **Flanges** DIN 2501
DIN 2547
DIN 2526 FORM E
BW TO DIN 3239
- **Testing** DIN 3352 Part 1
DIN 3230 Part 3
- **Rating** DIN 2401
- **Marking** EN 19
CE - PED
- **Certificates** EN 10204 – 3.1 B

PART NAME	AP18x	WP18x	WCP18x
1 Body	1.0619	1.7357	1.7380
2 Bonnet	1.0619	1.7357	1.7380
3 Ring - seat surface	1.0460 - HF (1)	1.0460 + HF (1)	1.0460 + HF (1)
4 Disc - seat surface	1.0619 - HF (1)	1.7357 + HF (1)	1.7380 + HF (1)
5 Stem	X20Cr13 (3)	X20Cr13 (3)	X20Cr13 (3)
6 Back seat (integral)	Overlay Stellite [®] (2)	Overlay Stellite [®] (2)	Overlay Stellite [®] (2)
7 Gland	X20Cr13	X20Cr13	X20Cr13
8 Gland flange	1.0460	X20Cr13	X20Cr13
9 Yoke sleeve	GGG50 (4)	GGG50 (4)	GGG50 (4)
10 Yoke nut	1.0460	1.0460	1.0460
11 Handwheel	Steel	Steel	Steel
12 Handwheel nut	1.0460	1.0460	1.0460
13 Bolts	CK35	21CrMoV57	21CrMoV57
14 Nuts	C35	24CrMo5	24CrMo5
15 Retainer flange	1.0460	1.0460	1.0460
16 Retainer ring	X20Cr13	X20Cr13	X20Cr13
17 Spacer ring	X20Cr13	X20Cr13	X20Cr13
18 Gasket	S. S. reinforced graphite (4)	S. S. reinforced graphite (4)	S. S. reinforced graphite (4)
19 Packing	Graphite rings and wiper rings	Graphite rings and wiper rings	Graphite rings and wiper rings
20 Grease nipple	Steel	Steel	Steel
21 Yoke	1.0619	1.7357	1.7380
22 Support ring	1.0460	1.0460	1.0460
23 Yoke / body bolt	CK35	21CrMoV57	21CrMoV57
24 Yoke / body nut	C35	24CrMo5	24CrMo5
25 No rotation device	C35	21CrMoV57	21CrMoV57
26 Bolt	CK35	21CrMoV57	21CrMoV57

(1) On request: faced with Stellite[®] - Monel[®] - Hastelloy[®] - other materials
 (2) On request: faced with Monel[®] - Hastelloy[®] - other materials
 (3) On request: 17 Cr - Monel[®] - Hastelloy[®] - other materials

(4) On request: Nodular Iron - Nitronic 60
 (5) On request: Metal

All data, subject to technical changes, are only for information and not for official use.

PRESSURE SEAL GLOBE VALVES - 'Y' TYPE

DIN PN 100 - 160 - 250 - 320 - 420

VALVOSIDER
MANUFACTURER OF VALVES

FIG. P182 - PRESSURE SEAL GLOBE VALVES - Y TYPE - DIN PN 100 - F8

SIZE	50	65	80	100	125	150	200	250	300	350	400	500	600
L BW	300	360	390	450	525	600	750	900	1050	1200	1350	1650	--
V	200	200	250	300	400	G.O.	G.O.	G.O.	G.O.	G.O.	G.O.	G.O.	--
H	500	590	590	600	860	860	1000	1330	1480	--	--	--	--
H1	513	607	610	625	892	898	1050	1393	1555	--	--	--	--

FIG. P183 - PRESSURE SEAL GLOBE VALVES - Y TYPE - DIN PN 160 - F8

SIZE	50	65	80	100	125	150	200	250	300	350	400	500	600
L BW	300	360	390	450	525	600	750	900	1050	1200	1350	1650	--
V	250	300	300	400	500	G.O.	G.O.	G.O.	G.O.	G.O.	G.O.	G.O.	--
H	500	590	590	600	860	860	1000	1330	1480	--	--	--	--
H1	513	607	610	625	892	898	1050	1393	1555	--	--	--	--

FIG. P184 - PRESSURE SEAL GLOBE VALVES - Y TYPE - DIN PN 250 - F8

SIZE	50	65	80	100	125	150	200	250	300	350	400	500	600
L BW	300	360	390	450	525	600	750	900	1050	1200	1350	1650	--
V	300	400	400	G.O.	G.O.	G.O.	G.O.	G.O.	G.O.	G.O.	G.O.	G.O.	--
H	500	590	590	600	860	860	1000	1330	1480	--	--	--	--
H1	513	607	610	625	892	898	1050	1393	1555	--	--	--	--

FIG. P185 - PRESSURE SEAL GLOBE VALVES - Y TYPE - DIN PN 320 - F8

SIZE	50	65	80	100	125	150	200	250	300	350	400	500	600
L BW	300	360	390	450	525	600	750	900	1050	1200	1350	1650	--
V	300	400	400	G.O.	G.O.	G.O.	G.O.	G.O.	G.O.	G.O.	G.O.	G.O.	--
H	500	590	590	600	860	860	1000	1330	1480	--	--	--	--
H1	513	607	610	625	892	898	1050	1393	1555	--	--	--	--

FIG. P186 - PRESSURE SEAL GLOBE VALVES - Y TYPE - DIN PN 420 - F8

SIZE	50	65	80	100	125	150	200	250	300	350	400	500	600
L BW	300	360	390	450	525	600	750	900	1050	1200	1350	1650	--
V	300	400	400	G.O.	G.O.	G.O.	G.O.	G.O.	G.O.	G.O.	G.O.	G.O.	--
H	500	590	590	600	860	860	1000	1330	1480	--	--	--	--
H1	513	607	610	625	892	898	1050	1393	1555	--	--	--	--

features on request

- | | |
|---|---|
| <ul style="list-style-type: none"> <input type="checkbox"/> TOP FLANGE TO ISO 5210 <input type="checkbox"/> GEAR OPERATOR <input type="checkbox"/> CHAIN WHEEL OPERATOR <input type="checkbox"/> PNEUMATIC ACTUATOR <input type="checkbox"/> HYDRAULIC ACTUATOR <input type="checkbox"/> ELECTRIC ACTUATOR <input type="checkbox"/> POSITION INDICATOR <input type="checkbox"/> LIMIT SWITCHES <input type="checkbox"/> LOCKING / INTERLOCK SYSTEM | <ul style="list-style-type: none"> <input type="checkbox"/> PTFE SOFT SEATS <input type="checkbox"/> STEM PROTECTION / EXTENSION <input type="checkbox"/> REGULATING DISC <input type="checkbox"/> DOUBLE STAGE DISC <input type="checkbox"/> STOP CHECK DISC <input type="checkbox"/> LIVE LOADED PACKING <input type="checkbox"/> DRAIN PLUG <input type="checkbox"/> FLANGED ENDS <input type="checkbox"/> ANSI CONNECTIONS |
|---|---|

All dimensions in mm (except where differently indicated)

All data, subject to technical changes, are only for information and not for official use.

VALVOSIDER s.r.l. - Via S. Rocco, 2 - P.O. BOX 76 - 13011 Borgosesia (VC) - Italy
Phone: +39016322991 - Fax: +39016321537 - www.valvosider.com - e-mail: valvo@valvosider.com