

standard features

- **Description** BOLTED BONNET
OUTSIDE SCREW AND YOKE
RISING STEM
NON RISING HANDWHEEL
PARALLEL DISC
- **Design** API 600
BS 1414
ASME B16.34
ISO 10434
- **Face to face** ASME B16.10
- **Flanges** ASME B16.5 (2" ÷ 24")
ASME B16.47 (≥ 26")
BW TO ASME B16.25
- **Testing** API 598
EN 12266
- **Rating** ASME B16.34
- **Marking** MSS-SP 25
CE - PED
- **Certificates** EN 10204 – 3.1 / 3.2

PART NAME	W45xSP	L45xSP	M45xSP	C45xSP	B45xSP	E45xSP	D45xSP	F45xSP	H45xSP
1 Body	WCB	LCB	WC6	C5	C12	CF8	CF8C	CF8M	CF3M
2 Bonnet	WCB	LCB	WC6	C5	C12	CF8	CF8C	CF8M	CF3M
11 Seat ring surface	A105 (1)	A105 (1)	A105 (1)	A105 (1)	A105 (1)	F304 (1)	F321 (1)	F316 (1)	F316L (1)
12 Wedge seat surfaces	F6A (2)	F6A (2)	F6A (2)	F6A (2)	F6A (2)	F304 (2)	F321 (2)	F316 (2)	F316L (2)
15 Stem	F6A (3)	F6A (3)	F6A (3)	F6A (3)	F6A (3)	F304 (3)	F321 (3)	F316 (3)	F316L (3)
16 Back seat	F6A (3)	F6A (3)	F6A (3)	F6A (3)	F6A (3)	F304 (3)	F321 (3)	F316 (3)	F316L (3)
17 Gland	F6A (3)	F6A (3)	F6A (3)	F6A (3)	F6A (3)	F304 (3)	F321 (3)	F316 (3)	F316L (3)
18 Gland flange	A105	F316	F316	F316	F316	F316	F316	F316	F316L
19 Yoke sleeve	B148 9A (4)	B148 9A (4)	Nod.Iron	Nod.Iron	Nod.Iron	B148 9A (4)	B148 9A (4)	B148 9A (4)	B148 9A (4)
20 Yoke nut	A105	A350 LF2	A105	A105	A105	F316	F316	F316	F316
21 Handwheel					Steel				
22 Handwheel nut					A105				
51 Bolts	B7	L7	B16	B16	B16	B8	B8	B8	B8
52 Nuts	2H	G7	G7	G7	G7	G8	G8	G8	G8
53 Eye bolts	B7	L7	B16	B16	B16	B8	B8	B8	B8
54 Nuts	2H	G7	G7	G7	G7	G8	G8	G8	G8
55 Eye bolt pin	B7	L7	B16	B16	B16	B8	B8	B8	B8
81 Gasket (5)	ANSI 150: S.S. reinforced graphite - ANSI 300-600-900-1500: S.S. Spiral wound reinf. graphite/RTJ - ANSI 2500: RTJ								
82 Packing						Graphite rings & wiper rings (6)			
23 Grease nipple					A105				

(1) On request: faced with Stellite® - Monel® - Hastelloy® - other materials
 (2) On request: faced with Stellite® - Monel® - Hastelloy® - other materials
 (3) On request: 17 Cr - Monel® - Hastelloy® - other materials

(4) On request: Nodular Iron - Nitronic 60
 (5) On request: PTFE - other materials
 (6) On request: PTFE - other materials

All data, subject to technical changes, are only for information and not for official use.

FIG. N. 452SP- GATE VALVES PARALLEL SLIDE ASME CLASS 600

SIZE	2"	2½"	3"	4"	5"	6"	8"	10"	12"	14"	16"	18"	20"	24"	28"	30"	32"	34"	36"	40"	42"	48"
L RF/BW	292	330	356	432	508	559	660	787	838	889	991	1092	1194	1397	1549	1651	1778	1930	2082	2286	--	--
L RTJ	295	333	359	435	511	562	663	791	841	892	994	1095	1200	1407	1562	1664	1794	1946	2099	--	--	--
D	165	191	210	273	330	356	420	508	559	603	686	743	813	940	1073	1130	1194	1245	1314	1321	--	--
V	200	250	250	400	400	500	600	700	700	800	900	1000	1600	G.O.	G.O.	G.O.	G.O.	G.O.	G.O.	G.O.	--	--
H	450	500	540	670	686	810	970	1155	1330	1480	1680	1826	1930	2160	2390	2880	2950	3030	3090	3620	--	--
H1	500	570	620	770	810	960	1170	1410	1630	1830	2100	2280	2450	2800	3137	3680	3803	3937	4050	4687	--	--

FIG. N. 453SP- GATE VALVES PARALLEL SLIDE ASME CLASS 900

SIZE	2"	3"	4"	6"	8"	10"	12"	14"	16"	18"	20"	24"	28"
L RF/BW	368	381	457	610	737	838	965	1029	1130	1219	1321	1549	--
L RTJ	371	384	460	613	740	841	968	1038	1140	1232	1334	1568	--
D	216	241	292	381	470	546	610	641	705	787	857	1041	--
V	250	300	400	600	650	700	900	1000	G.O.	G.O.	G.O.	G.O.	--
H	450	600	670	890	1114	1255	1439	1585	1639	1835	1970	2230	--
H1	500	680	770	1050	1320	1520	1750	1950	2050	2300	2500	2850	--

FIG. N. 454SP- GATE VALVES PARALLEL SLIDE ASME CLASS 1500

SIZE	2"	3"	4"	6"	8"	10"	12"	14"	16"	18"	20"	24"	28"
L RF/BW	368	470	546	705	832	991	1130	1257	1384	1537	1664	1943	--
L RTJ	371	473	549	711	842	1000	1146	1276	1407	1559	1686	1972	--
D	216	267	311	394	483	584	673	749	826	914	984	1168	--
V	250	400	500	600	700	900	1600	1600	G.O.	G.O.	G.O.	G.O.	--
H	450	620	760	930	1148	1336	1454	1645	1815	1835	1970	2230	--
H1	500	700	870	1090	1360	1520	1750	1950	2050	2300	2500	2850	--

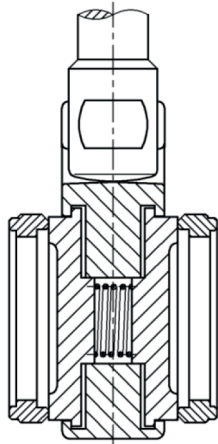
FIG. N. 455SP- GATE VALVES PARALLEL SLIDE ASME CLASS 2500

SIZE	2"	3"	4"	6"	8"	10"	12"	14"	16"	18"	20"	24"	28"
L RF/BW	451	578	673	914	1022	1270	1422	--	--	--	--	--	--
L RTJ	454	584	683	927	1038	1292	1445	--	--	--	--	--	--
D	235	305	356	483	552	673	762	--	--	--	--	--	--
V	250	400	500	600	700	G.O.	G.O.	--	--	--	--	--	--
H	450	620	760	930	1148	1255	1439	--	--	--	--	--	--
H1	500	700	870	1090	1360	1520	1750	--	--	--	--	--	--

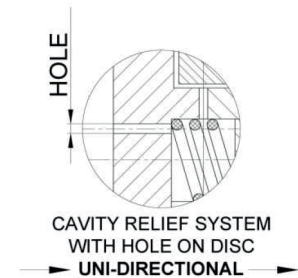
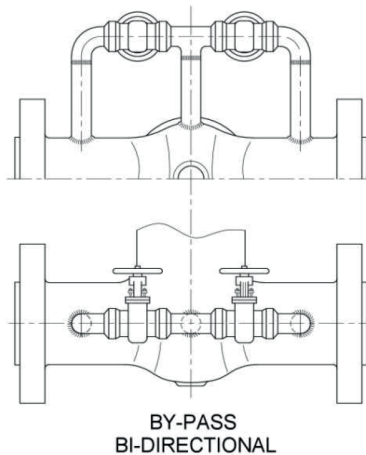
features on request

- TOP FLANGE TO ISO 5210
- GEAR OPERATOR
- CHAIN WHEEL OPERATOR
- PNEUMATIC ACTUATOR
- HYDRAULIC ACTUATOR
- ELECTRIC ACTUATOR
- POSITION INDICATOR
- LIMIT SWITCHES
- LOCKING / INTERLOCK SYSTEM
- PTFE SOFT SEATS
- STEM PROTECTION
- STEM EXTENSION
- LANTERN RING
- EXTENDED STUFFING BOX
- LIVE LOADED PACKING
- DRAIN PLUG
- BY PASS
- BW ENDS
- DIN CONNECTIONS

PARALLEL DISC



BY-PASS & RELIEF SYSTEM SCHEMES (EXAMPLE)



All dimensions in mm (except where differently indicated)

All data, subject to technical changes, are only for information and not for official use.