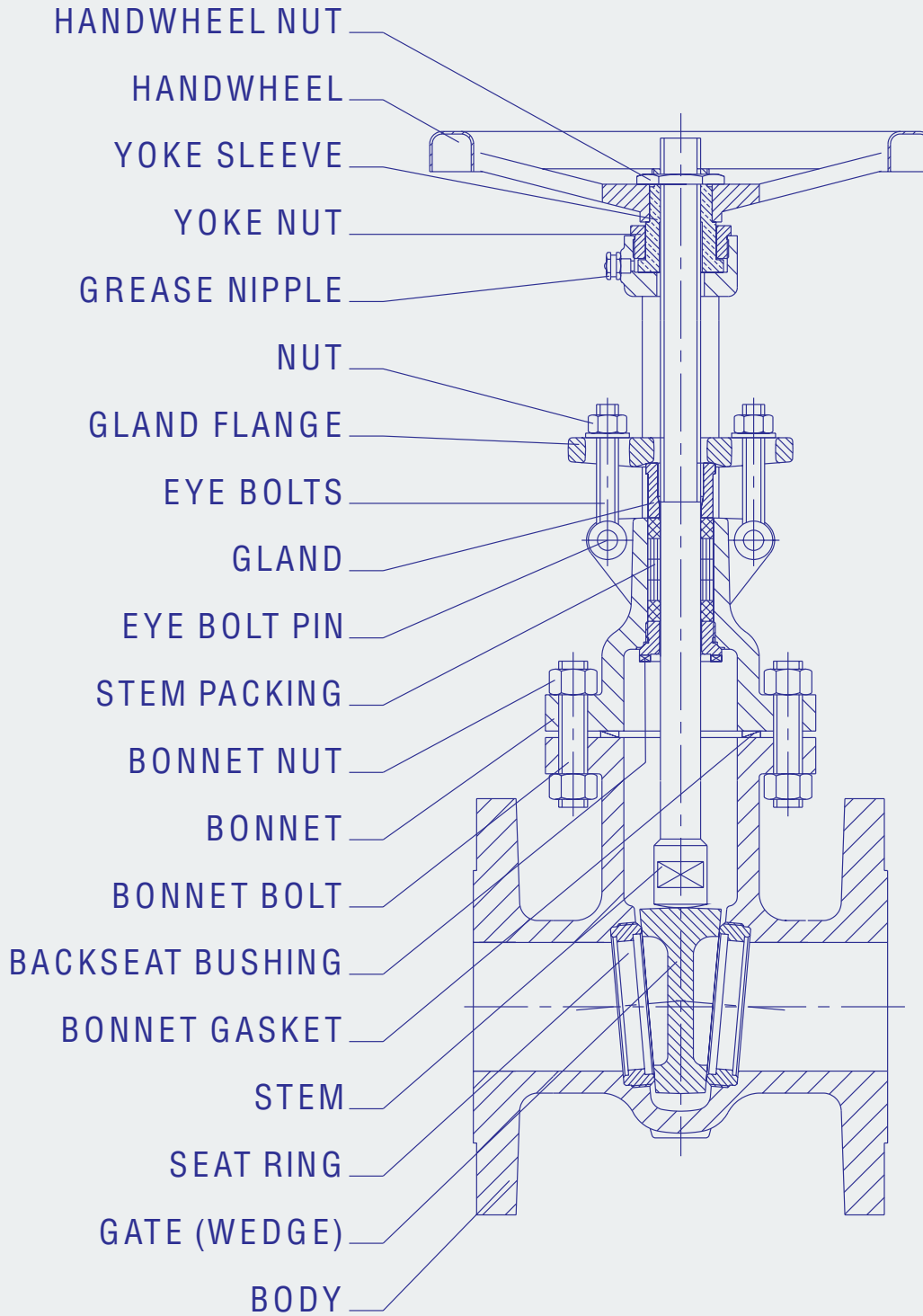
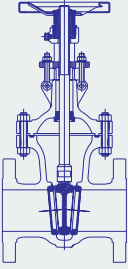
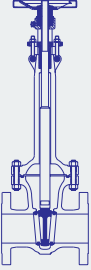
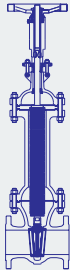
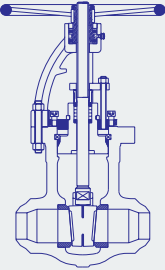
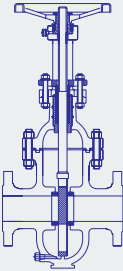
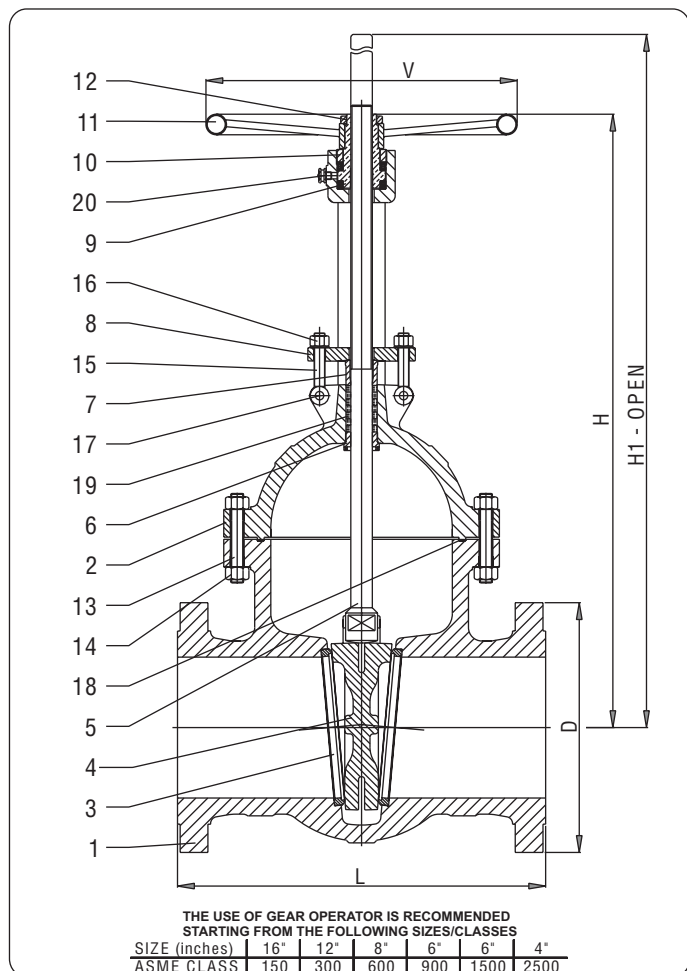


DESCRIPTION OF A TYPICAL GATE VALVE



	TYPE	CLASS	SIZES	FIG. N
	<p>GATE VALVES BOLTED BONNET</p>	150	2" - 48"	450
		300	2" - 48"	451
		600	2" - 40"	452
		900	2" - 24"	453
		1500	2" - 24"	454
		2500	2" - 12"	455
page 8				
	<p>GATE VALVES CRYOGENIC EXTENDED BONNET</p>	150	2" - 40"	450EB
		300	2" - 40"	451EB
		600	2" - 24"	452EB
		900	2" - 24"	453EB
		1500	2" - 24"	454EB
page 10				
	<p>GATE VALVES BELLOW SEAL</p>	150	2" - 24"	450SO
		300	2" - 24"	451SO
		600	2" - 24"	452SO
		900	2" - 16"	453SO
		1500	2" - 16"	454SO
page 12				
	<p>GATE VALVES PRESSURE SEAL</p>	600	2" - 24"	P52
		900	2" - 24"	P53
		1500	2" - 24"	P54
		2500	2" - 24"	P55
page 14				
	<p>GATE VALVES THROUGH CONDUIT</p>	150	3" - 40"	T50
		300	3" - 40"	T51
		600	3" - 40"	T52
		900	3" - 24"	T53
		1500	3" - 24"	T54
page 16				



standard features

- **Description** BOLTED BONNET
OUTSIDE SCREW AND YOKE
RISING STEM
NON RISING HANDWHEEL
RENEWABLE SEATS
- **Design** API 600
BS 1414
- **Face to face** ASME B16.10
- **Flanges** ASME B16.5 FROM 2" TO 24"
ASME B16.47 FROM 26"
BW TO ASME B16.25
- **Testing** API 598
API 6D
BS 6755
- **Rating** ASME B16.34
- **Marking** MSS-SP 25
CE - PED
- **Certificates** EN 10204 - 3.1 B

PART NAME	W45x	L45x	M45x	C45x	B45x	E45x	D45x	F45x	H45x
1 Body	WCB	LCB	WC6	C5	C12	CF8	CF8C	CF8M	CF3M
2 Bonnet	WCB	LCB	WC6	C5	C12	CF8	CF8C	CF8M	CF3M
3 Seat ring surface	F6A (1)	F6A (1)	F6A (1)	F6A (1)	F6A (1)	F304 (1)	F321 (1)	F316 (1)	F316L (1)
4 Wedge seat surfaces	F6A (2)	F6A (2)	F6A (2)	F6A (2)	F6A (2)	F304 (2)	F321 (2)	F316 (2)	F316L (2)
5 Stem	F6A (3)	F6A (3)	F6A (3)	F6A (3)	F6A (3)	F304 (3)	F321 (3)	F316 (3)	F316L (3)
6 Back seat	F6A (3)	F6A (3)	F6A (3)	F6A (3)	F6A (3)	F304 (3)	F321 (3)	F316 (3)	F316L (3)
7 Gland	F6A (3)	F6A (3)	F6A (3)	F6A (3)	F6A (3)	F304 (3)	F321 (3)	F316 (3)	F316L (3)
8 Gland flange	A105	F316	F316	F316	F316	F316	F316	F316	F316L
9 Yoke sleeve	B148 9A (4)	B148 9A (4)	Nod.Iron	Nod.Iron	Nod.Iron	B148 9A (4)	B148 9A (4)	B148 9A (4)	B148 9A (4)
10 Yoke nut	A105	A350 LF2	A105	A105	A105	F316	F316	F316	F316
11 Handwheel			← Steel →						
12 Handwheel nut			← A105 →						
13 Bolts	B7	L7	B16	B16	B16	B8	B8	B8	B8
14 Nuts	2H	G4	G4	G4	G4	G8	G8	G8	G8
15 Eye bolts	B7	B7	B8	B8	B8	B8	B8	B8	B8
16 Nuts	2H	2H	2H	2H	2H	G8	G8	G8	G8
17 Eye bolt pin	B7	B7	B7	B7	B7	B8	B8	B8	B8
18 Gasket (5)	ANSI 150: S.S. reinforced graphite - ANSI 300-600-900-1500: S.S. Spiral wound reinf. graphite/RTJ - ANSI 2500: RTJ								
19 Packing			← Graphite rings & wiper rings (6) →						
20 Grease nipple			← A105 →						

(1) On request: faced with Stellite® - Monel® - Hastelloy® - other materials
 (2) On request: faced with Stellite® - Monel® - Hastelloy® - other materials
 (3) On request: 17 Cr - Monel® - Hastelloy® - other materials

(4) On request: Nodular Iron - Nitronic 60
 (5) On request: PTFE - other materials
 (6) On request: PTFE - other materials

All data, subject to technical changes, are only for information and not for official use.

GATE VALVES

ASME 150 - 300 - 600 - 900 - 1500 - 2500

VALVOSIDER
MANUFACTURER OF VALVES

FIG. N. 450 - GATE VALVES OVAL BODY ASME CLASS 150

SIZE	2"	2½"	3"	4"	5"	6"	8"	10"	12"	14"	16"	18"	20"	24"	28"	30"	32"	34"	36"	40"	42"	48"
L RF	178	191	203	229	254	267	292	330	356	381	406	432	457	508	610	610	660	711	711	762	787	864
L BW	216	241	282	305	381	403	419	457	502	571	610	660	711	813	914	914	965	1016	1016	1168	1397	1270
D	152	178	191	229	254	279	343	406	483	533	597	635	699	813	927	984	1060	1111	1168	1289	1346	1511
V	200	200	225	250	250	300	400	500	500	600	600	700	700	800	G.O.	G.O.	G.O.	G.O.	G.O.	G.O.	G.O.	G.O.
H	350	420	440	480	560	600	775	1050	1240	1300	1500	1650	1800	2200	2600	2600	2600	3000	3000	3200	3200	3500
H1	400	480	510	580	695	750	980	1300	1540	1650	1900	2100	2300	2800	3350	3400	3450	3900	3950	4200	4250	4500

FIG. N. 451 - GATE VALVES ASME CLASS 300

SIZE	2"	2½"	3"	4"	5"	6"	8"	10"	12"	14"	16"	18"	20"	24"	28"	30"	32"	34"	36"	40"	42"	48"
L RF/BW	216	241	282	305	381	403	419	457	502	762	838	914	991	1143	1346	1397	1524	1626	1727	1930	1981	2235
L RTJ	232	257	298	321	397	419	435	473	518	778	854	930	1010	1165	1371	1422	1552	1654	1755	--	--	--
D	165	191	210	254	279	318	381	445	521	584	648	711	775	914	1035	1092	1149	1207	1270	1238	1289	1467
V	200	200	225	250	300	400	500	500	600	600	700	700	800	900	G.O.	G.O.	G.O.	G.O.	G.O.	G.O.	G.O.	G.O.
H	400	430	500	530	620	730	910	1110	1240	1400	1580	1700	1900	2150	2530	3000	3000	3360	3360	3890	3890	4330
H1	450	490	580	630	745	880	1110	1360	1540	1750	1980	2150	2400	2750	3350	3850	3900	4300	3950	4950	5110	5280

FIG. N. 452 - GATE VALVES ASME CLASS 600

SIZE	2"	2½"	3"	4"	5"	6"	8"	10"	12"	14"	16"	18"	20"	24"	28"	30"	32"	34"	36"	40"	42"	48"
L RF/BW	292	330	356	432	508	559	660	787	838	889	991	1092	1194	1397	1549	1651	1778	1930	2082	2286	--	--
L RTJ	295	333	359	435	511	562	663	791	841	892	994	1095	1200	1407	1562	1664	1794	1946	2099	--	--	--
D	165	191	210	273	330	356	420	508	559	603	686	743	813	940	1073	1130	1194	1245	1314	1321	--	--
V	200	250	250	400	400	500	600	700	700	800	900	1000	1600	G.O.	G.O.	G.O.	G.O.	G.O.	G.O.	G.O.	--	--
H	450	500	540	670	686	810	970	1155	1330	1480	1680	1826	1930	2160	2390	2880	2950	3030	3090	3620	--	--
H1	500	570	620	770	810	960	1170	1410	1630	1830	2100	2280	2450	2800	3137	3680	3803	3937	4050	4687	--	--

FIG. N. 453 - GATE VALVES ASME CLASS 900

SIZE	2"	3"	4"	6"	8"	10"	12"	14"	16"	18"	20"	24"	28"
L RF/BW	368	381	457	610	737	838	965	1029	1130	1219	1321	1549	--
L RTJ	371	384	460	613	740	841	968	1038	1140	1232	1334	1568	--
D	216	241	292	381	470	546	610	641	705	787	857	1041	--
V	250	300	400	600	650	700	900	1000	G.O.	G.O.	G.O.	G.O.	--
H	450	600	670	890	1114	1255	1439	1585	1639	1835	1970	2230	--
H1	500	680	770	1050	1320	1520	1750	1950	2050	2300	2500	2850	--

FIG. N. 454 - GATE VALVES ASME CLASS 1500

SIZE	2"	3"	4"	6"	8"	10"	12"	14"	16"	18"	20"	24"	28"
L RF/BW	368	470	546	705	832	991	1130	1257	1384	1537	1664	1943	--
L RTJ	371	473	549	711	842	1000	1146	1276	1407	1559	1686	1972	--
D	216	267	311	394	483	584	673	749	826	914	984	1168	--
V	250	400	500	600	700	900	1600	1600	G.O.	G.O.	G.O.	G.O.	--
H	450	620	760	930	1148	1336	1454	1645	1815	1835	1970	2230	--
H1	500	700	870	1090	1360	1520	1750	1950	2050	2300	2500	2850	--

FIG. N. 455 - GATE VALVES ASME CLASS 2500

SIZE	2"	3"	4"	6"	8"	10"	12"	14"	16"	18"	20"	24"	28"
L RF/BW	451	578	673	914	1022	1270	1422	--	--	--	--	--	--
L RTJ	454	584	683	927	1038	1292	1445	--	--	--	--	--	--
D	235	305	356	483	552	673	762	--	--	--	--	--	--
V	250	400	500	600	700	G.O.	G.O.	--	--	--	--	--	--
H	450	620	760	930	1148	1255	1439	--	--	--	--	--	--
H1	500	700	870	1090	1360	1520	1750	--	--	--	--	--	--

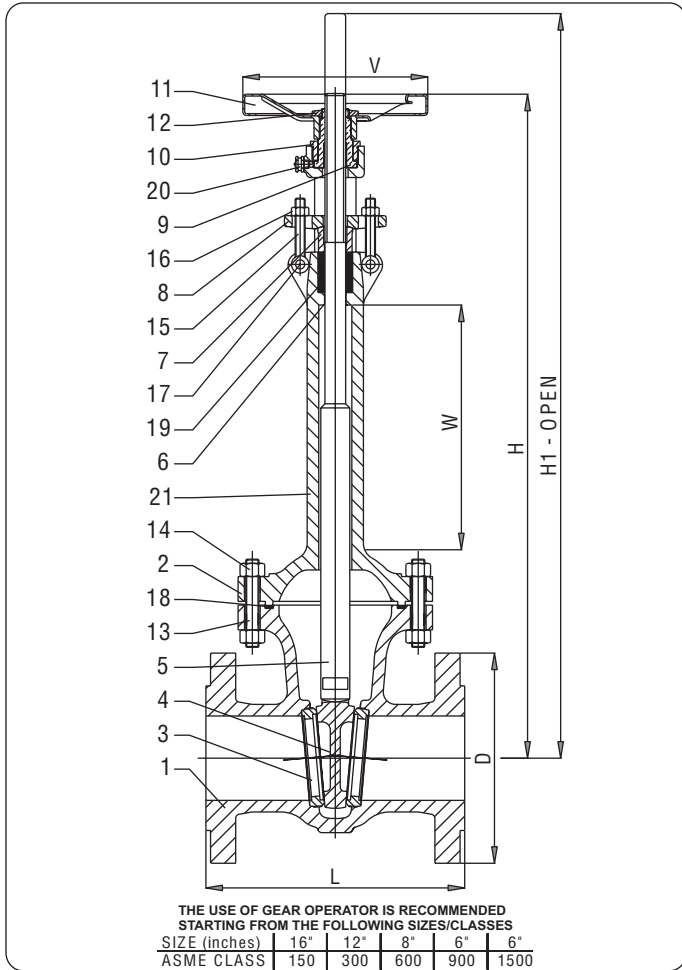
All dimensions in mm (except where differently indicated)

All data, subject to technical changes, are only for information and not for official use.

features on request

- TOP FLANGE TO ISO 5210
- GEAR OPERATOR
- CHAIN WHEEL OPERATOR
- PNEUMATIC ACTUATOR
- HYDRAULIC ACTUATOR
- ELECTRIC ACTUATOR
- POSITION INDICATOR
- LIMIT SWITCHES
- LOCKING / INTERLOCK SYSTEM
- PTFE SOFT SEATS
- STEM PROTECTION
- STEM EXTENSION
- LANTERN RING
- EXTENDED STUFFING BOX
- LIVE LOADED PACKING
- DRAIN PLUG
- BY PASS
- BW ENDS
- DIN CONNECTIONS

VALVOSIDER s.r.l. - Via S. Rocco, 2 - P.O. BOX 76 - 13011 Borgosesia (VC) - Italy
Phone: +39016322991 - Fax: +39016321537 - www.valvosider.com - e-mail: valvo@valvosider.com



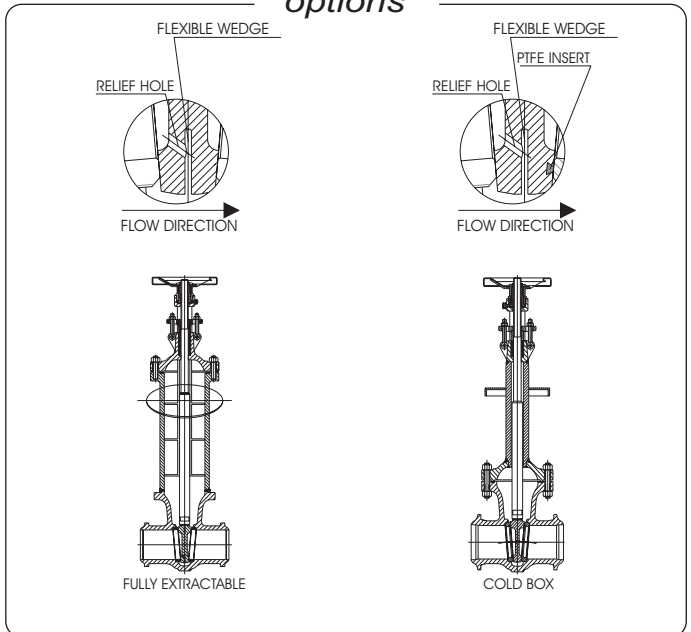
standard features

- **Description** EXTENDED BONNET
BOLTED BONNET
OUTSIDE SCREW AND YOKE
RISING STEM
NON RISING HANDWHEEL
RENEWABLE SEATS
- **Design** API 600
BS 1414
- **Face to face** ASME B16.10
- **Flanges** ASME B16.5 FROM 2" TO 24"
ASME B16.47 FROM 26"
BW TO ANSI B16.25
- **Testing** API 598
API 6D
BS 6755
- **Rating** ASME B16.34
- **Marking** MSS-SP 25
CE - PED
- **Certificates** EN 10204 - 3.1 B

PART NAME	E45xEB	F45xEB
1 Body	CF8	CF8M
2 Bonnet	CF8	CF8M
3 Seat ring surface	F316 (1)	F316 (1)
4 Wedge seat surfaces	F316 (2)	F316 (2)
5 Stem	F316 (3)	F316 (3)
6 Back seat (integral)	CF8 (2)	CF8M (2)
7 Gland	F316 (3)	F316 (3)
8 Gland flange	F316	F316
9 Yoke sleeve	B148 9A (4)	B148 9A (4)
10 Yoke nut	F316	F316
11 Handwheel	Steel	Steel
12 Handwheel nut	A105	A105
13 Bolts	B8	B8
14 Nuts	G8	G8
15 Eye bolts	B8	B8
16 Nuts	G8	G8
17 Eye bolt pin	B8	B8
18 Gasket	PTFE (5)	PTFE (5)
19 Packing	PTFE (6)	PTFE (6)
20 Grease nipple	F316	F316
21 Extension	F304L	F316L

- (1) On request: faced with Stellite® - Monel® - Hastelloy® - other materials
 (2) On request: faced with Stellite® - Monel® - Hastelloy® - other materials
 (3) On request: 17 Cr - Monel® - Hastelloy® - other materials

options



- (4) On request: Nodular Iron - Nitronic 60
 (5) On request: Graphite - other materials
 (6) On request: Graphite - other materials

All data, subject to technical changes, are only for information and not for official use.

CRYOGENIC GATE VALVES

ASME 150 - 300 - 600 - 900 - 1500

VALVOSIDER
MANUFACTURER OF VALVES

FIG. N. 450EB - CRYOGENIC GATE VALVES OVAL BODY ASME CLASS 150

SIZE	2"	2½"	3"	4"	5"	6"	8"	10"	12"	14"	16"	18"	20"	24"	28"	30"	32"	34"	36"	40"
L RF	178	191	203	229	254	267	292	330	356	381	406	432	457	508	610	610	660	711	711	762
L BW	216	241	282	305	381	403	419	457	502	571	610	660	711	813	914	914	965	1016	1016	1168
D	152	178	191	229	254	279	343	406	483	533	597	635	699	813	927	984	1060	1111	1168	1289
V	200	200	225	250	250	300	400	500	500	600	600	700	700	800	G.O.	G.O.	G.O.	G.O.	G.O.	G.O.
W	200	200	300	300	300	300	300	300	300	300	300	300	300	300	--	--	--	--	--	--
H	550	620	730	770	860	900	1075	1390	1540	1600	1800	1950	2100	2500	--	--	--	--	--	--
H1	600	690	810	870	990	1050	1280	1650	1850	1950	2200	2550	2800	3400	--	--	--	--	--	--

FIG. N. 451EB - CRYOGENIC GATE VALVES ASME CLASS 300

SIZE	2"	2½"	3"	4"	5"	6"	8"	10"	12"	14"	16"	18"	20"	24"	28"	30"	32"	34"	36"	40"
L RF/BW	216	241	282	305	381	403	419	457	502	762	838	914	991	1143	1346	1397	1524	1626	1727	1930
L RTJ	232	257	298	321	397	419	435	473	518	778	854	930	1010	1165	1371	1422	1552	1654	1755	--
D	165	191	210	254	279	318	381	445	521	584	648	711	775	914	1035	1092	1149	1207	1270	1238
V	200	200	225	250	300	400	500	500	600	600	700	700	800	900	G.O.	G.O.	G.O.	G.O.	G.O.	G.O.
W	200	200	300	300	300	300	300	300	300	300	300	300	300	300	--	--	--	--	--	--
H	600	630	800	830	920	1030	1210	1410	1540	1700	1880	2000	2200	2600	--	--	--	--	--	--
H1	650	700	880	930	1045	1180	1280	1660	1840	2050	2280	2150	2400	2750	--	--	--	--	--	--

FIG. N. 452EB - CRYOGENIC GATE VALVES ASME CLASS 600

SIZE	2"	3"	4"	6"	8"	10"	12"	14"	16"	18"	20"	24"
L RF/BW	292	356	432	559	660	787	838	889	991	1092	1194	1397
L RTJ	295	359	435	562	663	791	841	892	994	1095	1200	1407
D	165	210	273	356	419	508	559	603	686	743	813	940
V	200	250	400	500	600	700	700	800	900	1000	1600	G.O.
W	200	300	300	300	300	300	300	300	300	300	300	300
H	640	840	850	1100	1260	1455	1620	1780	1980	2130	2230	2460
H1	700	920	950	1250	1460	1710	1930	2130	2400	2580	2730	3100

FIG. N. 453EB - CRYOGENIC GATE VALVES ASME CLASS 900

SIZE	2"	3"	4"	6"	8"	10"	12"	14"	16"	18"	20"	24"
L RF/BW	368	381	457	610	737	838	965	1029	1130	1219	1321	1549
L RTJ	371	384	460	613	740	841	968	1038	1140	1232	1334	1568
D	216	241	292	381	470	546	610	641	705	787	857	1041
V	250	300	400	600	650	700	900	1000	G.O.	G.O.	G.O.	G.O.
W	200	300	300	300	300	300	300	300	300	300	300	300
H	650	900	970	1190	1414	1555	1739	1885	1939	2135	2270	2530
H1	700	980	1070	1350	1620	1820	2050	2250	2350	2600	2800	3150

FIG. N. 454EB - CRYOGENIC GATE VALVES ASME CLASS 1500

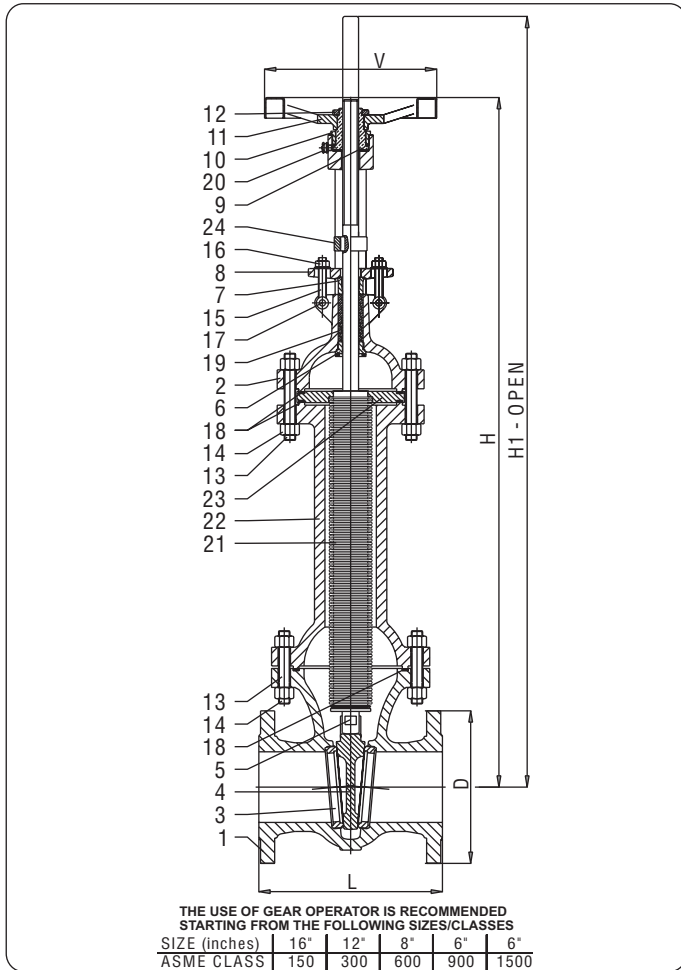
SIZE	2"	3"	4"	6"	8"	10"	12"	14"	16"	18"	20"	24"
L RF/BW	368	470	546	705	832	991	1130	1257	1384	1537	1664	1943
L RTJ	371	473	549	711	842	1000	1146	1276	1407	1559	1686	1972
D	216	267	311	394	483	584	673	749	826	914	984	1168
V	250	400	500	600	700	900	1600	1600	G.O.	G.O.	G.O.	G.O.
W	200	300	300	300	300	300	300	300	300	300	300	300
H	650	920	1060	1230	1448	1555	1739	1885	1939	2135	2270	2530
H1	700	1000	1170	1390	1660	1820	2050	2250	2350	2600	2800	3150

- features on request*
- TOP FLANGE TO ISO 5210
 - GEAR OPERATOR
 - CHAIN WHEEL OPERATOR
 - PNEUMATIC ACTUATOR
 - HYDRAULIC ACTUATOR
 - ELECTRIC ACTUATOR
 - POSITION INDICATOR
 - LIMIT SWITCHES
 - LOCKING / INTERLOCK SYSTEM
 - PTFE SOFT SEATS
 - STEM PROTECTION
 - STEM EXTENSION
 - LANTERN RING
 - EXTENDED STUFFING BOX
 - LIVE LOADED PACKING
 - DRAIN PLUG
 - BY PASS
 - BW ENDS
 - DIN CONNECTIONS

All dimensions in mm (except where differently indicated)

All data, subject to technical changes, are only for information and not for official use.

VALVOSIDER s.r.l. - Via S. Rocco, 2 - P.O. BOX 76 - 13011 Borgosesia (VC) - Italy
Phone: +39016322991 - Fax: +39016321537 - www.valvosider.com - e-mail: valvo@valvosider.com



standard features

- **Description** BELLOW SEAL
BOLTED BONNET
OUTSIDE SCREW AND YOKE
RISING STEM
NON RISING HANDWHEEL
RENEWABLE SEATS
- **Design** API 600
BS 1414
- **Face to face** ASME B16.10
- **Flanges** ASME B16.5
BW TO ANSI B16.25
- **Testing** API 598
API 6D
BS 6755
- **Rating** ASME B16.34
- **Marking** MSS-SP 25
CE - PED
- **Certificates** EN 10204 - 3.1 B

PART NAME	W45xSO	L45xSO	M45xSO	C45xSO	B45xSO	E45xSO	D45xSO	F45xSO	H45xSO
1 Body	W CB	LCB	W C6	C5	C12	CF8	CF8C	CF8M	CF3M
2 Bonnet	W CB	LCB	W C6	C5	C12	CF8	CF8C	CF8M	CF3M
3 Seat ring surface	F6A (1)	F6A (1)	F6A (1)	F6A (1)	F6A (1)	F304 (1)	F321 (1)	F316 (1)	F316L (1)
4 Wedge seat surfaces	F6A (2)	F6A (2)	F6A (2)	F6A (2)	F6A (2)	F304 (2)	F321 (2)	F316 (2)	F316L (2)
5 Stem	F6A (3)	F6A (3)	F6A (3)	F6A (3)	F6A (3)	F304 (3)	F321 (3)	F316 (3)	F316L (3)
6 Back seat	F6A (3)	F6A (3)	F6A (3)	F6A (3)	F6A (3)	F304 (3)	F321 (3)	F316 (3)	F316L (3)
7 Gland	F6A (3)	F6A (3)	F6A (3)	F6A (3)	F6A (3)	F304 (3)	F321 (3)	F316 (3)	F316L (3)
8 Gland flange	A105	F316	F316	F316	F316	F316	F316	F316	F316L
9 Yoke sleeve	B148 9A (4)	B148 9A (4)	Nod.Iron	Nod.Iron	Nod.Iron	B148 9A (4)	B148 9A (4)	B148 9A (4)	B148 9A (4)
10 Yoke nut	A105	A105	A105	A105	A105	F316	F316	F316	F316L
11 Handwheel			← Steel →						
12 Handwheel nut			← A105 →						
13 Bolts	B7	L7	B16	B16	B16	B8	B8	B8	B8
14 Nuts	2H	G4	G4	G4	G4	G8	G8	G8	G8
15 Eye bolts	B7	B7	B8	B8	B8	B8	B8	B8	B8
16 Nuts	2H	2H	2H	2H	2H	G8	G8	G8	G8
17 Eye bolt pin	B7	B7	B7	B7	B7	B8	B8	B8	B8
18 Gasket			← S.S. reinforced graphite (5) →						
19 Packing			← Graphite rings & wiper rings (6) →						
20 Grease nipple			← A105 →						
21 Bellow			← A182 F321 →						
22 Extension	A105	LF2	F11	F5	F9	F304L	F347	F316L	F316L
23 Bellow flange			← A182 F321 →						
24 No rot. Device	F6A	F6A	F6A	F6A	F6A	F304	F321	F316	F316L

(1) On request: faced with Stellite® - Monel® - Hastelloy® - other materials
 (2) On request: faced with Stellite® - Monel® - Hastelloy® - other materials
 (3) On request: 17 Cr - Monel® - Hastelloy® - other materials

(4) On request: Nodular Iron - Nitronic 60
 (5) On request: PTFE - other materials
 (6) On request: PTFE - other materials

All data, subject to technical changes, are only for information and not for official use.

GATE VALVES BELLOW SEAL ASME 150 - 300 - 600 - 900 - 1500

VALVOSIDER
MANUFACTURER OF VALVES

FIG. N. 450SO - BELLOW GATE VALVES OVAL BODY ASME CLASS 150

SIZE	2"	2½"	3"	4"	5"	6"	8"	10"	12"	14"	16"	18"	20"	24"	---
L RF	178	191	203	229	254	267	292	330	356	381	406	432	457	508	---
L BW	216	241	282	305	381	403	419	457	502	571	610	660	711	813	---
D	152	178	191	229	254	279	343	406	483	533	597	635	699	813	---
V	200	200	225	250	250	300	400	500	500	600	600	700	700	800	---
H	610	675	820	940	1160	1530	1960	2350	2600	2980	3170	3550	4050	4650	---
H1	660	740	900	1040	1290	1680	2160	2600	2900	3350	3570	4000	4550	5250	---

FIG. N. 451SO - BELLOW GATE VALVES ASME CLASS 300

SIZE	2"	2½"	3"	4"	5"	6"	8"	10"	12"	14"	16"	18"	20"	24"	---
L RF/BW	216	241	282	305	381	403	419	457	502	762	838	914	991	1143	---
L RTJ	232	257	298	321	397	419	435	473	518	778	854	930	1010	1165	---
D	165	191	210	254	279	318	381	445	521	584	648	711	775	914	---
V	200	200	225	250	300	400	500	500	600	600	700	700	800	900	---
H	600	685	765	920	1070	1315	1700	2035	2395	2760	3135	3600	4080	4795	---
H1	650	750	840	1020	1200	1465	1900	2285	2700	3110	4535	4050	4580	5350	---

FIG. N. 452SO - BELLOW GATE VALVES ASME CLASS 600

SIZE	2"	3"	4"	6"	8"	10"	12"	14"	16"	18"	20"	24"	---	---	---
L RF/BW	292	356	432	559	660	787	838	889	991	1092	1194	1397	---	---	---
L RTJ	295	359	435	562	663	791	841	892	994	1095	1200	1407	---	---	---
D	165	210	273	356	419	508	559	603	686	743	813	940	---	---	---
V	200	250	400	500	600	700	900	800	900	1000	1600	G.O.	---	---	---
H	640	805	905	1360	1720	2120	2500	---	---	---	---	---	---	---	---
H1	690	880	1010	1510	1920	2370	2800	---	---	---	---	---	---	---	---

FIG. N. 453SO - BELLOW GATE VALVES ASME CLASS 900

SIZE	2"	3"	4"	6"	8"	10"	12"	14"	16"
L RF/BW	368	381	457	610	737	838	965	1029	1130
L RTJ	371	384	460	613	740	841	968	1038	1140
D	216	241	292	381	470	546	610	641	705
V	250	300	400	600	650	700	900	1000	G.O.
H	---	---	---	---	---	---	---	---	---
H1	---	---	---	---	---	---	---	---	---

FIG. N. 454SO - BELLOW GATE VALVES ASME CLASS 1500

SIZE	2"	3"	4"	6"	8"	10"	12"	14"	16"
L RF/BW	368	470	546	705	832	991	1130	1257	1384
L RTJ	371	473	549	711	842	1000	1146	1276	1407
D	216	267	311	394	483	584	673	749	826
V	250	400	500	600	700	900	1600	1600	1600
H	---	---	---	---	---	---	---	---	---
H1	---	---	---	---	---	---	---	---	---

features on request

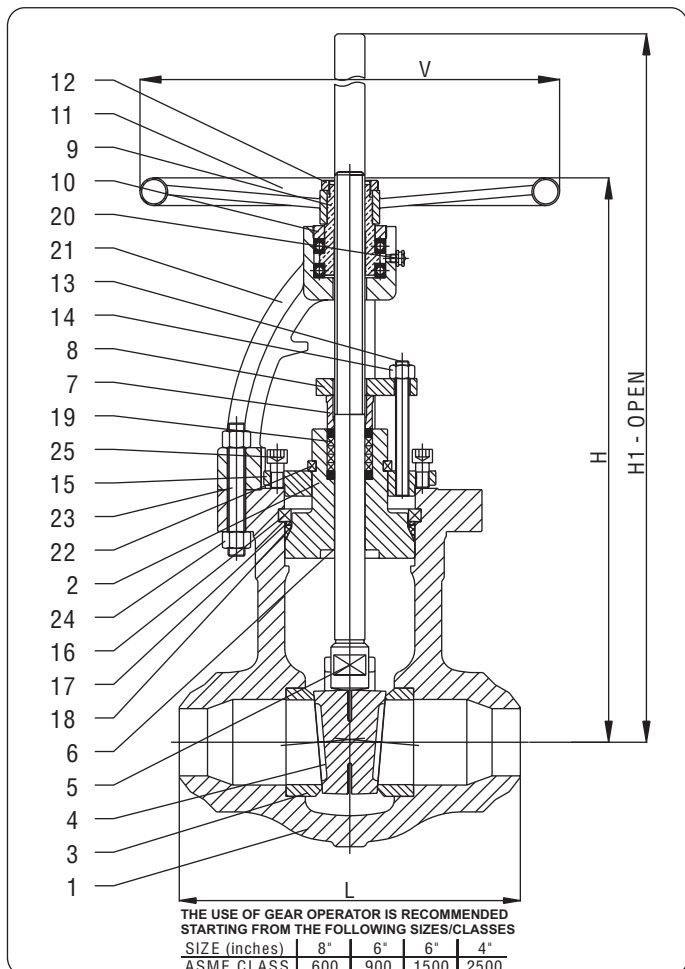
- TOP FLANGE TO ISO 5210
- GEAR OPERATOR
- CHAIN WHEEL OPERATOR
- PNEUMATIC ACTUATOR
- HYDRAULIC ACTUATOR
- ELECTRIC ACTUATOR
- POSITION INDICATOR
- LIMIT SWITCHES
- LOCKING / INTERLOCK SYSTEM
- PTFE SOFT SEATS
- STEM PROTECTION
- STEM EXTENSION
- LANTERN RING
- EXTENDED STUFFING BOX
- LIVE LOADED PACKING
- DRAIN PLUG
- BY PASS
- BW ENDS
- DIN CONNECTIONS

All dimensions in mm (except where differently indicated)

All data, subject to technical changes, are only for information and not for official use.

VALVOSIDER s.r.l. - Via S. Rocco, 2 - P.O. BOX 76 - 13011 Borgosesia (VC) - Italy
Phone: +39016322991 - Fax: +39016321537 - www.valvosider.com - e-mail: valvo@valvosider.com

standard features



- **Description** ROUND BODY
PRESSURE SEAL BONNET
OUTSIDE SCREW AND YOKE
RISING STEM
NON RISING HANDWHEEL
INTEGRAL BACKSEAT
WELDED IN SEATS
FLEXIBLE WEDGE
- **Design** API 600 STYLE A
ASME B16.34
API 600 STYLE B on demand
- **Face to face** ASME B16.10
- **Ends** ASME B16.5
BW ENDS TO ASME B16.25
- **Testing** API 598
API 6D
BS 6755
- **Rating** ASME B16.34
- **Marking** MSS-SP 25
CE - PED
- **Certificates** EN 10204 - 3.1 B

PART NAME	WP5x	IP5x	MP5x	WCP5x	FP5x
1 Body	W C B	W C 1	W C 6	W C 9	C F 8M
2 Bonnet	W C B	W C 1	W C 6	W C 9	C F 8M
3 Seat - ring	A105 + HF (1)	F6A + HF (1)	F6A + HF (1)	F6A + HF (1)	F316 + HF (1)
4 Wedge seat surfaces	W C B + HF (1)	W C 1 + HF (1)	W C 6 + HF (1)	W C 9 + HF (1)	C F 8M + HF (1)
5 Stem	F6A (3)	F6A (3)	F6A (3)	F6A (3)	F316 (3)
6 Back seat (integral)		←	Stellite® (2)	→	
7 Gland	F6A (3)	F6A (3)	F6A (3)	F6A (3)	F316 (3)
8 Gland flange	A105	F316	F316	F316	F316
9 Yoke sleeve		←	B148 9A (4)	→	
10 Yoke nut	A 105	A 105	A 105	A 105	F316
11 Handwheel		←	Steel	→	
12 Handwheel nut		←	A105	→	
13 Bolts	B7	B16	B16	B16	B8
14 Nuts	2H	G4	G4	G4	G8
15 Retainer flange	A 105	A 105	A 105	A 105	F316
16 Segmented retainer ring	F6A	F6A	F6A	F6A	F316
17 Spacer ring	F6A	F6A	F6A	F6A	F316
18 Gasket		←	S.S. Reinforced Graphite (5)	→	
19 Packing		←	Graphite rings & wiper rings	→	
20 Grease nipple		←	Steel	→	
21 Yoke	W C B	W C 1	W C 6	W C 9	C F 8M
22 Segmented support ring	F6	F6	F6	F6	F316
23 Yoke / body bolt	B7	B16	B16	B16	B8
24 Yoke / body nut	2H	G4	G4	G4	G8
25 Bolts	B7	B16	B16	B16	B8

(1) On request: faced with Stellite® - Monel® - Hastelloy® - other materials
 (2) On request: faced with Monel® - Hastelloy® - other materials
 (3) On request: 17 Cr - Monel® - Hastelloy® - other materials

(4) On request: Nodular Iron - Nitronic 60
 (5) On request: Metal

All data, subject to technical changes, are only for information and not for official use.

PRESSURE SEAL GATE VALVES ASME 600 - 900 - 1500 - 2500

VALVOSIDER
MANUFACTURER OF VALVES

FIG. N. P52 - PRESSURE SEAL GATE VALVES ASME CLASS 600

SIZE	2"	3"	4"	6"	8"	10"	12"	14"	16"	18"	20"	24"
L RF	292	356	432	559	660	787	838	889	991	1092	1194	1397
L RTJ	295	359	435	562	663	791	841	892	994	1095	1200	1407
L BW	178	254	305	457	584	711	813	889	991	1092	1194	1397
V	200	250	400	500	600	700	G.O.	G.O.	G.O.	G.O.	G.O.	G.O.
H	500	550	590	840	970	1160	1300	1500	1780	2000	2150	2400
H1	550	630	690	990	1170	1410	1600	1850	2180	2450	2650	3000

FIG. N. P53 - PRESSURE SEAL GATE VALVES ASME CLASS 900

SIZE	2"	3"	4"	6"	8"	10"	12"	14"	16"	18"	20"	24"
L RF	368	381	457	610	737	838	965	1029	1130	1219	1321	1549
L RTJ	371	384	460	613	740	841	968	1038	1140	1232	1334	1568
L BW	216	305	356	508	660	787	914	991	1092	1143	1245	1397
V	250	300	400	500	G.O.	G.O.	G.O.	G.O.	G.O.	G.O.	G.O.	G.O.
H	500	550	590	840	970	1250	1350	1580	1900	2050	2200	2500
H1	550	620	690	990	1170	1500	1650	1930	2300	2600	2700	3100

FIG. N. P54 - PRESSURE SEAL GATE VALVES ASME CLASS 1500

SIZE	2"	3"	4"	6"	8"	10"	12"	14"	16"	18"	20"	24"
L RF	368	470	546	705	832	991	1130	1257	1384	1537	1664	1943
L RTJ	371	473	549	711	842	1000	1146	1276	1407	1559	1686	1972
L BW	216	305	406	559	711	864	991	1067	1194	1346	1473	1943
V	250	400	600	G.O.	G.O.	G.O.	G.O.	G.O.	G.O.	G.O.	G.O.	G.O.
H	500	550	590	840	970	1250	1350	1780	2000	2200	2400	2600
H1	550	630	690	990	1170	1500	1700	2130	2400	2650	2900	3200

FIG. N. P55 - PRESSURE SEAL GATE VALVES ASME CLASS 2500

SIZE	2"	3"	4"	6"	8"	10"	12"	14"	16"	18"	20"	24"
L RF	451	578	673	914	1022	1270	1422	-	-	-	-	-
L RTJ	454	584	683	927	1038	1292	1445	-	-	-	-	-
L BW	279	368	457	610	762	914	1041	1118	1245	1397	1524	1676
V	300	500	700	G.O.	G.O.	G.O.	G.O.	G.O.	G.O.	G.O.	G.O.	G.O.
H	500	550	600	860	1000	1330	1480	1860	2090	2350	2650	2800
H1	550	630	690	1010	1200	1580	1780	2210	2490	2800	3150	3400

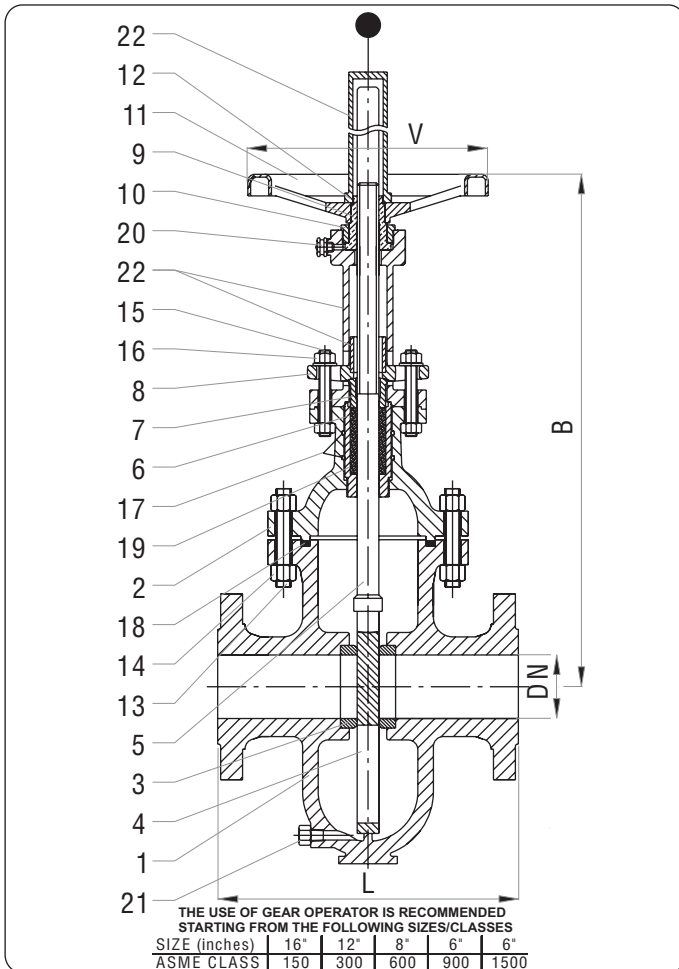
features on request

- | | |
|--|--|
| <ul style="list-style-type: none"> <input type="radio"/> TOP FLANGE TO ISO 5210 <input type="radio"/> GEAR OPERATOR <input type="radio"/> CHAIN WHEEL OPERATOR <input type="radio"/> PNEUMATIC OR HYDRAULIC ACTUATOR <input type="radio"/> ELECTRIC ACTUATOR <input type="radio"/> POSITION INDICATOR <input type="radio"/> LIMIT SWITCHES <input type="radio"/> LOCKING / INTERLOCK SYSTEM <input type="radio"/> PTFE SOFT SEATS <input type="radio"/> PARALLEL WEDGE | <ul style="list-style-type: none"> <input type="radio"/> TWO PIECE BODY GUIDED WEDGE <input type="radio"/> STEM PROTECTION <input type="radio"/> STEM EXTENSION <input type="radio"/> LANTERN RING <input type="radio"/> EXTENDED STUFFING BOX <input type="radio"/> LIVE LOADED PACKING <input type="radio"/> DRAIN PLUG <input type="radio"/> BY PASS <input type="radio"/> FLANGED ENDS <input type="radio"/> DIN CONNECTIONS |
|--|--|

All dimensions in mm (except where differently indicated)

All data, subject to technical changes, are only for information and not for official use.

VALVOSIDER s.r.l. - Via S. Rocco, 2 - P.O. BOX 76 - 13011 Borgosesia (VC) - Italy
Phone: +39016322991 - Fax: +39016321537 - www.valvosider.com - e-mail: valvo@valvosider.com



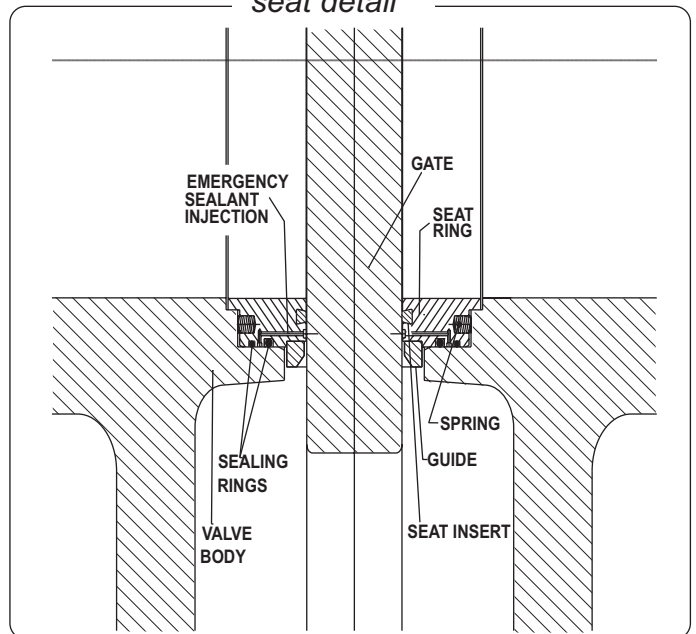
standard features

- **Description** ROUND OR FLAT BODY
BOLTED BONNET
OUTSIDE SCREW AND YOKE
RISING STEM
NON RISING HANDWHEEL
RENEWABLE SOFT SEATS
PARALLEL SLAB GATE
- **Design** API 6 D
ASME B16.34
ASME B31.3
- **Face to face** API 6D
- **Flanges** ASME B16.5 FROM 2" TO 24"
ASME B16.47 FROM ≥ 26"
BW ENDS TO ASME B16.25
- **Testing** API 598
API 6D
BS 6755
- **Rating** ASME B16.34
- **Marking** API 6D
MSS-SP 25
CE - PED
- **Certificates** EN 10204 - 3.1 B

PART NAME	WT5x	LCT5x
1 Body	A216 WCB	A352 LCC
2 Bonnet	A216 WCB	A352 LCC
3 Seat ring surface	A105 (1)	A350 LF2 (1)
4 Gate seat surfaces	A516 Gr70(2)	A537 CL1 (2)
5 Stem	AISI 410 (3)	AISI 410 (3)
6 Stuffing box	A105 (3)	A350 LF2 (3)
7 Gland	A105 (3)	A350 LF2 (3)
8 Gland flange	A105	A350 LF2
9 Yoke sleeve	B148 9A (4)	B148 9A (4)
10 Yoke nut	A105	A105
11 Handwheel	Steel	Steel
12 Handwheel nut	A105	A105
13 Bolts	B7	L7
14 Nuts	2H	G4
15 Eye bolts	B7	L7
16 Nuts	2H	G4
17 O rings	BUNA	BUNA / VITON
18 Gasket	BUNA (5)	BUNA / VITON (5)
19 Packing	VITON (6)	VITON (6)
20 Grease nipple	A105	A105
21 Plug	A105	A350 LF2
22 Stem protection	A105	A105

- (1) On request: faced with Stellite® - Monel® - Hastelloy® - other materials
- (2) On request: faced with Stellite® - Monel® - Hastelloy® - other materials
- (3) On request: 17 Cr - Monel® - Hastelloy® - other materials

seat detail



- (4) On request: Nodular Iron - Nitronic 60
- (5) On request: Graphite - other materials
- (6) On request: Graphite - other materials

All data, subject to technical changes, are only for information and not for official use.

GATE VALVES - THROUGH CONDUIT ASME 150 - 300 - 600 - 900 - 1500

VALVOSIDER
MANUFACTURER OF VALVES

FIG. N. T50 - THROUGH CONDUIT GATE VALVES OVAL BODY ASME CLASS 150

SIZE	3"	4"	6"	8"	10"	12"	14"	16"	18"	20"	22"	24"	26"	28"	30"	32"	34"	36"	40"	42"	48"
L RF	203	229	267	292	330	356	381	406	432	457	508	508	559	610	650	711	762	800	914	--	--
L BW	282	305	403	419	457	502	572	610	660	711	762	813	864	914	914	965	1016	1016	1118	--	--
DN	76	102	152	203	254	305	337	387	439	489	540	591	635	686	737	782	831	876	927	--	--
V	300	300	300	450	600	600	600	600	600	800	G.O.	G.O.	G.O.	G.O.	G.O.	G.O.	G.O.	G.O.	G.O.	--	--
A	215	270	345	433	520	584	630	722	785	860	974	1050	1160	1210	1295	1360	1480	1540	1700	--	--
B	505	530	665	820	975	1100	1190	1345	1480	1610	1800	1880	2110	2190	2330	2530	2660	2800	3160	--	--

FIG. N. T51 - THROUGH CONDUIT GATE VALVES ASME CLASS 300

SIZE	3"	4"	6"	8"	10"	12"	14"	16"	18"	20"	22"	24"	26"	28"	30"	32"	34"	36"	40"	42"	48"
L RF/BW	282	305	403	419	457	502	762	838	914	991	1092	1143	1245	1346	1397	1524	1626	1727	1930	--	--
L RTJ	298	321	419	435	473	518	778	854	930	1010	1114	1165	1270	1372	1422	1552	1654	1755	--	--	--
DN	76	102	152	203	254	305	337	389	439	489	540	591	635	686	737	782	831	876	978	--	--
V	300	300	300	300	600	600	600	800	800	1100	G.O.	G.O.	G.O.	G.O.	G.O.	G.O.	G.O.	G.O.	G.O.	--	--
A	260	299	355	430	507	580	661	747	817	897	982	1037	1142	1252	1335	1395	1490	1570	1700	--	--
B	490	533	655	920	980	1110	1200	1360	1480	1650	1810	1930	2160	2230	2400	2570	2710	2820	3200	--	--

FIG. N. T52 - THROUGH CONDUIT GATE VALVES ASME CLASS 600

SIZE	3"	4"	6"	8"	10"	12"	14"	16"	18"	20"	22"	24"	26"	28"	30"	32"	34"	36"	40"	42"	48"
L RF/BW	356	432	559	660	787	838	889	991	1092	1194	1295	1397	1448	1549	1651	1778	1930	2083	2286	--	--
L RTJ	359	435	562	663	791	841	892	994	1095	1200	1305	1407	1461	1562	1664	1794	1946	2099	--	--	--
DN	76	102	152	203	254	305	337	389	439	489	540	591	635	686	737	782	831	876	978	--	--
V	300	300	300	300	600	600	600	800	800	1100	G.O.	G.O.	G.O.	G.O.	G.O.	G.O.	G.O.	G.O.	G.O.	--	--
A	212	307	405	435	510	590	630	725	810	930	995	1085	1170	1280	1350	1400	1490	1580	1710	--	--
B	485	530	690	860	980	1160	1200	1375	1500	1700	1900	2100	2200	2300	2400	2650	2750	2900	3200	--	--

FIG. N. T53 - THROUGH CONDUIT GATE VALVES ASME CLASS 900

SIZE	3"	4"	6"	8"	10"	12"	14"	16"	18"	20"	22"	24"	26"
L RF/BW	381	457	610	737	838	965	1029	1130	1219	1321	--	1549	--
L RTJ	384	460	613	740	841	968	1038	1140	1232	1334	--	1568	--
DN	76	102	152	203	254	305	337	389	439	489	540	591	--
V	300	300	300	300	600	600	G.O.	G.O.	G.O.	G.O.	G.O.	G.O.	--
A	207	252	337	422	514	590	637	727	917	987	--	1212	--
B	515	541	660	850	998	1200	1300	1400	1600	1800	--	2100	--

FIG. N. T54 - THROUGH CONDUIT GATE VALVES ASME CLASS 1500

SIZE	3"	4"	6"	8"	10"	12"	14"	16"	18"	20"	22"	24"	26"
L RF/BW	470	546	705	832	991	1130	1257	1384	1537	1664	--	1943	--
L RTJ	500	549	711	841	1000	1146	1276	1407	1559	1686	--	1972	--
DN	76	102	152	203	254	305	337	389	439	489	540	591	--
V	300	300	300	300	600	600	G.O.	G.O.	G.O.	G.O.	G.O.	G.O.	--
A	254	271	357	437	520	532	661	747	817	897	--	1037	--
B	588	661	715	860	1010	1200	1400	1500	1600	1800	--	2200	--

features on request

- TOP FLANGE TO ISO 5210
- GEAR OPERATOR
- CHAIN WHEEL OPERATOR
- PNEUMATIC ACTUATOR
- HYDRAULIC ACTUATOR
- ELECTRIC ACTUATOR
- POSITION INDICATOR
- LIMIT SWITCHES
- LOCKING / INTERLOCK SYSTEM
- PTFE SOFT SEATS
- STEM PROTECTION
- STEM EXTENSION
- SECONDARY SEAL
- LANTERN RING
- EXTENDED STUFFING BOX
- LIVE LOADED PACKING
- DRAIN PLUG
- BY PASS
- BW ENDS
- DIN CONNECTIONS

All dimensions in mm (except where differently indicated)

All data, subject to technical changes, are only for information and not for official use.

VALVOSIDER s.r.l. - Via S. Rocco, 2 - P.O. BOX 76 - 13011 Borgosesia (VC) - Italy
Phone: +39016322991 - Fax: +39016321537 - www.valvosider.com - e-mail: valvo@valvosider.com