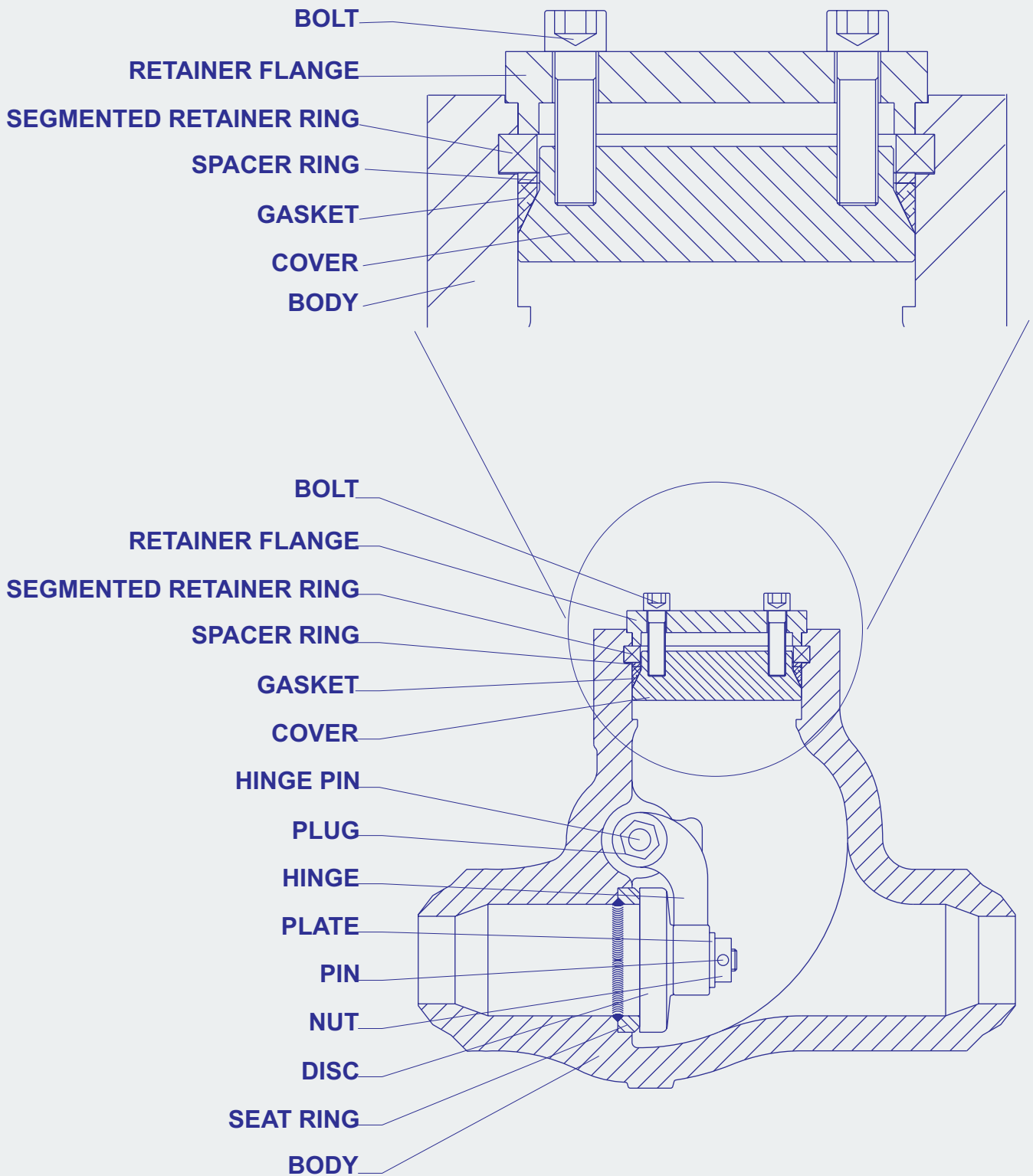
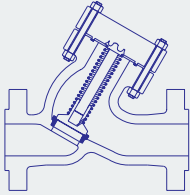
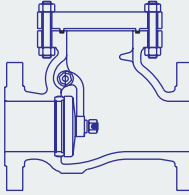
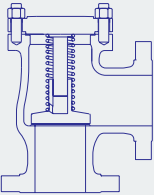
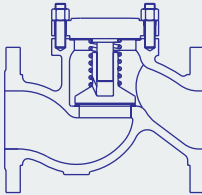
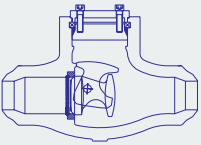
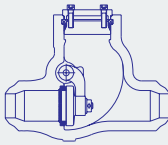
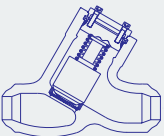
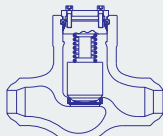
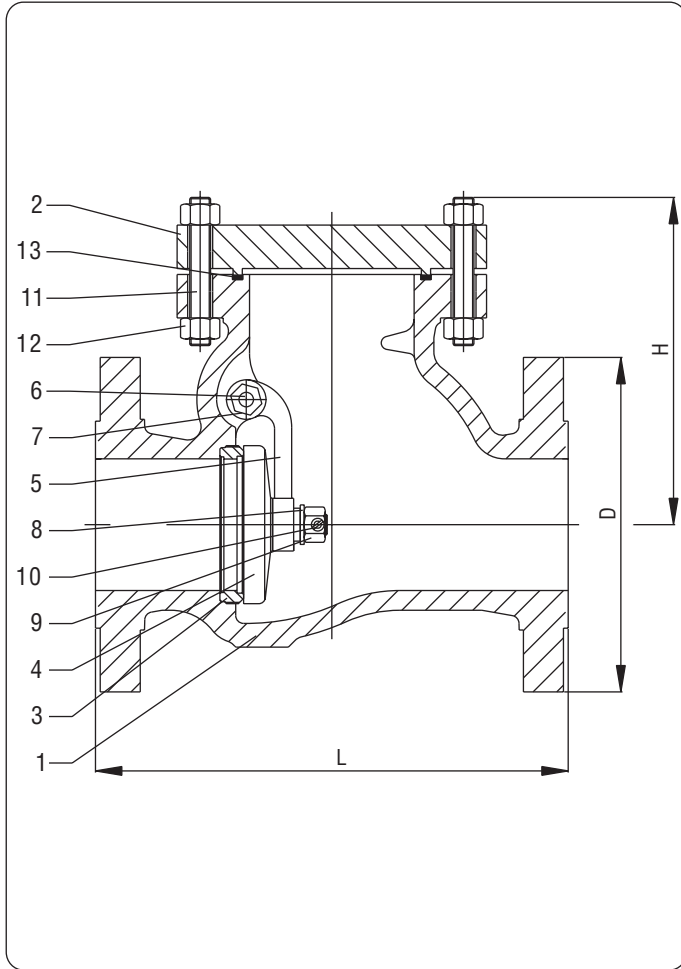


DESCRIPTION OF A TYPICAL SWING CHECK VALVE - PRESSURE SEAL



TYPE	CLASS	SIZE	FIG. N.	TYPE	CLASS	SIZE	FIG. N.
PISTON CHECK VALVES Y TYPE  page 96	PN16	15 - 600	1405	SWING CHECK VALVES  page 92	PN16 - F6	50 - 1000	1311
	PN 25/40	15 - 600	1434		PN16 - F1	50 - 1000	1312
	PN 63	15 - 600	1560YR		PN 25	50 - 1000	1313
	PN 100	15 - 300	1570YR		PN 40	50 - 1000	1314
			PN 63		50 - 600	1315	
			PN 100		50 - 600	1316	
			PN 160		50 - 600	1317	
PISTON CHECK VALVES 90° ANGLE  page 98	PN16	15 - 600	1411	PISTON CHECK VALVES  page 94	PN16	15 - 600	1402
	PN 25/40	15 - 600	1441		PN 25/40	15 - 600	1431
	PN 63	15 - 600	1560AR		PN 63	15 - 600	1560R
	PN 100	15 - 300	1570AR		PN 100	15 - 300	1570R
			PN 160		15 - 300	1580R	
TILTING DISC CHECK VALVES PRESSURE SEAL  page 102	PN 100	50 - 600	P172T	SWING CHECK VALVES PRESSURE SEAL  page 100	PN 100	50 - 600	P172
	PN 160	50 - 600	P173T		PN 160	50 - 600	P173
	PN 250	50 - 400	P174T		PN 250	50 - 400	P174
	PN 320	50 - 400	P175T		PN 320	50 - 400	P175
	PN 420	50 - 400	P176T		PN 420	50 - 400	P176
LIFT CHECK VALVES PRESSURE SEAL Y TYPE  page 106	PN 100	50 - 600	P182PC	LIFT CHECK VALVES PRESSURE SEAL STRAIGHT  page 104	PN 100	50 - 600	P162PC
	PN 160	50 - 600	P183PC		PN 160	50 - 600	P163PC
	PN 250	50 - 400	P184PC		PN 250	50 - 400	P164PC
	PN 320	50 - 400	P185PC		PN 320	50 - 400	P165PC
	PN 420	50 - 400	P186PC		PN 420	50 - 400	P166PC



standard features

- **Description** FULL OPENING
BOLTED COVER
LAPPED DISC AND SEAT
RENEWABLE SEAT
- **Design** DIN 3352
DIN 3840
- **Face to face** DIN 3202
- **Flanges** DIN 2501
DIN 2547
DIN 2526 FORM E
BW TO DIN 3239
- **Testing** DIN 3352 Part 1
DIN 3230 Part 3
- **Rating** DIN 2401
- **Marking** EN 19
CE - PED

PART NAME	A13xx	C13xx	FH13xx	FK13xx
1 Body	1.0619	1.7363	1.4552	1.4581
2 Cover	1.0619	1.7363	1.4552	1.4581
3 Seat ring surface	X20Cr13 (1)	X20Cr13 (1)	X6CrNiTi18-10 (1)	X5CrNiMo17-12-2 (1)
4 Disc seat surface	X20Cr13 (2)	X20Cr13 (2)	X6CrNiTi18-10 (2)	X5CrNiMo17-12-2 (2)
5 Hinge	1.0619 (3)	X5CrNiMo17-12-2 (3)	X6CrNiTi18-10 (3)	GX5CrNiMoNb19-11-2 (3)
6 Inge pin	X20Cr13	X20Cr13	X6CrNiTi18-10	X5CrNiMo17-12-2
7 Plug	1.0460	X5CrNiMo17-12-2	X5CrNiMo17-12-2	X5CrNiMo17-12-2
8 Plate	1.0460	X5CrNiMo17-12-2	X5CrNiMo17-12-2	X5CrNiMo17-12-2
9 Nut	C35	24CrMo5	A2-70	A2-70
10 Pin	X5CrNiMo17-12-2	X5CrNiMo17-12-2	X5CrNiMo17-12-2	X5CrNiMo17-12-2
11 Bolts	CK35	21CrMoV57	A2-70	A2-70
12 Nut	C35	24CrMo5	A2-70	A2-70
13 Gasket	← S.S. spiral wound reinforced graphite (4) →			

(1) On request: faced with Stellite® - Monel® - Hastelloy® - other materials
 (2) On request: faced with Stellite® - Monel® - Hastelloy® - other materials
 (3) On request: 17 Cr - Monel® - Hastelloy® - other materials

(4) On request: PTFE - other materials

All data, subject to technical changes, are only for information and not for official use.

SWING CHECK VALVES

DIN PN 16 - 25 - 40 - 63 - 100 - 160

VALVOSIDER
MANUFACTURER OF VALVES

FIG. 1311 - SWING CHECK VALVES DIN PN 16 - F6

SIZE DN	50	65	80	100	125	150	200	250	300	350	400	500	600	700	800	900	1000
L RF/BW	200	240	260	300	350	400	500	600	700	800	900	1100	1300	1500	1700	1900	2100
D	165	185	200	220	250	285	340	405	460	520	580	715	840	910	1025	1125	1255
H	150	180	200	225	270	300	355	390	445	495	530	620	730	--	--	--	--

FIG. 1312 - SWING CHECK VALVES DIN PN 16 - F1

SIZE DN	50	65	80	100	125	150	200	250	300	350	400	500	600	700	800	900	1000
L RF/BW	230	290	310	350	400	480	600	730	850	980	1100	1250	1450	1650	1850	2050	2250
D	165	185	200	220	250	285	340	405	460	520	580	715	840	910	1025	1125	1255
H	150	180	200	225	270	300	355	390	445	495	530	620	730	--	--	--	--

FIG. 1313 - SWING CHECK VALVES DIN PN 25 - F1

SIZE DN	50	65	80	100	125	150	200	250	300	350	400	500	600	700	800	900	1000
L RF/BW	230	290	310	350	400	480	600	730	850	980	1100	1250	1450	1650	1850	2050	2250
D	165	185	200	235	270	300	360	425	485	555	620	730	845	960	1085	1185	1320
H	165	180	200	235	270	300	360	425	485	495	530	740	--	--	--	--	--

FIG. 1314 - SWING CHECK VALVES DIN PN 40 - F1

SIZE DN	50	65	80	100	125	150	200	250	300	350	400	500	600	700	800	900	1000
L RF/BW	230	290	310	350	400	480	600	730	850	980	1100	1250	1450	1650	1850	2050	2250
D	165	185	200	235	270	300	375	450	515	580	660	775	890	995	1140	1250	1360
H	150	180	200	225	270	300	355	390	445	495	530	740	--	--	--	--	--

FIG. 1315 - SWING CHECK VALVES DIN PN 63 - F2

SIZE DN	50	65	80	100	125	150	200	250	300	350	400	500	600	700	800	900	1000
L RF/BW	300	340	380	430	500	550	650	775	900	1025	1150	1400	1600	--	--	--	--
D	180	205	215	250	295	345	415	470	530	600	670	800	930	--	--	--	--
H	195	210	230	290	305	370	410	470	520	--	--	--	--	--	--	--	--

FIG. 1316 - SWING CHECK VALVES DIN PN 100 - F2

SIZE DN	50	65	80	100	125	150	200	250	300	350	400	500	600	700	800	900	1000
L RF/BW	300	340	380	430	500	550	650	775	900	1025	1150	1400	1600	--	--	--	--
D	195	220	230	265	315	355	430	505	585	655	715	870	990	--	--	--	--
H	195	210	230	290	305	370	410	470	520	--	--	--	--	--	--	--	--

FIG. 1317 - SWING CHECK VALVES DIN PN 160 - F8

SIZE DN	50	65	80	100	125	150	200	250	300	350	400	500	600	700	800	900	1000
L RF/BW	300	360	390	450	525	600	750	900	1050	1200	1350	1650	--	--	--	--	--
D	195	220	230	265	315	355	430	515	585	--	--	--	--	--	--	--	--
H	195	210	230	290	305	370	410	--	--	--	--	--	--	--	--	--	--

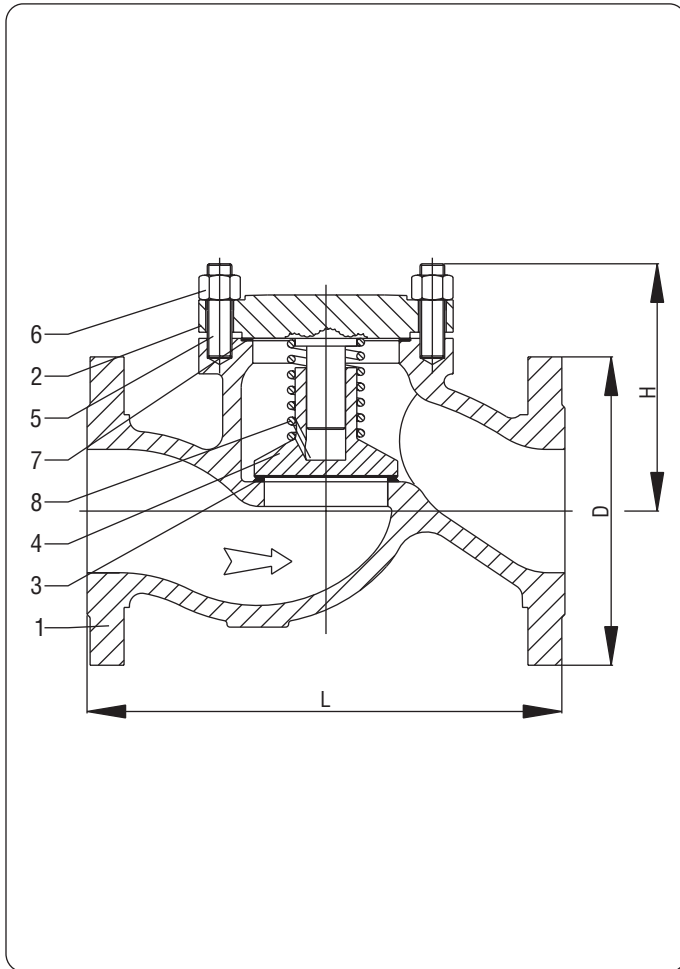
features on request

- | | |
|---|---|
| <input type="checkbox"/> DISK WITH PTFE OR RUBBER | <input type="checkbox"/> BY-PASS |
| <input type="checkbox"/> LEVER AND WEIGHT | <input type="checkbox"/> DRAIN PLUG |
| <input type="checkbox"/> SHOCK ABSORBER | <input type="checkbox"/> BW ENDS |
| <input type="checkbox"/> LOCKING DEVICE | <input type="checkbox"/> RTJ FLANGES |
| <input type="checkbox"/> INTEGRAL SEAT | <input type="checkbox"/> ANSI CONNECTIONS |

All dimensions in mm (except where differently indicated)

All data, subject to technical changes, are only for information and not for official use.

VALVOSIDER s.r.l. - Via S. Rocco, 2 - P.O. BOX 76 - 13011 Borgosesia (VC) - Italy
Phone: +39016322991 - Fax: +39016321537 - www.valvosider.com - e-mail: valvo@valvosider.com



standard features

- **Description** BOLTED COVER
RETURN SPRING
- **Design** DIN 3352
DIN 3840
- **Face to face** DIN 3202
- **Flanges** DIN 2501
DIN 2547
DIN 2526 FORM E
BW TO DIN 3239
- **Testing** DIN 3352 Part 1
DIN 3230 Part 3
- **Rating** DIN 2401
- **Marking** EN 19
CE - PED
- **Certificates** EN 10204 – 3.1 B

PART NAME	G1402 - (CAST IRON)	A1431 A1560R A1570R A1580R	FK1431 FK1560R FK1570R FK1580R
1 Body	EN-GJL-250	1.0619 (A)	1.4581
2 Cover	EN-GJL-250	1.0619 (B)	1.4581
3 Seat ring surface	N/A	X20Cr13 (1)	X5CrNiMo17-12-2 (1)
4 Disc seat surface	X20Cr13 (2)	X20Cr13 (2)	X5CrNiMo17-12-2 (2)
5 Spring	X5CrNiMo17-12-2	X5CrNiMo17-12-2	X5CrNiMo17-12-2
6 Bolts	C K35	C K35	A2-70
7 Nuts	C 35	C 35	A2-70
8 Gasket	S. S. reinforced graphite (3)	S. S. reinforced graphite (3)	S. S. reinforced graphite (3)

(1) On request: faced with Stellite® - Monel® - Hastelloy® - other materials
 (2) On request: faced with Stellite® - Monel® - Hastelloy® - other materials
 (3) On request: PTFE - other materials

(A) For PN ≤ 40 and DN ≤ 50 = 1.0460
 For PN ≥ 63 and DN ≤ 25 = 1.0460
 (B) For PN ≤ 40 and DN ≤ 80 = 1.0460
 For PN ≥ 63 and DN ≤ 40 = 1.0460

All data, subject to technical changes, are only for information and not for official use.

PISTON CHECK VALVES

DIN PN 16 - 25 - 40 - 63 - 100 - 160

VALVOSIDER
MANUFACTURER OF VALVES

FIG. 1402 - PISTON CHECK VALVES DIN PN 16 - CAST IRON - F1

SIZE DN	15	20	25	32	40	50	65	80	100	125	150	175	200	250	300	350	400	450	500	600
L RF	130	150	160	180	200	230	290	310	350	400	480	550	600	730	850	980	1100	1200	1250	1450
D	95	105	115	140	150	165	185	200	220	250	285	315	340	405	460	520	580	640	715	840
H	70	80	85	100	110	115	130	145	165	185	205	235	250	300	360	410	460	520	570	--

FIG.1431 - PISTON CHECK VALVES DIN PN 25 / 40 - F1

SIZE DN	15	20	25	32	40	50	65	80	100	125	150	175	200	250	300	350	400	450	500	600
L RF/BW	130	150	160	180	200	230	290	310	350	400	480	550	600	730	850	980	1100	1200	1250	1450
D - PN25	95	105	115	140	150	165	185	200	235	270	300	330	360	425	485	555	620	670	730	845
D - PN40	95	105	115	140	150	165	185	200	235	270	300	350	375	450	515	580	660	685	755	890
H	65	75	85	100	110	125	145	160	190	220	250	295	320	385	450	510	585	610	670	--

FIG. 1560R - PISTON CHECK VALVES DIN PN 63 - F2

SIZE DN	15	20	25	32	40	50	65	80	100	125	150	175	200	250	300	350	400	500	600	--
L RF/BW	210	230	230	260	260	300	340	380	430	500	550	600	650	775	900	1025	1150	1400	1600	--
D	105	130	140	155	170	180	205	215	250	295	345	375	415	470	530	600	670	800	930	--
H	105	120	120	135	150	160	180	200	230	280	310	340	390	430	500	--	--	--	--	--

FIG. 1570R - PISTON CHECK VALVES DIN PN 100 - F2

SIZE DN	15	20	25	32	40	50	65	80	100	125	150	175	200	250	300	--	--	--	--	--
L RF/BW	210	230	230	260	260	300	340	380	430	500	550	600	650	775	900	--	--	--	--	--
D	105	130	140	155	170	195	220	230	265	315	355	385	430	505	585	--	--	--	--	--
H	105	120	120	135	150	170	200	220	250	300	350	380	410	480	570	--	--	--	--	--

FIG. 1580R - PISTON CHECK VALVES DIN PN 160 - F2

SIZE DN	15	20	25	32	40	50	65	80	100	125	150	175	200	250	300	--	--	--	--	--
L RF/BW	210	230	230	260	260	300	340	380	430	500	550	600	650	775	900	--	--	--	--	--
D	105	130	140	155	170	195	220	230	265	315	355	390	430	515	585	--	--	--	--	--
H	110	125	125	140	155	180	220	240	270	320	370	400	430	500	600	--	--	--	--	--

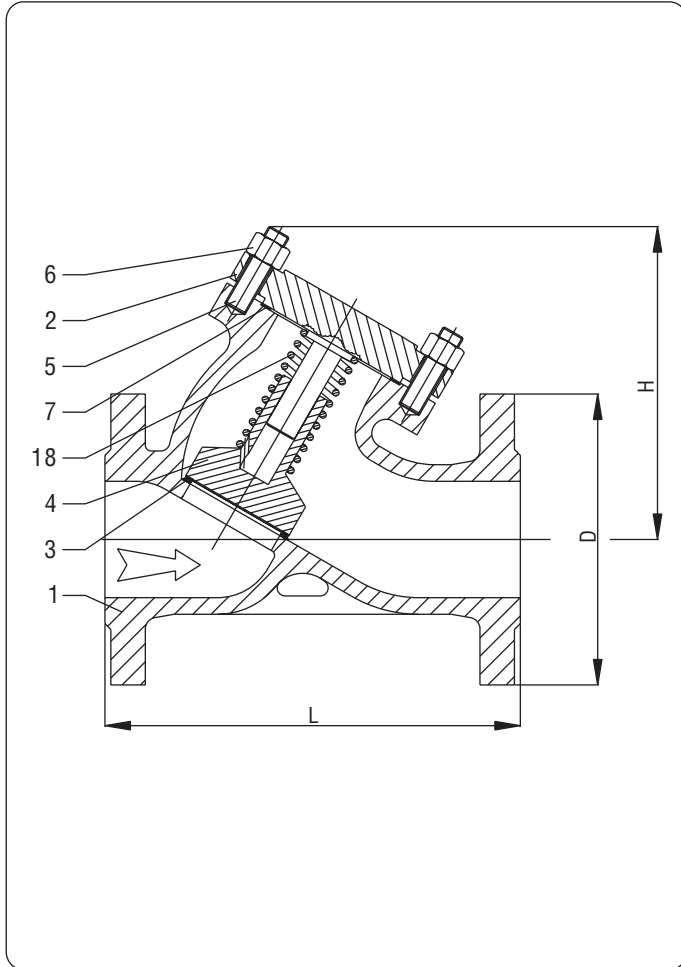
features on request

- | | |
|---|---|
| <input type="checkbox"/> DISC WITH PTFE OR RUBBER | <input type="checkbox"/> BW ENDS |
| <input type="checkbox"/> INTEGRAL SEAT | <input type="checkbox"/> RTJ FLANGES |
| <input type="checkbox"/> BY-PASS | <input type="checkbox"/> ANSI CONNECTIONS |
| <input type="checkbox"/> DRAIN PLUG | |

All dimensions in mm (except where differently indicated)

All data, subject to technical changes, are only for information and not for official use.

VALVOSIDER s.r.l. - Via S. Rocco, 2 - P.O. BOX 76 - 13011 Borgosesia (VC) - Italy
Phone: +39016322991 - Fax: +39016321537 - www.valvosider.com - e-mail: valvo@valvosider.com



standard features

- **Description** BOLTED COVER
RETURN SPRING
- **Design** DIN 3352
DIN 3840
- **Face to face** DIN 3202
- **Flanges** DIN 2501
DIN 2547
DIN 2526 FORM E
BW TO DIN 3239
- **Testing** DIN 3352 Part 1
DIN 3230 Part 3
- **Rating** DIN 2401
- **Marking** EN 19
CE - PED
- **Certificates** EN 10204 - 3.1 B

PART NAME	G1405 - (CAST IRON)	A1434 A1560YR A1570YR	FK1434 FK1560YR FK1570YR
1 Body	EN-GJL-250	1.0619 (A)	1.4581
2 Cover	EN-GJL-250	1.0619 (B)	1.4581
3 Seat ring surface	N/A	X20Cr13 (1)	X5CrNiMo17-12-2 (1)
4 Disc seat surface	X20Cr13 (2)	X20Cr13 (2)	X5CrNiMo17-12-2 (2)
5 Spring	X5CrNiMo17-12-2	X5CrNiMo17-12-2	X5CrNiMo17-12-2
6 Bolts	C K35	C K35	A2-70
7 Nuts	C 35	C 35	A2-70
8 Gasket	S. S. reinforced graphite (3)	S. S. reinforced graphite (3)	S. S. reinforced graphite (3)

(1) On request: faced with Stellite® - Monel® - Hastelloy® - other materials
 (2) On request: faced with Stellite® - Monel® - Hastelloy® - other materials
 (3) On request: PTFE - other materials

(A) For PN ≤ 40 and DN ≤ 50 = 1.0460
 For PN ≥ 63 and DN ≤ 25 = 1.0460
 (B) For PN ≤ 40 and DN ≤ 80 = 1.0460
 For PN ≥ 63 and DN ≤ 40 = 1.0460

All data, subject to technical changes, are only for information and not for official use.

PISTON CHECK VALVES - 'Y' TYPE DIN PN 16 - 25 - 40 - 63 - 100

VALVOSIDER
MANUFACTURER OF VALVES

FIG. 1405 - PISTON CHECK VALVES - 'Y' TYPE - DIN PN 16 - CAST IRON - F1

SIZE DN	15	20	25	32	40	50	65	80	100	125	150	175	200	250	300	350	400	450	500	600
L RF	130	150	160	180	200	230	290	310	350	400	480	550	600	730	850	980	1100	1200	1250	1450
D	95	105	115	140	150	165	185	200	220	250	285	315	340	405	460	520	580	640	715	840
H	70	80	85	100	110	115	130	145	165	185	205	235	250	300	360	410	460	520	570	--

FIG.1434 - PISTON CHECK VALVES - 'Y' TYPE - DIN PN 25 / 40 - F1

SIZE DN	15	20	25	32	40	50	65	80	100	125	150	175	200	250	300	350	400	450	500	600
L RF/BW	130	150	160	180	200	230	290	310	350	400	480	550	600	730	850	980	1100	1200	1250	1450
D - PN25	95	105	115	140	150	165	185	200	235	270	300	330	360	425	485	555	620	670	730	845
D - PN40	95	105	115	140	150	165	185	200	235	270	300	350	375	450	515	580	660	685	755	890
H	65	75	85	100	110	125	145	160	190	220	250	295	320	385	450	510	585	610	670	--

FIG. 1560YR - PISTON CHECK VALVES - 'Y' TYPE - DIN PN 63 - F2

SIZE DN	15	20	25	32	40	50	65	80	100	125	150	175	200	250	300	350	400	500	600	--
L RF/BW	210	230	230	260	260	300	340	380	430	500	550	600	650	775	900	1025	1150	1400	1600	--
D	105	130	140	155	170	180	205	215	250	295	345	375	415	470	530	600	670	800	930	--
H	105	120	120	135	150	160	180	200	230	280	310	340	390	430	500	--	--	--	--	--

FIG. 1570YR - PISTON CHECK VALVES - 'Y' TYPE - DIN PN 100 - F2

SIZE DN	15	20	25	32	40	50	65	80	100	125	150	175	200	250	300	--	--	--	--	--
L RF/BW	210	230	230	260	260	300	340	380	430	500	550	600	650	775	900	--	--	--	--	--
D	105	130	140	155	170	195	220	230	265	315	355	385	430	505	585	--	--	--	--	--
H	105	120	120	135	150	170	200	220	250	300	350	380	410	480	570	--	--	--	--	--

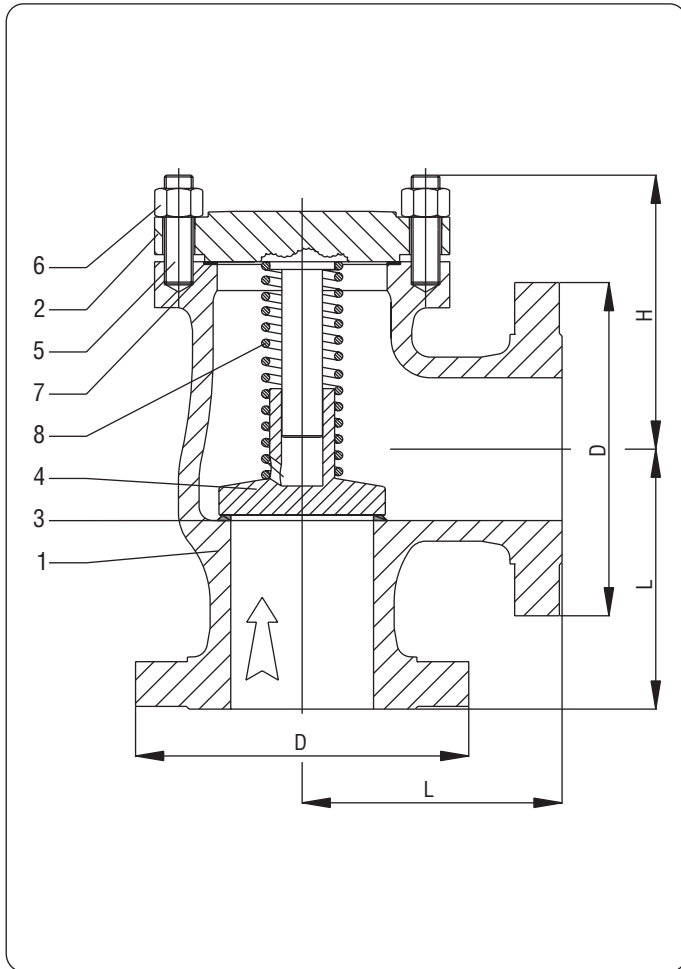
features on request

- | | |
|--|--|
| <input type="radio"/> DISC WITH PTFE OR RUBBER | <input type="radio"/> BW ENDS |
| <input type="radio"/> INTEGRAL SEAT | <input type="radio"/> RTJ FLANGES |
| <input type="radio"/> BY-PASS | <input type="radio"/> ANSI CONNECTIONS |
| <input type="radio"/> DRAIN PLUG | |

All dimensions in mm (except where differently indicated)

All data, subject to technical changes, are only for information and not for official use.

VALVOSIDER s.r.l. - Via S. Rocco, 2 - P.O. BOX 76 - 13011 Borgosesia (VC) - Italy
Phone: +39016322991 - Fax: +39016321537 - www.valvosider.com - e-mail: valvo@valvosider.com



standard features

- **Description** BOLTED COVER
RETURN SPRING
- **Design** DIN 3352
DIN 3840
- **Face to face** DIN 3202
- **Flanges** DIN 2501
DIN 2547
DIN 2526 FORM E
BW TO DIN 3239
- **Testing** DIN 3352 Part 1
DIN 3230 Part 3
- **Rating** DIN 2401
- **Marking** EN 19
CE - PED
- **Certificates** EN 10204 - 3.1 B

PART NAME	G1411 - (CAST IRON)	A1441 A1560AR A1570AR	FK1441 FK1560AR FK1570AR
1 Body	EN-GJL-250	1.0619 (A)	1.4581
2 Cover	EN-GJL-250	1.0619 (B)	1.4581
3 Seat ring surface	N/A	X20Cr13 (1)	X5CrNiMo17-12-2 (1)
4 Disc seat surface	X20Cr13 (2)	X20Cr13 (2)	X5CrNiMo17-12-2 (2)
5 Spring	X5CrNiMo17-12-2	X5CrNiMo17-12-2	X5CrNiMo17-12-2
6 Bolts	C K35	C K35	A2-70
7 Nuts	C 35	C 35	A2-70
8 Gasket	S. S. reinforced graphite (3)	S. S. reinforced graphite (3)	S. S. reinforced graphite (3)

(1) On request: faced with Stellite® - Monel® - Hastelloy® - other materials
 (2) On request: faced with Stellite® - Monel® - Hastelloy® - other materials
 (3) On request: PTFE - other materials

(A) For PN ≤ 40 and DN ≤ 50 = 1.0460
 For PN ≥ 63 and DN ≤ 25 = 1.0460
 (B) For PN ≤ 40 and DN ≤ 80 = 1.0460
 For PN ≥ 63 and DN ≤ 40 = 1.0460

All data, subject to technical changes, are only for information and not for official use.

VALVOSIDER s.r.l. - Via S. Rocco, 2 - P.O. BOX 76 - 13011 Borgosesia (VC) - Italy
 Phone: +39016322991 - Fax: +39016321537 - www.valvosider.com - e-mail: valvo@valvosider.com

PISTON CHECK VALVES - 90° ANGLE DIN PN 16 - 25 - 40 - 63 - 100

VALVOSIDER
MANUFACTURER OF VALVES

FIG. 1411 - PISTON CHECK VALVES - 90° ANGLE - DIN PN 16 - CAST IRON - F32

SIZE DN	15	20	25	32	40	50	65	80	100	125	150	175	200	250	300	350	400	450	500	600
L RF	90	95	100	105	115	125	145	155	175	200	225	250	275	325	375	425	475	500	575	675
D	95	105	115	140	150	165	185	200	220	250	285	315	340	405	460	520	580	640	715	840
H	70	80	85	100	110	115	130	145	165	185	205	235	250	300	360	410	460	520	570	--

FIG.1441 - PISTON CHECK VALVES - 90° ANGLE - DIN PN 25 / 40 - F32

SIZE DN	15	20	25	32	40	50	65	80	100	125	150	175	200	250	300	350	400	450	500	600
L RF/BW	90	95	100	105	115	125	145	155	175	200	225	250	275	325	375	425	475	500	575	675
D - PN25	95	105	115	140	150	165	185	200	235	270	300	330	360	425	485	555	620	670	730	845
D - PN40	95	105	115	140	150	165	185	200	235	270	300	350	375	450	515	580	660	685	755	890
H	70	80	85	100	110	125	145	160	190	220	250	295	320	385	450	510	585	610	670	--

FIG. 1560AR - PISTON CHECK VALVES - 90° ANGLE - DIN PN 63 - F33

SIZE DN	15	20	25	32	40	50	65	80	100	125	150	175	200	250	300	350	400	500	600	--
L RF/BW	105	105	115	130	130	150	170	190	215	250	275	300	325	390	450	515	575	700	--	--
D	105	130	140	155	170	180	205	215	250	295	345	375	415	470	530	600	670	800	--	--
H	105	120	120	135	150	160	180	200	230	280	310	340	390	430	500	--	--	--	--	--

FIG. 1570AR - PISTON CHECK VALVES - 90° ANGLE - DIN PN 100 - F33

SIZE DN	15	20	25	32	40	50	65	80	100	125	150	175	200	250	300	--	--	--	--	--
L RF/BW	105	105	115	130	130	150	170	190	215	250	275	300	325	390	450	--	--	--	--	--
D	105	130	140	155	170	195	220	230	265	315	355	385	430	505	585	--	--	--	--	--
H	105	120	120	135	150	170	200	220	250	300	350	380	410	480	570	--	--	--	--	--

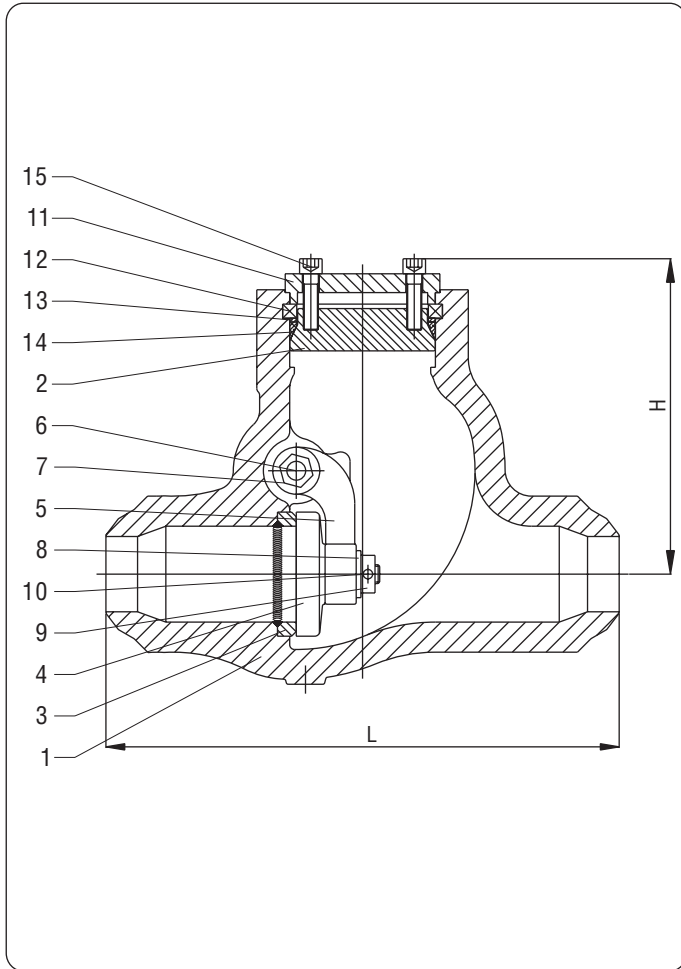
features on request

- | | |
|--|--|
| <input type="radio"/> DISC WITH PTFE OR RUBBER | <input type="radio"/> BW ENDS |
| <input type="radio"/> INTEGRAL SEAT | <input type="radio"/> RTJ FLANGES |
| <input type="radio"/> BY-PASS | <input type="radio"/> ANSI CONNECTIONS |
| <input type="radio"/> DRAIN PLUG | |

All dimensions in mm (except where differently indicated)

All data, subject to technical changes, are only for information and not for official use.

VALVOSIDER s.r.l. - Via S. Rocco, 2 - P.O. BOX 76 - 13011 Borgosesia (VC) - Italy
Phone: +39016322991 - Fax: +39016321537 - www.valvosider.com - e-mail: valvo@valvosider.com



standard features

- **Description** PRESSURE SEAL COVER
FULL OPENING
LAPPED DISC AND SEAT
WELDED IN SEATS
- **Design** DIN 3352
DIN 3840
- **Face to face** DIN 3202
- **Flanges** DIN 2501
DIN 2547
DIN 2526 FORM E
BW TO DIN 3239
- **Testing** DIN 3352 Part 1
DIN 3230 Part 3
- **Rating** DIN 2401
- **Marking** EN 19
CE - PED
- **Certificates** EN 10204 – 3.1 B

PART NAME	AP17x	FKP17x
1 Body	1.0619	1.4581
2 Cover	1.0619	1.4581
3 Ring - seat surface	1.0460 + HF (1)	X2CrNiMo17-12-2 + HF (1)
4 Disc - seat surfaces	1.0619 + HF (2)	1.4581 + HF (2)
5 Hinge	1.0619	1.4581
6 Hinge pin	X20Cr13	X5CrNiMo17-12-2
7 Plug (externally)	1.0460	X5CrNiMo17-12-2
8 Plate	1.0460	X5CrNiMo17-12-2
9 Nut	C35	A2-70
10 Pin	X5CrNiMo17-12-2	X5CrNiMo17-12-2
11 Retainer flange	1.0460	1.4401
12 Segmented retainer ring	X20Cr13	1.4401
13 Spacer ring	X20Cr13	1.4401
14 Gasket	S. S. reinforced graphite (3)	S. S. reinforced graphite (3)
15 Bolt	CK35	A2-70

- (1) On request: faced with Stellite® - Monel® - Hastelloy® - other materials
 (2) On request: faced with Stellite® - Monel® - Hastelloy® - other materials
 (3) On request: Soft iron - Stainless steel

All data, subject to technical changes, are only for information and not for official use.

SWING CHECK VALVES - PRESSURE SEAL DIN PN 100 - 160 - 250 - 320 - 420

VALVOSIDER
MANUFACTURER OF VALVES

FIG. P172 - PRESSURE SEAL SWING CHECK VALVES DIN PN 100 - F2

SIZE	50	65	80	100	125	150	200	250	300	350	400	500	600
L BW	300	340	380	430	500	550	650	775	900	1025	1150	1275	1600
L RF	300	340	380	430	500	550	650	775	900	1025	1150	1275	1600
H	180	205	215	275	300	350	390	450	500	555	630	800	1000

FIG. P173 - PRESSURE SEAL SWING CHECK VALVES DIN PN 160 - F8

SIZE	50	65	80	100	125	150	200	250	300	350	400	500	600
L BW	300	360	390	450	525	600	750	900	1050	1200	1350	1650	--
L RF	300	360	390	450	525	600	750	900	1050	1200	1350	1650	--
H	245	260	250	310	340	390	510	580	620	680	740	850	--

FIG. P174 - PRESSURE SEAL SWING CHECK VALVES DIN PN 250 - F9

SIZE	50	65	80	100	125	150	200	250	300	350	400	500	600
L BW	350	425	470	550	650	750	950	1150	1350	1550	1750	--	--
L RF	350	425	470	550	650	750	950	1150	1350	1550	1750	--	--
H	245	270	290	350	380	420	630	690	750	800	980	--	--

FIG. P175 - PRESSURE SEAL SWING CHECK VALVES DIN PN 320 - F9

SIZE	50	65	80	100	125	150	200	250	300	350	400	500	600
L BW	350	425	470	550	650	750	950	1150	1350	1550	1750	--	--
L RF	350	425	470	550	650	750	950	1150	1350	1550	1750	--	--
H	245	280	300	380	405	430	650	720	780	--	--	--	--

FIG. P176 - PRESSURE SEAL SWING CHECK VALVES DIN PN 420 - F9

SIZE	50	65	80	100	125	150	200	250	300	350	400	500	600
L BW	350	425	470	550	650	750	950	1150	1350	1550	1750	--	--
L RF	350	425	470	550	650	750	950	1150	1350	1550	1750	--	--
H	245	280	300	380	405	430	650	720	780	--	--	--	--

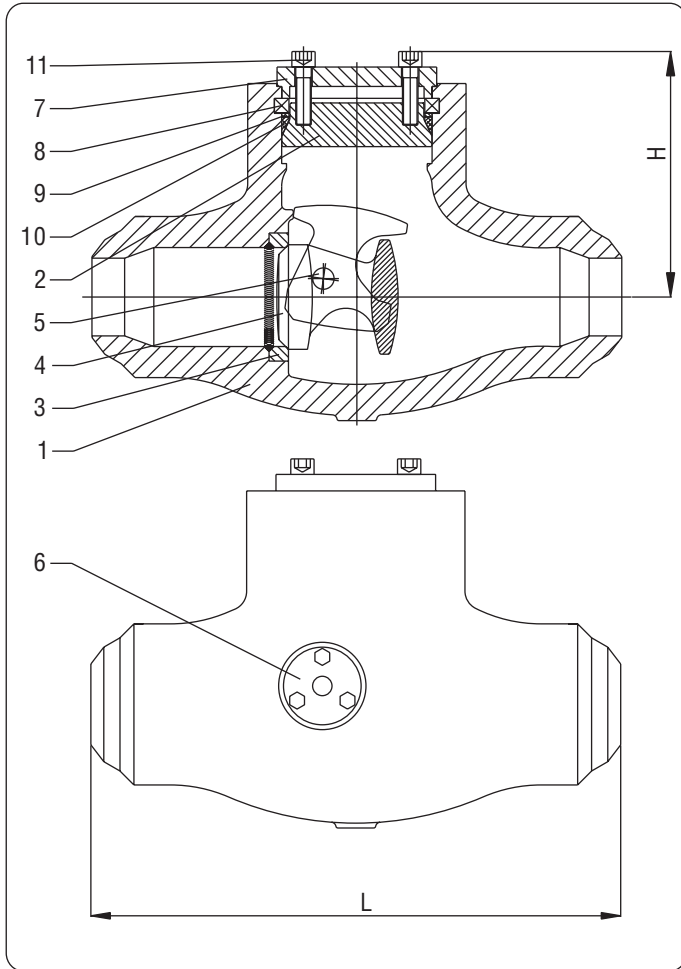
features on request

- | | |
|--|--|
| <input type="radio"/> DISC WITH PTFE OR RUBBER | <input type="radio"/> FLANGED ENDS |
| <input type="radio"/> INTEGRAL SEAT | <input type="radio"/> RTJ FLANGES |
| <input type="radio"/> BY-PASS | <input type="radio"/> ANSI CONNECTIONS |
| <input type="radio"/> DRAIN PLUG | |

All dimensions in mm (except where differently indicated)

All data, subject to technical changes, are only for information and not for official use.

VALVOSIDER s.r.l. - Via S. Rocco, 2 - P.O. BOX 76 - 13011 Borgosesia (VC) - Italy
Phone: +39016322991 - Fax: +39016321537 - www.valvosider.com - e-mail: valvo@valvosider.com



standard features

- **Description** PRESSURE SEAL COVER LAPPED DISC AND SEAT WELDED IN SEATS
- **Design** DIN 3352
DIN 3840
- **Face to face** DIN 3202
- **Flanges** DIN 2501
DIN 2547
DIN 2526 FORM E
BW TO DIN 3239
- **Testing** DIN 3352 Part 1
DIN 3230 Part 3
- **Rating** DIN 2401
- **Marking** EN 19
CE - PED
- **Certificates** EN 10204 – 3.1 B

PART NAME	AP17xT	FKP 17xT
1 Body	1.0619	1.4581
2 Cover	1.0619	1.4581
3 Ring - seat surface	1.0460 + HF (1)	X2CrNiMo17-12-2 + HF (1)
4 Disc - seat surfaces	1.0619 + HF (2)	1.4581 + HF (2)
5 Pin	X5CrNiMo17-12-2	X5CrNiMo17-12-2
6 Plug (externally)	1.0460	X5CrNiMo17-12-2
7 Retainer flange	1.0460	1.4401
8 Segmented retainer ring	X20Cr13	1.4401
9 Spacer ring	X20Cr13	1.4401
10 Gasket	S. S. reinforced graphite (3)	S. S. reinforced graphite (3)
11 Bolt	CK35	A2-70

- (1) On request: faced with Stellite® - Monel® - Hastelloy® - other materials
 (2) On request: faced with Stellite® - Monel® - Hastelloy® - other materials
 (3) On request: Soft iron - Stainless steel

All data, subject to technical changes, are only for information and not for official use.

VALVOSIDER s.r.l. - Via S. Rocco, 2 - P.O. BOX 76 - 13011 Borgosesia (VC) - Italy
 Phone: +39016322991 - Fax: +39016321537 - www.valvosider.com - e-mail: valvo@valvosider.com

TILTING DISC CHECK VALVES

PRESSURE SEAL DIN PN 100 - 160 - 250 - 320 - 420

VALVOSIDER
MANUFACTURER OF VALVES

FIG. P172T - PRESSURE SEAL TILTING DISC CHECK VALVES DIN PN 100 - F2

SIZE	50	65	80	100	125	150	200	250	300	350	400	500	600
L BW	300	340	380	430	500	550	650	775	900	1025	1150	1275	1600
L RF	300	340	380	430	500	550	650	775	900	1025	1150	1275	1600
H	180	205	215	275	300	350	390	450	500	555	630	800	1000

FIG. P173T - PRESSURE SEAL TILTING DISC CHECK VALVES DIN PN 160 - F8

SIZE	50	65	80	100	125	150	200	250	300	350	400	500	600
L BW	300	360	390	450	525	600	750	900	1050	1200	1350	1650	--
L RF	300	360	390	450	525	600	750	900	1050	1200	1350	1650	--
H	245	260	250	310	340	390	510	580	620	680	740	850	--

FIG. P174T - PRESSURE SEAL TILTING DISC CHECK VALVES DIN PN 250 - F9

SIZE	50	65	80	100	125	150	200	250	300	350	400	500	600
L BW	350	425	470	550	650	750	950	1150	1350	1550	1750	--	--
L RF	350	425	470	550	650	750	950	1150	1350	1550	1750	--	--
H	245	270	290	350	380	420	630	690	750	800	980	--	--

FIG. P175T - PRESSURE SEAL TILTING DISC CHECK VALVES DIN PN 320 - F9

SIZE	50	65	80	100	125	150	200	250	300	350	400	500	600
L BW	350	425	470	550	650	750	950	1150	1350	1550	1750	--	--
L RF	350	425	470	550	650	750	950	1150	1350	1550	1750	--	--
H	245	280	300	380	405	430	650	720	780	840	1010	--	--

FIG. P176T - PRESSURE SEAL TILTING DISC CHECK VALVES DIN PN 420 - F9

SIZE	50	65	80	100	125	150	200	250	300	350	400	500	600
L BW	350	425	470	550	650	750	950	1150	1350	1550	1750	--	--
L RF	350	425	470	550	650	750	950	1150	1350	1550	1750	--	--
H	245	280	300	380	405	430	650	720	780	840	1010	--	--

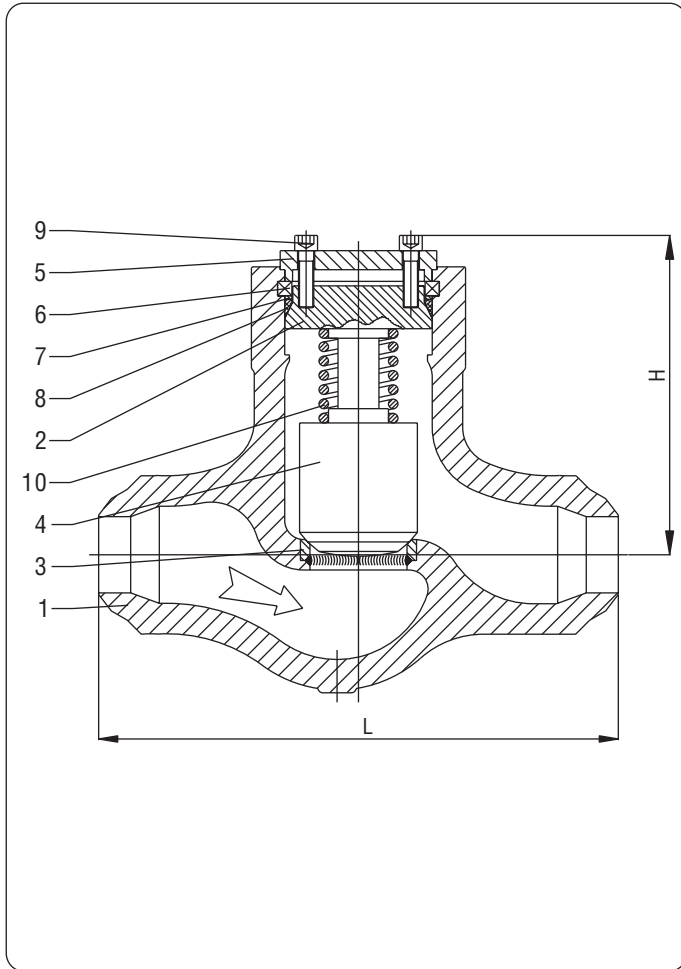
features on request

- | | |
|--|---|
| <input type="radio"/> DISC WITH PTFE OR RUBBER
<input type="radio"/> INTEGRAL SEAT
<input type="radio"/> BY-PASS
<input type="radio"/> DRAIN PLUG | <input type="radio"/> FLANGED ENDS
<input type="radio"/> RTJ FLANGES
<input type="radio"/> ANSI CONNECTIONS |
|--|---|

All dimensions in mm (except where differently indicated)

All data, subject to technical changes, are only for information and not for official use.

VALVOSIDER s.r.l. - Via S. Rocco, 2 - P.O. BOX 76 - 13011 Borgosesia (VC) - Italy
 Phone: +39016322991 - Fax: +39016321537 - www.valvosider.com - e-mail: valvo@valvosider.com



standard features

- **Description** PRESSURE SEAL COVER LAPPED DISC AND SEAT WELDED IN SEATS
- **Design** DIN 3352
DIN 3840
- **Face to face** DIN 3202
- **Flanges** DIN 2501
DIN 2547
DIN 2526 FORM E
BW TO DIN 3239
- **Testing** DIN 3352 Part 1
DIN 3230 Part 3
- **Rating** DIN 2401
- **Marking** EN 19
CE - PED
- **Certificates** EN 10204 – 3.1 B

PART NAME	AP16xPC	FKP16xPC
1 Body	1.0619	1.4581
2 Cover	1.0619	1.4581
3 Ring - seat surface	1.0460 + HF (1)	X2CrNiMo17-12-2 + HF (1)
4 Disc - seat surfaces	1.0619 + HF (2)	1.4581 + HF (2)
5 Retainer flange	1.0460	1.4401
6 Segmented retainer ring	X20Cr13	1.4401
7 Spacer ring	X20Cr13	1.4401
8 Gasket	S. S. reinforced graphite (3)	S. S. reinforced graphite (3)
9 Bolt	C K35	A2-70
10 Spring	X5CrNiMo17-12-2	X5CrNiMo17-12-2

- (1) On request: faced with Stellite® - Monel® - Hastelloy® - other materials
 (2) On request: faced with Stellite® - Monel® - Hastelloy® - other materials
 (3) On request: Soft iron - Stainless steel

All data, subject to technical changes, are only for information and not for official use.

VALVOSIDER s.r.l. - Via S. Rocco, 2 - P.O. BOX 76 - 13011 Borgosesia (VC) - Italy
 Phone: +39016322991 - Fax: +39016321537 - www.valvosider.com - e-mail: valvo@valvosider.com

**LIFT CHECK VALVES - PRESSURE SEAL
STRAIGHT TYPE - DIN PN 100 - 160 - 250 - 320 - 420**

VALVOSIDER
MANUFACTURER OF VALVES

FIG. P162PC - PRESSURE SEAL LIFT CHECK VALVES DIN PN 100 - F2

SIZE	50	65	80	100	125	150	200	250	300	350	400	500	600
L BW	300	340	380	430	500	550	650	775	900	1025	1150	1275	1600
L RF	300	340	380	430	500	550	650	775	900	1025	1150	1275	1600
H	230	260	280	330	360	450	520	600	700	--	--	--	--

FIG. P163PC - PRESSURE SEAL LIFT CHECK VALVES DIN PN 160 - F8

SIZE	50	65	80	100	125	150	200	250	300	350	400	500	600
L BW	300	360	390	450	525	600	750	900	1050	1200	1350	1650	--
L RF	300	360	390	450	525	600	750	900	1050	1200	1350	1650	--
H	270	285	300	390	410	430	520	60	700	--	--	--	--

FIG. P164PC - PRESSURE SEAL LIFT CHECK VALVES DIN PN 250 - F9

SIZE	50	65	80	100	125	150	200	250	300	350	400	500	600
L BW	350	425	470	550	650	750	950	1150	1350	1550	1750	--	--
L RF	350	425	470	550	650	750	950	1150	1350	1550	1750	--	--
H	270	290	310	400	420	440	530	620	720	--	--	--	--

FIG. P165PC - PRESSURE SEAL LIFT CHECK VALVES DIN PN 320 - F9

SIZE	50	65	80	100	125	150	200	250	300	350	400	500	600
L BW	350	425	470	550	650	750	950	1150	1350	1550	1750	--	--
L RF	350	425	470	550	650	750	950	1150	1350	1550	1750	--	--
H	270	290	310	400	420	440	530	620	720	--	--	--	--

FIG. P166PC - PRESSURE SEAL LIFT CHECK VALVES DIN PN 420 - F9

SIZE	50	65	80	100	125	150	200	250	300	350	400	500	600
L BW	350	425	470	550	650	750	950	1150	1350	1550	1750	--	--
L RF	350	425	470	550	650	750	950	1150	1350	1550	1750	--	--
H	270	290	310	400	420	440	530	620	720	--	--	--	--

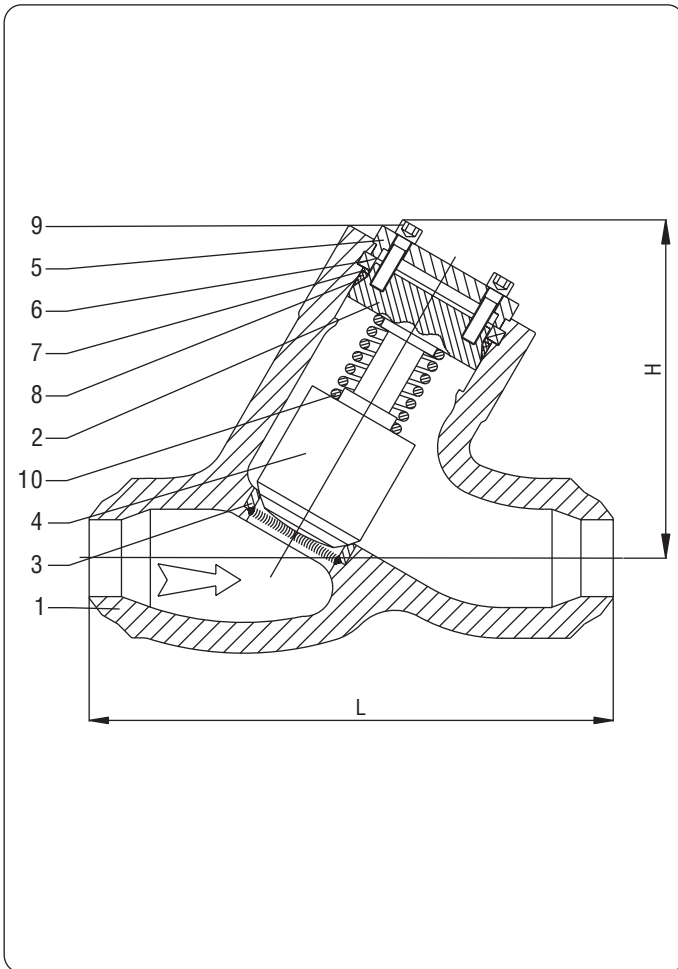
features on request

- | | |
|--|--|
| <input type="radio"/> DISC WITH PTFE OR RUBBER | <input type="radio"/> FLANGED ENDS |
| <input type="radio"/> INTEGRAL SEAT | <input type="radio"/> RTJ FLANGES |
| <input type="radio"/> BY-PASS | <input type="radio"/> ANSI CONNECTIONS |
| <input type="radio"/> DRAIN PLUG | |

All dimensions in mm (except where differently indicated)

All data, subject to technical changes, are only for information and not for official use.

VALVOSIDER s.r.l. - Via S. Rocco, 2 - P.O. BOX 76 - 13011 Borgosesia (VC) - Italy
Phone: +39016322991 - Fax: +39016321537 - www.valvosider.com - e-mail: valvo@valvosider.com



standard features

- **Description** PRESSURE SEAL COVER
LAPPED DISC AND SEAT
WELDED IN SEATS
- **Design** DIN 3352
DIN 3840
- **Face to face** DIN 3202
- **Flanges** DIN 2501
DIN 2547
DIN 2526 FORM E
BW TO DIN 3239
- **Testing** DIN 3352 Part 1
DIN 3230 Part 3
- **Rating** DIN 2401
- **Marking** EN 19
CE - PED
- **Certificates** EN 10204 – 3.1 B

PART NAME	AP18xPC	FKP18xPC
1 Body	1.0619	1.4581
2 Cover	1.0619	1.4581
3 Ring - seat surface	1.0460 + HF (1)	X2CrNiMo17-12-2 + HF (1)
4 Disc - seat surfaces	1.0619 + HF (2)	1.4581 + HF (2)
5 Retainer flange	1.0460	1.4401
6 Segmented retainer ring	X20Cr13	1.4401
7 Spacer ring	X20Cr13	1.4401
8 Gasket	S. S. reinforced graphite (3)	S. S. reinforced graphite (3)
9 Bolt	C K35	A2-70
10 Spring	X5CrNiMo17-12-2	X5CrNiMo17-12-2

- (1) On request: faced with Stellite® - Monel® - Hastelloy® - other materials
 (2) On request: faced with Stellite® - Monel® - Hastelloy® - other materials
 (3) On request: Soft iron - Stainless steel

All data, subject to technical changes, are only for information and not for official use.

VALVOSIDER s.r.l. - Via S. Rocco, 2 - P.O. BOX 76 - 13011 Borgosesia (VC) - Italy
 Phone:+39016322991 - Fax: +39016321537 - www.valvosider.com - e-mail: valvo@valvosider.com

LIFT CHECK VALVES - PRESSURE SEAL
'Y' TYPE - DIN PN 100 - 160 - 250 - 320 - 420

VALVOSIDER
 MANUFACTURER OF VALVES

FIG. P182PC - PRESSURE SEAL LIFT CHECK VALVES - 'Y' TYPE - DIN PN 100 - F2

SIZE	50	65	80	100	125	150	200	250	300	350	400	500	600
L BW	300	340	380	430	500	550	650	775	900	1025	1150	1275	1600
L RF	300	340	380	430	500	550	650	775	900	1025	1150	1275	1600
H	230	260	280	330	360	450	520	600	700	--	--	--	--

FIG. P183PC - PRESSURE SEAL LIFT CHECK VALVES - 'Y' TYPE - DIN PN 160 - F8

SIZE	50	65	80	100	125	150	200	250	300	350	400	500	600
L BW	300	360	390	450	525	600	750	900	1050	1200	1350	1650	--
L RF	300	360	390	450	525	600	750	900	1050	1200	1350	1650	--
H	270	285	300	390	410	430	520	60	700	--	--	--	--

FIG. P184PC - PRESSURE SEAL LIFT CHECK VALVES - 'Y' TYPE - DIN PN 250 - F9

SIZE	50	65	80	100	125	150	200	250	300	350	400	500	600
L BW	350	425	470	550	650	750	950	1150	1350	1550	1750	--	--
L RF	350	425	470	550	650	750	950	1150	1350	1550	1750	--	--
H	270	290	310	400	420	440	530	620	720	--	--	--	--

FIG. P185PC - PRESSURE SEAL LIFT CHECK VALVES - 'Y' TYPE - DIN PN 320 - F9

SIZE	50	65	80	100	125	150	200	250	300	350	400	500	600
L BW	350	425	470	550	650	750	950	1150	1350	1550	1750	--	--
L RF	350	425	470	550	650	750	950	1150	1350	1550	1750	--	--
H	270	290	310	400	420	440	530	620	720	--	--	--	--

FIG. P186PC - PRESSURE SEAL LIFT CHECK VALVES - 'Y' TYPE - DIN PN 420 - F9

SIZE	50	65	80	100	125	150	200	250	300	350	400	500	600
L BW	350	425	470	550	650	750	950	1150	1350	1550	1750	--	--
L RF	350	425	470	550	650	750	950	1150	1350	1550	1750	--	--
H	270	290	310	400	420	440	530	620	720	--	--	--	--

features on request

- | | |
|---|---|
| <input type="checkbox"/> DISC WITH PTFE OR RUBBER | <input type="checkbox"/> FLANGED ENDS |
| <input type="checkbox"/> INTEGRAL SEAT | <input type="checkbox"/> RTJ FLANGES |
| <input type="checkbox"/> BY-PASS | <input type="checkbox"/> ANSI CONNECTIONS |
| <input type="checkbox"/> DRAIN PLUG | |

All dimensions in mm (except where differently indicated)

All data, subject to technical changes, are only for information and not for official use.

VALVOSIDER s.r.l. - Via S. Rocco, 2 - P.O. BOX 76 - 13011 Borgosesia (VC) - Italy
 Phone: +39016322991 - Fax: +39016321537 - www.valvosider.com - e-mail: valvo@valvosider.com