

ULTRA STEAM TRAP
TRAP STAR™



TSF-13,13F

Steam trap: lever float type



Realize extra large capacity

YOSHITAKE

STEAM TRAP

TSF-13,13F



- Large discharge capacity is ensured by double-port structure.
- Stable operation is realized by adopting a large-size float.
- All main parts such as valves, seats, air vents and floats are made of stainless steel that offer excellent corrosion resistance and durability.
- By adopting the air vent, to exhaust the air in the steam piping system quickly, significantly shorten the equipment start-up time.

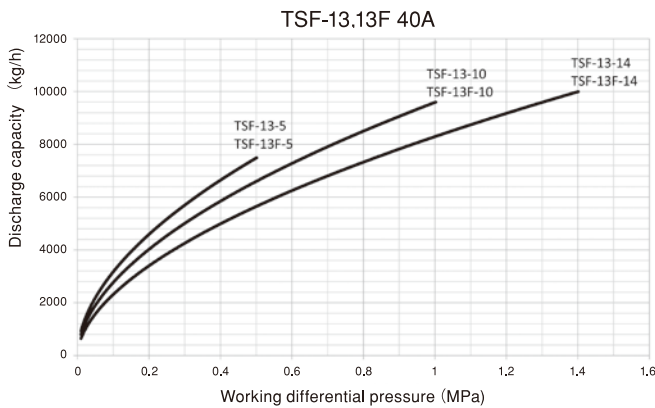
Specifications

Model	TSF-13	TSF-13F	
Nominal size	40A, 50A		
Application	Steam condensate		
Max. working pressure	1.6MPa	1.0MPa	1.6MPa
Max. differential pressure (ΔPMX)	TSF-13-5: 0.5MPa TSF-13-10: 1.0MPa TSF-13-14: 1.4MPa	TSF-13F-5: 0.5MPa TSF-13F-10: 1.0MPa	TSF-13F-5: 0.5MPa TSF-13F-10: 1.0MPa TSF-13F-14: 1.4MPa
Min. differential pressure	0.01MPa		
Max. temperature	220°C		
Material	Body	Ductile cast iron	
	Float	Stainless steel	
	Valve, Valve seat	Stainless steel	
Connection	JIS Rc NPT	JIS10KRF ASME150LB	JIS20KRF EN PN16/25 ASME300LB

※1 Install a strainer (recommended: 80 mesh) at the inlet side to protect TSF-13 from scale or other foreign substances. Due to the double-port structure, foreign substances stuck on the valve and valve seat may cause significant steam leakage.

※Check installation posture. Wrong posture hampers proper operation (Fig.1 is an image of the product steam trap when viewed from the side.) Allowable tilt from horizontal line is within $\pm 5^\circ$. Support the product as needed.

Discharge capacity chart

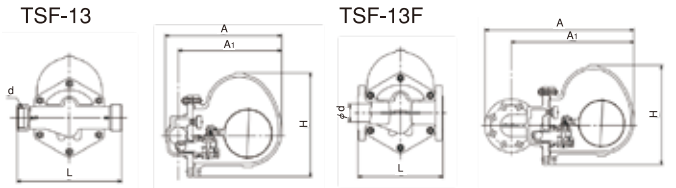


When designing the system, select a steam trap with a sufficient safety factor (more than 2 times of the regular level).

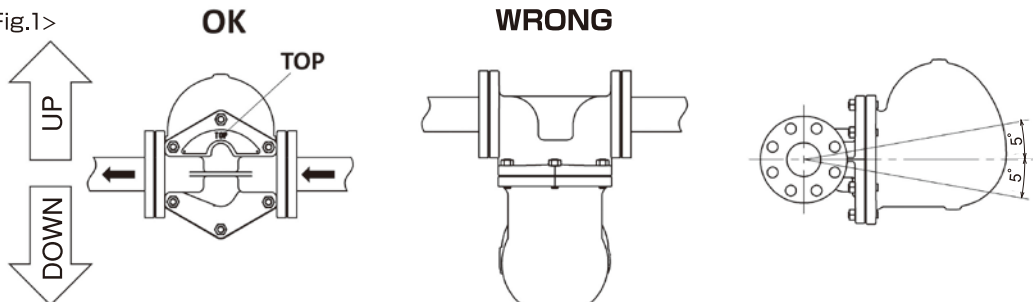
Dimensions and weight

TSF-13		(mm)						
Nominal size	Connection	d	L	A	A1	H	Weight (kg)	
40A	JIS Rc	Rc1 1/2	270	313	281	290	19.0	
50A		Rc 2	300	328	291	290	20.0	

TSF-13F		(mm)						
Nominal size	Connection	d	L	A	A1	H	Weight (kg)	
40A	JIS10KRF/20KRF	40	228	423	353	290	24.0	
	EN PN16/25	40	230	428	353	290	24.5	
	ASME150LB	40	221	416	353	290	23.0	
	ASME300LB	40	221	431	353	290	25.7	
50A	JIS10KRF/20KRF	50	239	436	358	290	25.0	
	EN PN16/25	50	230	441	358	290	25.3	
	ASME150LB	50	220	433	358	290	24.5	
	ASME300LB	50	239	441	358	290	26.8	



Installation method <Fig.1>



YOSHITAKE
www.yoshitake.jp

International department
YWT SALES DIV.

955-5 Miyamae, Irukadeshinden, Komaki, Aichi, 485-0084, Japan
TEL: +81 568 75 4432 FAX: +81 568 75 4763
222 Moo.3 T.Banbueng A.Banbueng Chonburi 20170,Thailand
Phone: 66-038-110-003 FAX:66-038-110-012 E-mail:intnl@yoshitake.co.jp