

| | Size (mm) | |
|----------------|-----------|------|
| | 15A~40A | R |
| 標準 (Standard) | A | 2000 |
| 特殊 (Available) | A | |
| | A | |

| Size | L | H1 | H | B | Flange JIS 10K FF | | | | Weight (kg) |
|------|-----|----|-----|-----|-------------------|-----|----|------|-------------|
| | | | | | D | C | t | n-h | |
| 15A | 126 | 60 | 520 | 160 | 95 | 70 | 16 | 4-15 | 15.0 |
| 20A | 130 | 60 | 520 | 160 | 100 | 75 | 18 | 4-15 | 16.0 |
| 25A | 140 | 70 | 540 | 160 | 125 | 90 | 18 | 4-19 | 18.0 |
| 32A | 150 | 75 | 550 | 160 | 135 | 100 | 20 | 4-19 | 21.0 |
| 40A | 160 | 75 | 550 | 160 | 140 | 105 | 20 | 4-19 | 23.0 |

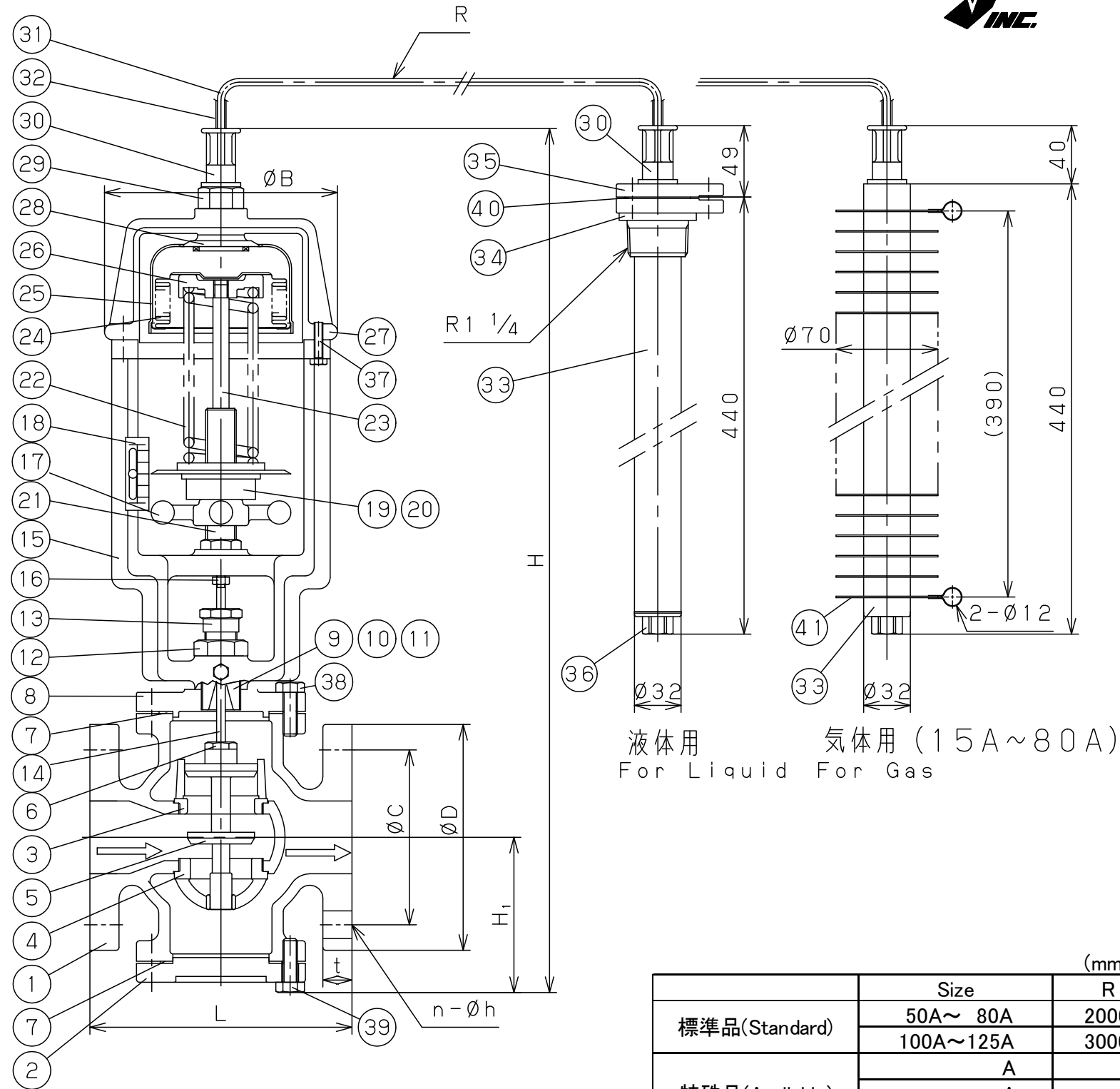
| Specification | |
|-----------------------|-----|
| Fluid | |
| Press. | MPa |
| Temp. | °C |
| Set Temp. | °C |
| Temp.Regulation Range | °C |

| No. | Name of Parts | Material | 部品名 | 材質 | Q.TY |
|-----|------------------------|--------------------|----------|--------------|------|
| 39 | Fin | Stainless Steel | フィン | SUS304 | 1set |
| 38 | Gasket | Non-Asbestos | ガスケット | Non-Asbestos | 1 |
| 37 | Bolt | Rolled Steel | ボルト | SS400 | 1set |
| 36 | Thermal Element Cap | Stainless Steel | 液筒キャップ | SUS304 | 1 |
| 35 | Thermal Element Flange | Stainless Steel | 液筒フランジ | SCS13 | 1 |
| 34 | Screw Flange | Stainless Steel | ねじ込みフランジ | SCS13 | 1 |
| 33 | Pipe | Stainless Steel | 液筒 | SUS304 | 1 |
| 32 | Flexible | Stainless Steel | 蛇管 | SUS304 | 1 |
| 31 | Flexible Tube | Copper | 導管 | C1220 | 1 |
| 30 | Guard Metal Fitting | POM | 保護管 | POM | 2 |
| 29 | Bellows Nut | Rolled Steel | ベローズナット | SS400 | 1 |
| 28 | Bellows Washer | Brass | ベローズ座金 | C3771 | 1 |
| 27 | Bellows Cover | Cast Iron | ベローズカバー | FC200 | 1 |
| 26 | Spring Plate | Cast iron | ばね受 | FC200 | 1 |
| 25 | Washer of Bellows | Brass | ベローズ受 | C1020 | 1 |
| 24 | Bellows | Phospher Bronze | ベローズ | C5212 | 1 |
| 23 | Spindle | Brass | スピンドル | C3604 | 1 |
| 22 | Spring | Alloy Steel or ITW | 調節ばね | SWOSM or SWI | 1 |
| 21 | Adjusting Screw | Bronze | 調節ねじ | CAC406 | 1 |
| 20 | Bearing | Bearing Steel | ベアリング | SUJ2 | 1 |
| 19 | Bearing Cover | Carbon Steel | ベアリングカバー | SPC | 1 |
| 18 | Division Plate | Brass | 目盛板 | C2600 | 1 |
| 17 | Handle | Cast Iron | ハンドル | FC200 | 1 |
| 16 | Lock Nut | Brass | ロックナット | C3604 | 1 |
| 15 | Frame | Cast Iron | 枠 | FC200 | 1 |
| 14 | Spindle | Stainless Steel | 弁棒 | SUS304 | 1 |
| 13 | Cap Nut | Brass | 袋ナット | C3604 | 1 |
| 12 | Nut | Rolled Steel | ナット | SS400 | 1 |
| 11 | Spring | Stainless Steel | ばね | SUS304 | 1 |
| 10 | Gland Packing | PTFE | グランドパッキン | PTFE | 3 |
| 9 | Top Cover | Brass | 上部カバー | C3771 | 1 |
| 7 | Gasket | Non-Asbestos | ガスケット | Non-Asbestos | 2 |
| 6 | Spindle Joint | Brass | 弁棒継手 | C3604 | 1 |
| 5 | Valve | Phospher Bronze | 弁体 | CAC502A | 1 |
| 4 | Under Valve Seat | Phospher Bronze | 下部弁座 | CAC502A | 1 |
| 3 | Top Valve Seat | Phospher Bronze | 上部弁座 | CAC502A | 1 |
| 2 | Bottom Cover | Brass | 下部カバー | C3771 | 1 |
| 1 | Body | Cast Iron | 本体 | FC200 | 1 |

TYPE OB-2G TEMPERATURE REGULATOR
温度調整弁

| | |
|-------------|-------------|
| Approval | M. Kume |
| Check | Y. Aoyama |
| Drawing | M. Yoshida |
| Drawing No. | Y-0073-0305 |
| Date | 19 JUN.2009 |





液体用 気体用 (15A~80A)
For Liquid For Gas

| | Size | R |
|----------------|-----------|------|
| 標準品(Standard) | 50A~ 80A | 2000 |
| | 100A~125A | 3000 |
| 特殊品(Available) | A | |
| | A | |
| | A | |

| Size | L | H1 | H | B | Flange JIS 10K FF | | | | Weight (kg) |
|------|-----|-----|-----|-----|-------------------|-----|----|------|-------------|
| | | | | | D | C | t | n-h | |
| 50A | 180 | 110 | 620 | 160 | 155 | 120 | 20 | 4-19 | 29.0 |
| 65A | 215 | 125 | 650 | 160 | 175 | 140 | 22 | 4-19 | 38.0 |
| 80A | 260 | 135 | 670 | 160 | 185 | 150 | 22 | 8-19 | 48.0 |
| 100A | 300 | 160 | 750 | 180 | 210 | 175 | 24 | 8-19 | 58.0 |
| 125A | 360 | 190 | 810 | 180 | 250 | 210 | 24 | 8-23 | 76.0 |

| Specification | |
|-----------------------|-----|
| Fluid | |
| Press. | MPa |
| Temp. | °C |
| Set Temp. | °C |
| Temp.Regulation Range | °C |

| 41 | Fin | Stainless Steel | フィン | SUS304 | 1set |
|-----|------------------------|--------------------|----------|--------------|------|
| 40 | Gasket | Non-Asbestos | ガスケット | Non-Asbestos | 1 |
| 39 | Bolt | Rolled Steel | ボルト | SS400 | 1set |
| 38 | Bolt | Rolled Steel | ボルト | SS400 | 1set |
| 37 | Bolt | Rolled Steel | ボルト | SS400 | 1set |
| 36 | Cap | Stainless Steel | 液筒キャップ | SUS304 | 1 |
| 35 | Thermal Element Flange | Stainless Steel | 液筒フランジ | SCS13 | 1 |
| 34 | Screw Flange | Stainless Steel | ねじ込みフランジ | SCS13 | 1 |
| 33 | Pipe | Stainless Steel | 液筒 | SUS304 | 1 |
| 32 | Flexible | Stainless Steel | 蛇管 | SUS304 | 1 |
| 31 | Flexible Tube | Copper | 導管 | C1220 | 1 |
| 30 | Guard Metal Fitting | POM | 保護管 | POM | 2 |
| 29 | Bellows Nut | Rolled Steel | ベローズナット | SS400 | 1 |
| 28 | Bellows washer | Brass | ベローズ座金 | C3771 | 1 |
| 27 | Bellows Cover | Cast Iron | ベローズカバー | FC200 | 1 |
| 26 | Spring Plate | Cast Iron | ばね受 | FC200 | 1 |
| 25 | Washer of Bellows | Brass | ベローズ受 | C1020 | 1 |
| 24 | Bellows | Phosphor Bronze | ベローズ | C5212 | 1 |
| 23 | Spindle | Brass | スピンドル | C3604 | 1 |
| 22 | Spring | Alloy Steel or ITW | 調節ばね | SWOSM or SWI | 1 |
| 21 | Adjusting Screw | Bronze | 調節ねじ | CAC406 | 1 |
| 20 | Bearing | Bearing Steel | ベアリング | SUJ2 | 1 |
| 19 | Bearing Cover | Carbon Steel | ベアリングカバー | SPC | 1 |
| 18 | Division Plate | Brass | 目盛板 | C2600 | 1 |
| 17 | Handle | Cast Iron | ハンドル | FC200 | 1 |
| 16 | Lock Nut | Brass | ロックナット | C3604 | 1 |
| 15 | Frame | Cast Iron | 枠 | FC200 | 1 |
| 14 | Spindle | Stainless Steel | 弁棒 | SUS304 | 1 |
| 13 | Cap Nut | Brass | 袋ナット | C3604 | 1 |
| 12 | Nut | Rolled Steel | ナット | SS400 | 1 |
| 11 | Spring | Stainless Steel | ばね | SUS304 | 1 |
| 10 | Gland Packing | PTFE | グランドパッキン | PTFE | 3 |
| 9 | Screw | Brass | 元ねじ | C3771 | 1 |
| 8 | Top Cover | Cast Iron | 上部カバー | FC200 | 1 |
| 7 | Gasket | Non-Asbestos | ガスケット | Non-Asbestos | 2 |
| 6 | Spindle Joint | Brass | 弁棒継手 | C3604 | 1 |
| 5 | Valve | Phosphor Bronze | 弁体 | CAC502A | 1 |
| 4 | Under Valve Seat | Phosphor Bronze | 下部弁座 | CAC502A | 1 |
| 3 | Top Valve Seat | Phosphor Bronze | 上部弁座 | CAC502A | 1 |
| 2 | Bottom Cover | Cast Iron | 下部カバー | FC200 | 1 |
| 1 | Body | Cast Iron | 本体 | FC200 | 1 |
| No. | Name of Parts | Material | 部品名 | 材質 | Q.TY |

TYPE OB-2G TEMPERATURE REGULATOR
温度調整弁

| | |
|-------------|--------------|
| Approval | M. Kume |
| Check | Y. Aoyama |
| Drawing | M. Yoshida |
| Drawing No. | Y-0073-0305 |
| Date | 24 NOV. 2009 |

