

Accessory Parts  
付属部品

14	Sensing Pipe	Copper	検出管	C1220	1
13	Sensing Pipe Joint	Brass	検出管継手	C3604	2
12	Elbow	Brass	エルボー	C3771	1
11	Tee	Brass	ティー	C3771	1
10	Joint	Brass	継手	C3604	2
9	Pipe D	Copper	導管D	C1220	1
8	Pipe C	Copper	導管C	C1220	1
7	Pipe B	Copper	導管B	C1220	1
6	Pipe A	Copper	導管A	C1220	1
5	Tee Elbow	Brass	ティーエルボー 1/4	C3771	1
4	Long Nipple	Carbon Steel	ロングニップル 1/4	STPG	1
3	Pilot Valve DP-11A (With Terminal Box)	Brass	子弁 DP-11A (端子箱付)	C3771	1
2	Pilot Valve GP-2000BP	Ductile Cast Iron	子弁 GP-2000BP	FCD450	1
1	Main Valve GPM-2000	Ductile Cast Iron	親弁 GPM-2000	FCD450	1
No.	Name of Parts	Material	部品名	材質	Q. TY

Size	d	L	H <sub>1</sub>	H	A	E	F	Weight (kg)
15A	Rc 1/2	150	170	398	200	155	191	14.9
20A	Rc 3/4	150	170	398	200	155	191	14.9
25A	Rc 1	160	175	404	226	156	195	19.2
32A	Rc 1 1/4	180	192	434	226	165	204	22.4
40A	Rc 1 1/2	180	192	434	226	165	204	22.4
50A	Rc 2	230	216	498	276	170	211	33.9

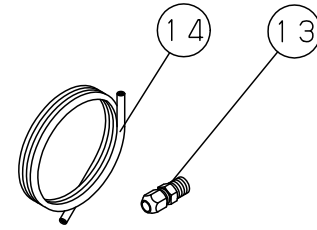
Specification	
Fluid	
Inlet Press.	MPa
Reduced Press.	MPa
Temp.	℃
Voltage	V
Operation	
Flow Rate	

TYPE CP-2002 COMBINATION VALVE

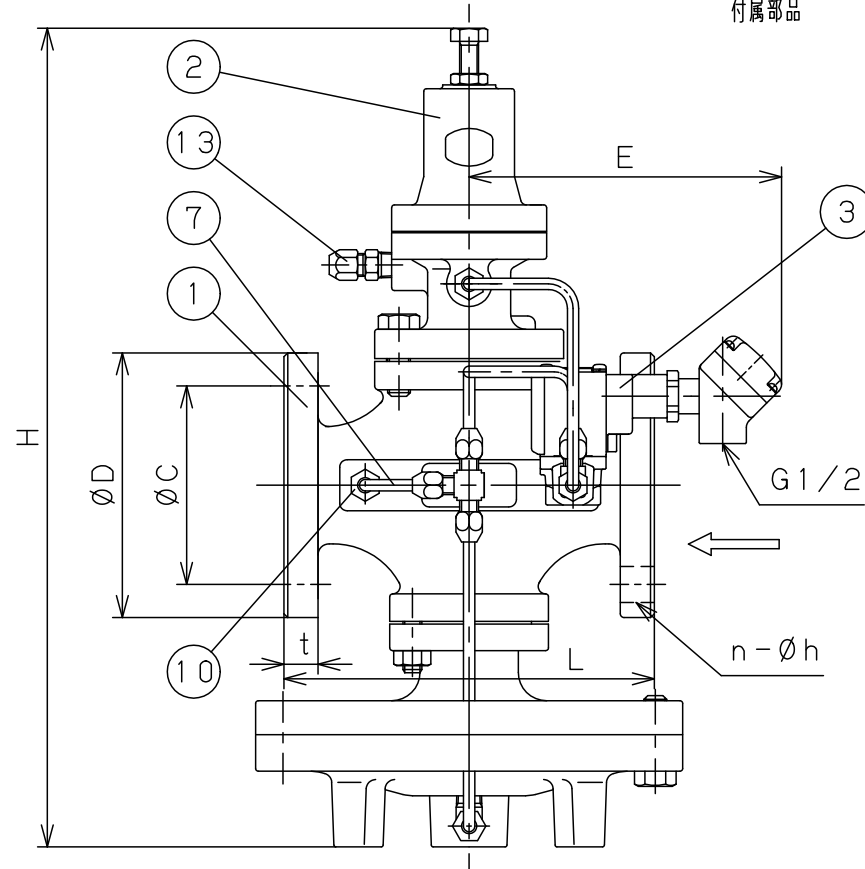
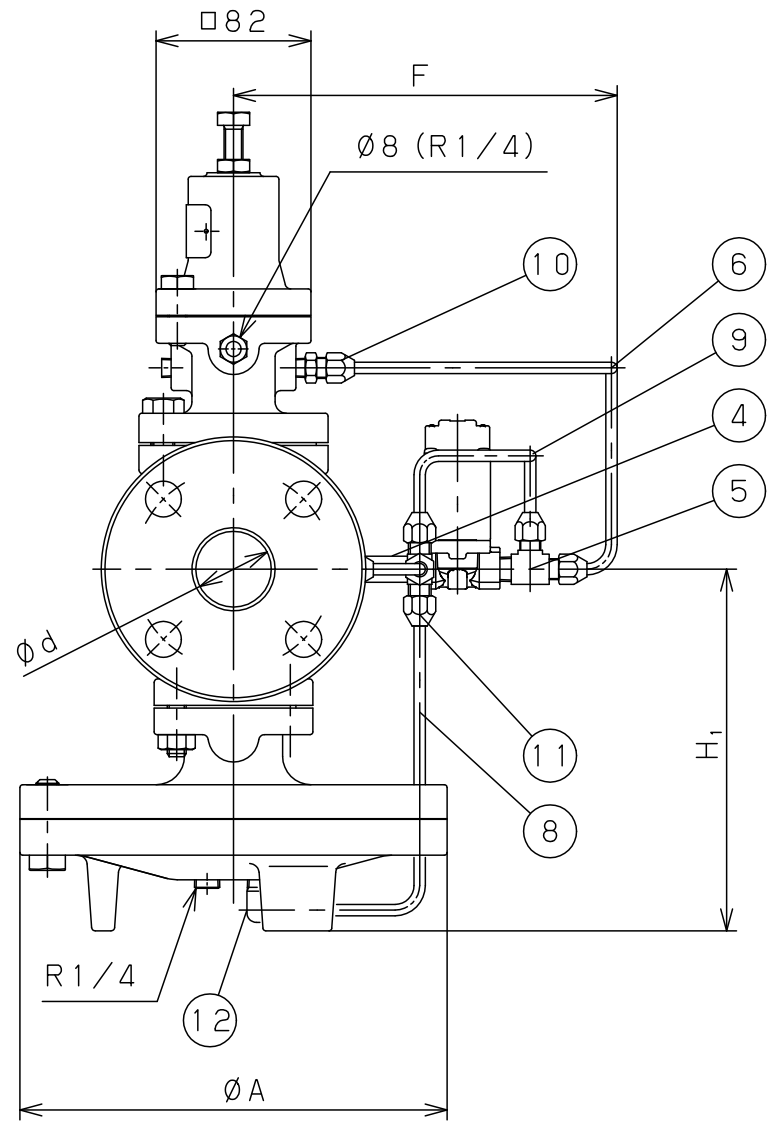
コンビネーションバルブ

Approval	H. Iwamoto
Check	M. Yoshida
Drawing	Y. Aoyama
Drawing No.	Y-785-2201-1A
Date	14 DEC.2012





Accessory Parts  
付属部品



14	Sensing Pipe	Copper	検出管	C1220	1
13	Sensing Pipe Joint	Brass	検出管継手	C3604	2
12	Elbow	Brass	エルボー	C3771	1
11	Tee	Brass	ティー	C3771	1
10	Joint	Brass	継手	C3604	2
9	Pipe D	Copper	導管D	C1220	1
8	Pipe C	Copper	導管C	C1220	1
7	Pipe B	Copper	導管B	C1220	1
6	Pipe A	Copper	導管A	C1220	1
5	Tee Elbow	Brass	ティーエルボー 1/4	C3771	1
4	Long Nipple	Carbon Steel	ロングニップル 1/4	STPG	1
3	Pilot Valve DP-11A (With Terminal Box)	Brass	子弁 DP-11A (端子箱付)	C3771	1
2	Pilot Valve GP-2000BP	Ductile Cast Iron	子弁 GP-2000BP	FCD450	1
1	Main Valve GPM-2000	Ductile Cast Iron	親弁 GPM-2000	FCD450	1
No.	Name of Parts	Material	部品名	材質	Q. TY

Size	L	H <sub>i</sub>	H	A	E	F	Flange JIS 10K FF					Weight (kg)
							d	D	C	t	n-h	
15A	142	170	398	200	155	191	15	95	70	12	4-15	16.2
20A	142	170	398	200	155	191	20	100	75	14	4-15	16.7
25A	152	175	404	226	156	195	25	125	90	14	4-19	21.6
32A	172	192	434	226	165	204	32	135	100	16	4-19	24.5
40A	192	192	434	226	165	204	40	140	105	16	4-19	25.0
50A	218	216	498	276	170	211	50	155	120	16	4-19	36.4
65A	278	251	552	352	185	228	65	175	140	18	4-19	64.7
80A	294	264	575	352	190	239	80	185	150	18	8-19	69.8
100A	330	321	658	401	215	256	100	210	175	18	8-19	107.9

Specification	
Fluid	
Inlet Press.	MPa
Reduced Press.	MPa
Temp.	℃
Voltage	V
Operation	
Flow Rate	

TYPE CP-2002 COMBINATION VALVE

コンビネーションバルブ

Approval	H. Iwamoto
Check	M. Yoshida
Drawing	Y. Aoyama
Drawing No.	Y-785-2205-1A
Date	17 DEC. 2012

