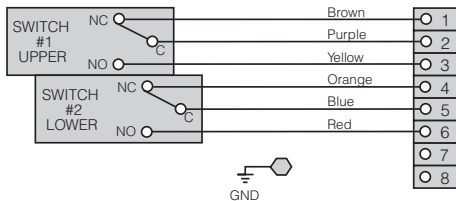


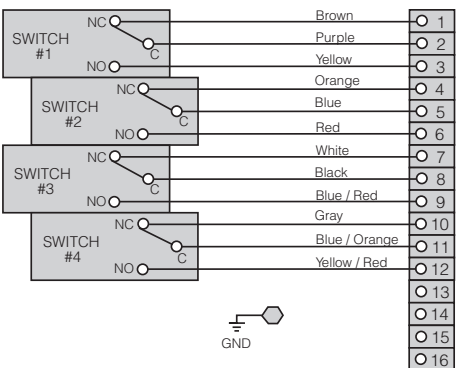


SPDT Switch V3 - Mechanical

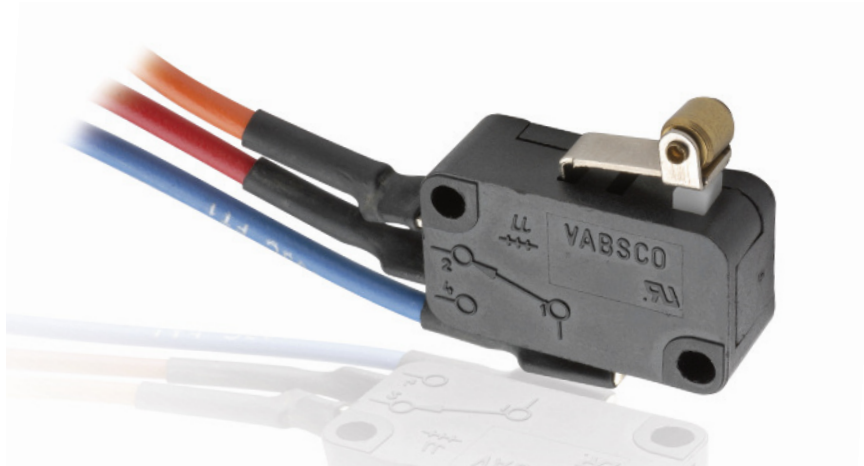
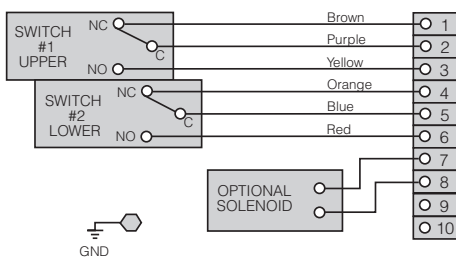
2 - SPDT Mechanical Switches with 8 Point Terminal Strip



4 - SPDT Mechanical Switches with 16 Point Terminal Strip



2 - SPDT Mechanical Switches with Solenoid and 10 Point Terminal Strip



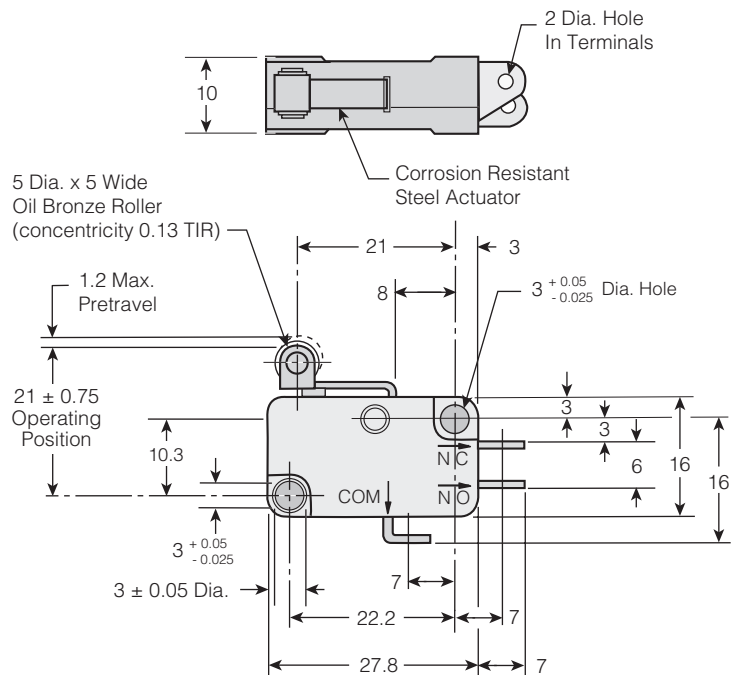
Technical Data

Operating Force	150 Gram Max.
Release Force	15 Gram Min.
Differential Travel	0.05 - 0.25 mm
Overtravel	0.039 in [1 mm]

Electrical Rating

Contact Arrangement	SPDT, Form C (Normally Open)
	15 amps/125/250 VAC
	6 amps/24 VDC
	0.5 amps/125 VDC
	0.25 amps/250 VDC

Dimensions [mm]



Westlock is either a trademark or registered trademark of Tyco International Services AG or its affiliates in the United States and/or other countries. All other brand names, product names, or trademarks belong to their respective holders.