

**ACCUTRAK™ 1040/9358/9044/9467 ROTARY POSITION MONITORS**  
WEATHERPROOF – NEMA

Weatherproof rotary position monitors with the option of high-performance resin, powder-coated aluminium and stainless steel enclosures. Impervious to moisture, chemicals and solvents, they offer a range of switching options



**FEATURES**

**Models 1040/9358/2004/9044/9467**

- Touch set cams are hand adjustable, spring loaded and self-locking providing quick calibration of position switches and sensors.
- Terminal strips are pre-wired and numbered with generous working space for ease of use.
- Strong durable Beacon™ offers 360° visual indication available in a choice of styles and colors.
- Additional conduit for easy field wiring and mounting accessories as standard.
- Standardized mounting pattern for easy adaptation to common bracketry.
- NAMUR shaft output compliant to VDI/VDE 3845 available.
- 4-20 mA position transmitter option.
- Engineered resin enclosure is robust yet lightweight; allows broad operating temperatures and provides exceptional chemical, UV and impact resistance.
- Aluminum enclosures with ultra-low copper content (0.2% maximum) ensure robust performance in corrosive environments.
- Heavy Duty 316 stainless steel enclosure available.

**TECHNICAL DATA**

**Agency approvals**

Enclosure standards (ANSI/NEMA 250)

Models 1040, 9358, 2004, 9044, 9467 NEMA 4, 4X

Switches

Models 1040 V3 mechanical, SPDT

Model 2004 V3 mechanical, SPDT

DPDT (Form CC) mechanical

Model 9358 Magnum (hermetically sealed proximity type) switches

Model 9044 Magnum (hermetically sealed proximity type) switches

MagPAC bifurcated switch pack

Model 9467 V3 mechanical, SPDT

V3 mechanical, gold plated contacts, SPDT

DPDT (Form CC) mechanical

**Enclosures**

Models 1040, 9358 Engineered resin

Models 2004, 9044 Aluminum

Model 9467 Engineered resin, Stainless steel (option)

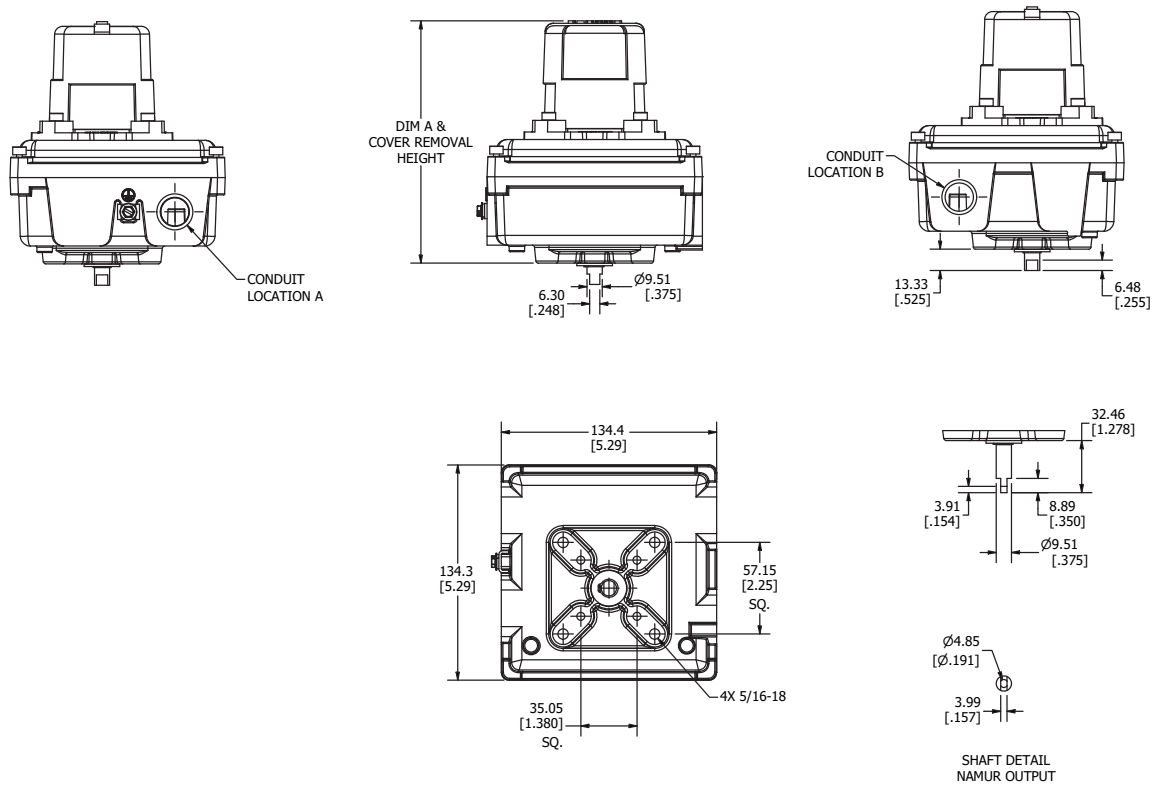
**GENERAL APPLICATION**

AccuTrak position monitors are ideal for manual and automated rotary valves. They provide consistent and accurate valve monitoring in a compact unit which can be mounted directly or via a valve actuator.

# ACCUTRAK™ 1040/9358/9044/9467 ROTARY POSITION MONITORS

## WEATHERPROOF – NEMA

### MODELS 2004/9044 DIMENSIONS



Dimensions in inches, where available metric dimension (mm) in parentheses

### TECHNICAL SPECIFICATIONS

#### Materials of construction

Enclosure	Aluminum with powder coat finish
Shaft and hardware	Stainless steel
Bushing	Oil impregnated bronze
Beacon visual indicator	Co-polyester

#### Drive shaft

Standard	Double-D with ¼" A/F
Option	NAMUR standard VDI/VDE 3845

#### Available switches

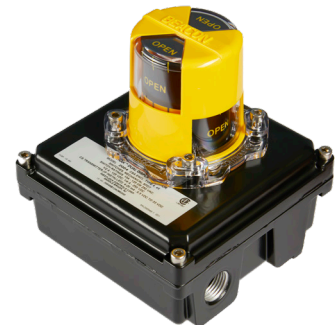
Model 2004	V3 mechanical switches, SPDT DPDT (Form CC) mechanical switches
Model 9044	Magnum, SPDT hermetically sealed switches with tungsten contacts Magnum, SPDT hermetically sealed switches with rhodium contacts MagPAC bifurcated switch pack

#### Options

4-20 mA Position Transmitter
Stainless steel enclosure

### NOTES

1. See selection guide for standard conduit entries.
2. See switches and sensors data sheet for further information.
3. Please consult your sales office for any other requirements.



# ACCUTRAK™ WEATHERPROOF ROTARY POSITION MONITORS

## MODELS 9358/9044 SELECTION GUIDE

Base model	
9358	Engineered Resin Enclosure
9044	Aluminum Enclosure
Shaft output	
S	Standard (Double-D with 1/4" Flats)
D	Direct mount to Keystone F89 actuators
N	NAMUR
Beacon	
BY	BM2-Y (Black Open/Yellow Closed - Standard)
RG	BM2-RG (Red Closed/Green Open)
FE	BM2-Y-FE (French/English)
B1	BM3-1 (3-way B1 Flowpath)
B3	BM3-3 (3-way B3 Flowpath)
B5	BM3-5 (3-way B5 Flowpath)
B7	BM3-7 (3-way B7 Flowpath)
B9	BM3-9 (3-way B9 Flowpath)
LP	BM2-Y-LP (Low Profile Standard)
FC	Flat Cover
Conduit	
2A	Two 1/2" NPT (F)
Position switches	
2M06	Two SPDT Magnum Switches - 8 pt. Terminal Strip
2M12	Two SPDT Magnum Switches with Rhodium Contacts - 8 pt. Terminal Strip
2M13	MagPAC Module (Two SPST Bifurcated Switches with LEDs; (Only Available for 9044)
Position Transmitter	
00	Not available
DS	4-20 mA Digital Signal Position Transmitter - 12 pt. Terminal Strip
Unit Specialty Code <i>(leave blank for standard builds)</i>	
00124	316 Stainless Steel Enclosure (for 9044 Only)
00710	12 - pt. Terminal Strip
01351	SIL 3 - some restrictions may apply; consult Sales
000BR	For Brazilian Approvals refer to OG-BRZ-024
<b>9044</b>	<b>N</b>
<b>N</b>	<b>BY</b>
<b>BY</b>	<b>2A</b>
<b>2A</b>	<b>2M13</b>
<b>2M13</b>	<b>00</b>
<b>00</b>	
= Model number <b>9044NBY2A2M1300</b>	

### NOTES

For 120 VAC service, M13 (MagPAC) is recommended  
 For 24 VDC service below 1 watt, M12 (Rhodium Magnum Switches) or M13 (MagPAC) is recommended  
 For 24 VDC service above 1 watt, M06 (Tungsten Magnum Switches) or M13 (MagPAC) is recommended  
 Please contact your sales office for guidance on selecting the best possible combination for your control and monitoring requirements.  
 See Hazardous area classification technical bulletin for further information on global standards.