

ACCUTRAK™ ROTARY POSITION MONITORS MODELS 2007/9479/360/366
EXPLOSIONPROOF/FLAMEPROOF

Fully integrated and encapsulated rotary valve position monitors that are certified for use in explosive atmospheres.



FEATURES

- Touch set cams are hand adjustable, spring loaded and self-locking providing quick calibration of position switches and sensors.
- Terminal strips are pre-wired and numbered with generous working space for ease of use.
- Strong durable Beacon™ offers 360° visual indication in a choice of styles and colors.
- Additional conduit for easy field wiring and mounting accessories as standard.
- Standardized mounting pattern for easy adaptation to common bracketry.
- NAMUR shaft output compliant to VDI/VDE 3845 available.
- Analog position transmitter options.
- Eliminator option for easy integration of external solenoid valve.
- Aluminum enclosures with ultra-low copper content (0.2% maximum) ensure robust performance in corrosive environments.
- Rugged stainless steel enclosures.

TECHNICAL DATA

Agency approvals

Explosionproof/flameproof
Models 2007/9479

Intertek ATM:103627517CRT-001
Cl. I, Div. 1, Groups C & D; T*
Cl. II, Div. 1, Groups E, F & G; T*
Tamb: -*°C to +*°C¹
IP66/67
II 2 G Ex db IIB+H2 T* Gb Ta= -*°C to +*°C
II 2 D Ex td IIIC T* Db Ta= -*°C to +*°C, IP6X
ITS12ATEX17472X
IECEX ETL17.0008X
NCC 16.0122X

Model 360/366

Intertek ATM: 104050146CRT-001
Cl. I, Div. 1, Groups A², B, C & D; T*
Class II/III, Division 1, Groups E, F & G; T*
NI, Cl. I, Div. 2, Groups A, B, C, D; T*
6P

Enclosure standards

All enclosures

Switches**

Magnum/MagPAC

V3 (SPDT) & DPDT mechanical

Pepperl + Fuchs model NJ2-V3-N

Enclosures

Aluminum

Stainless steel

Type 4, 4X

GENERAL APPLICATION

AccuTrak position monitors are ideal for manual and automated rotary valves. They provide consistent and accurate valve monitoring in a compact unit which can be mounted directly or via a valve actuator.

NOTES

¹ This information can change depending on the construction, refer to the certification.

² Solenoid option not available

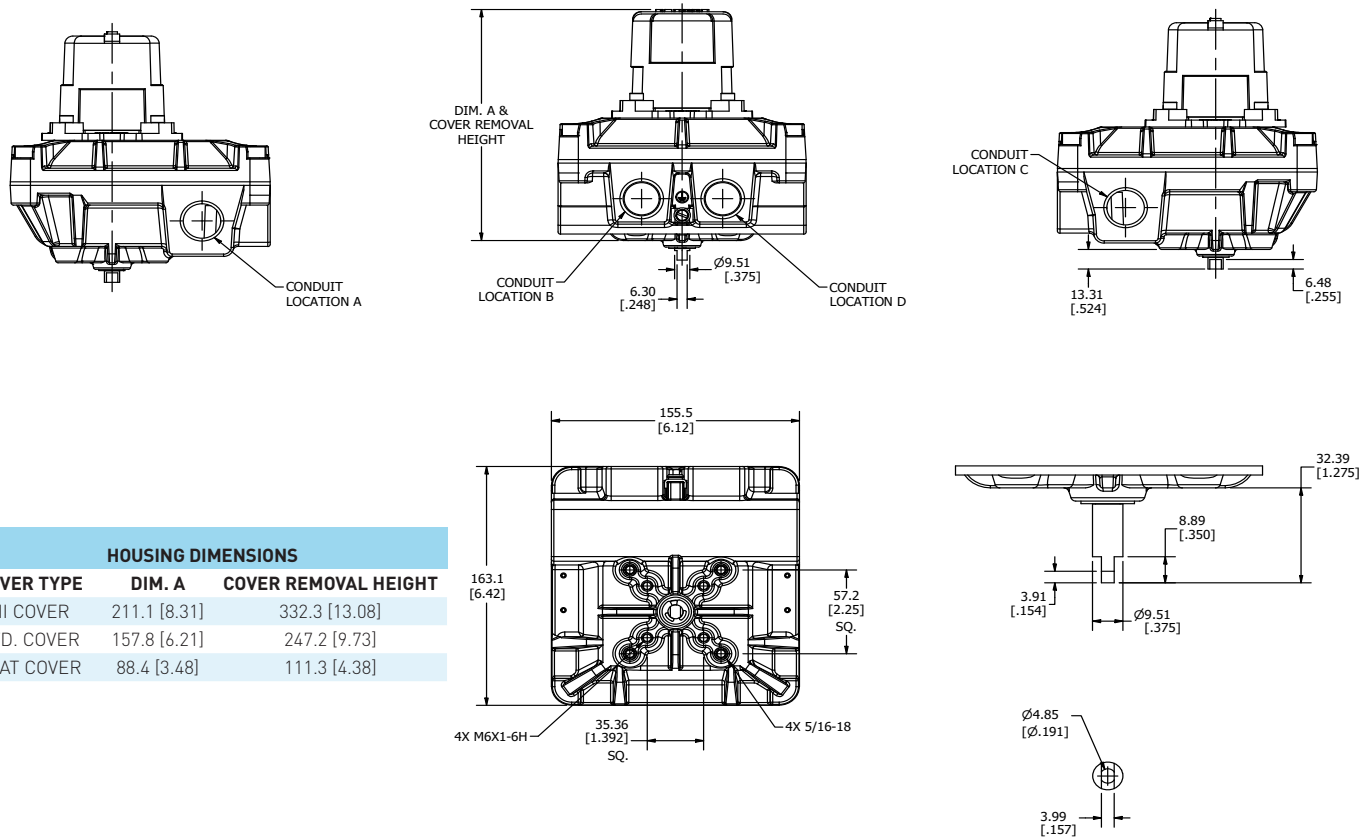
*Ambient temperature depend on configuration, see product certificate for details

**Refer to ordering guides for switch options

ACCUTRAK™ ROTARY POSITION MONITORS

EXPLOSIONPROOF

MODELS 2007/9479 DIMENSIONS



Dimensions in inches, where available metric dimension (mm) in parentheses

TECHNICAL SPECIFICATIONS

Materials of construction

Enclosure	Aluminum with powder coat finish
Shaft and hardware	Stainless steel
Bushing	Oil impregnated bronze
Beacon visual indicator	Co-polyester

Drive shaft

Westlock standard	Double-D with 1/4" A/F
NAMUR standard	NAMUR standard VDI/VDE 3845

Available switches

	V3 mechanical switches, SPDT
	DPDT (Form CC) mechanical switches
	Pepperl + Fuchs model NJ2-V3-N
	Magnum (hermetically sealed proximity type)
	MagPAC bifurcated switch pack (9479 ONLY)

Options

	Stainless steel enclosure
	4-20 mA position transmitter

NOTES

1. See selection guide for standard conduit entries
2. See switches & sensors data sheet for further information
3. A specialist eliminator fitting is available for the mounting of an aftermarket solenoid valve
4. Please consult your sales office for any other requirements



ACCUTRAK™ EXPLOSIONPROOF ROTARY POSITION MONITORS

MODEL 2007 SELECTION GUIDE

Base model						
2007	Aluminum enclosure					
Shaft output						
S	Standard (Double-D with 1/4" Flats)					
D	Direct mont to Keystone F89 actuators					
N	NAMUR					
Beacon						
BY	BM2-Y (Standard)					
RG	BM2-RG (Red Closed/Green Open)					
FE	BM2-Y-FE (French/English)					
LP	BM2- Y-LP (Low Profile Standard)					
B1	BM3-1 (3-way B1 Flowpath)					
B3	BM3-3 (3-way B3 Flowpath)					
B5	BM3-5 (3-way B5 Flowpath)					
B7	BM3-7 (3-way B7 Flowpath)					
B9	BM3-9 (3-way B9 Flowpath)					
FC	Flat cover - not available with switch options requiring high cover					
Conduit						
2B	Two 3/4" NPT (F) - not permitted with switch options 6M02 or 4M04					
4B	Four 3/4" NPT (F)					
4E	Two 3/4" NPT (F), One 1/2" NPT (F) & One 1/2" NPT (M) Global Eliminator Fitting*					
4F	Two 3/4" NPT (F) & Two 1/2" NPT (M) Global Eliminator Fittings*					
EA	Two 3/4" NPT (F) & Two 1/2" NPT (F)					
2M	Two M20 (F) - not permitted with switch options 6M02 or 4M04					
4M	Four M20 (F)					
Position switches						
2M02	Two SPDT Mechanical Switches - 8 pt. Terminal Strip					
4M02	Four SPDT Mechanical Switches - 16 pt. Terminal Strip					
6M02	Six SPDT Mechanical Switches - 24 pt. Terminal Strip, High Cover, 4 Conduits					
2M04	Two DPDT Mechanical Switches - 16 pt. Terminal Strip					
4M04	Four DPDT Mechanical Switches - 24 pt. Terminal Strip, High Cover, 4 Conduits					
Position Transmitter						
00	None					
DS	4-20 mA Digital Signal Position Transmitter - 12 pt. Terminal Strip w/ 2M02 OR 16 pt. Terminal Strip, High Cover w/ 2M04, 4M02					
Unit Specialty Codes (leave blank for standard builds)						
M0000	INMETRO Certification					
00124	316 Stainless Steel Enclosures					
00692	**120 VAC Heater Resistor					
00710	12 pt. Terminal Strip					
00816	**24 VDC Heater Resistor					
01351	SIL 3 - some restrictions may apply; consult Sales					
2007	N	BY	2B	2M02	DS	= Model number 2007NBY2B2M0200DS

ORDERING NOTES

*Eliminator Fitting is 1/2" NPT (M) for the purpose of mounting an after market solenoid valve.

For INMETRO replace first digit of the speciality code with M; For e.g. 2007NBY2B2M02DSM**0124

***T Ratings for optional heater resistors changes to T2C.